

SONY®

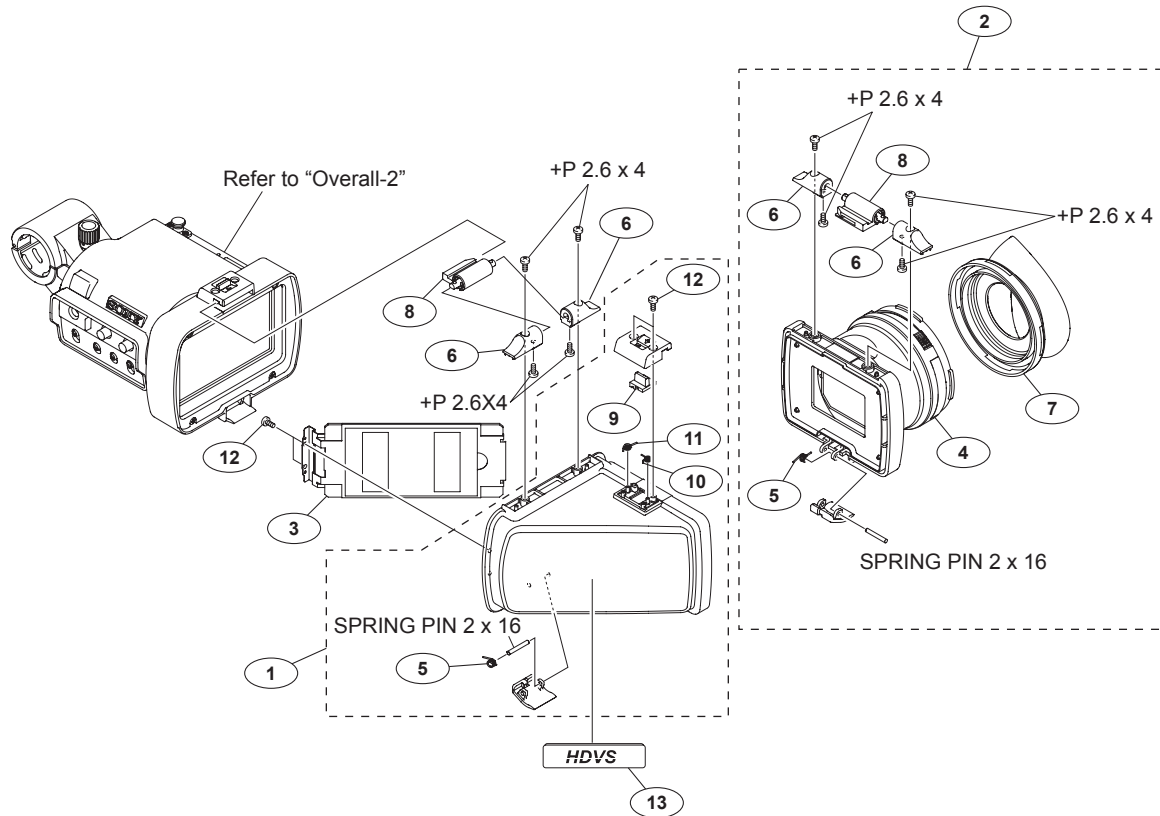
HD ELECTRONIC VIEWFINDER

CBK-VF01

MAINTENANCE MANUAL

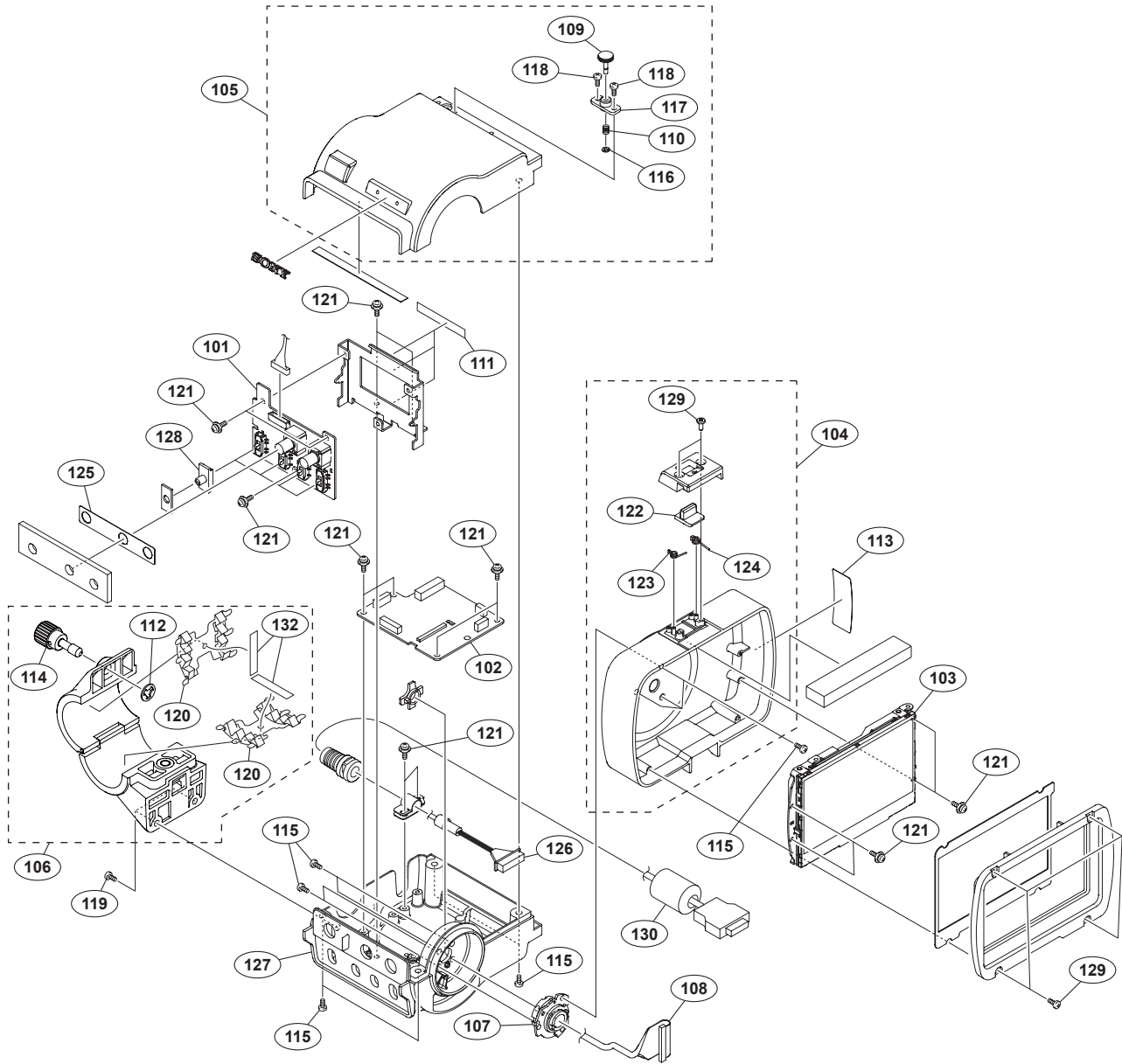
1st Edition

3-2. Exploded Views



No.	Part No.	SP Description
1	A-1752-655-A s	ELBOW SUB ASSY
2	A-1752-761-A s	LOUPE ASSY
3	X-2541-756-2 s	MIRROR ASSY
4	1-856-060-12 s	LOUPE, VF
5	3-878-206-02 s	SPRING ,TORSION COIL
6	3-878-207-01 s	BLOCK,SHAFT FIXED
7	3-878-208-02 s	EYE CUP
8	3-878-209-02 s	HINGE, SWITCHING
9	3-878-231-11 s	SW SLIDE
10	3-878-232-11 s	SPRING (A90), TORSION COIL
11	3-878-233-11 s	SPRING (A-70),TORSION COIL
12	4-654-273-02 s	ACE (M2), LOCK
13	4-287-155-01 s	LABEL, HDVS

7-621-775-10 s SCREW +P 2.6X4
 7-626-314-31 s SPRING PIN 2X16



No.	Part No.	SP Description	No.	Part No.	SP Description
101	A-1741-537-A	s MOUNTED CIRCUIT BOARD, SW-1472	116	3-669-465-01	s WASHER (1.5), STOPPER
102	A-1771-390-A	s MOUNTED CIRCUIT BOARD, IF-1125 (RP)	117	3-710-008-11	s HOUSING, STOPPER
103	A-1748-439-A	s 3.5 INCH LCD ASSY	118	3-719-381-02	s SCREW (M2X4)
104	A-1752-654-A	s CASE ASSY, LCD	119	3-742-074-13	s SCREW (+B 3X8)
105	A-1752-757-A	s CASE ASSY, UPPER	120	3-854-132-01	s GEL, MIC
106	A-1511-856-B	s MIC HOLDER ASSY (SERVICE)	121	3-855-938-01	s SCREW
107	X-2318-442-1	s HINGE ASSY	122	3-878-231-11	s SW SLIDE
108	1-967-038-11	s HARNESS (IF-LCD2)	123	3-878-232-11	s SPRING (A90), TORSION COIL
109	2-277-457-11	s KNOB, STOPPER	124	3-878-233-11	s SPRING (A-70), TORSION COIL
110	2-277-466-11	s SPRING, COMPRESSION	125	3-878-235-01	s PLATE, BLIND
111	3-079-115-01	s TAPE AS	126	1-837-530-11	s CORD, CONNECTION (VF)
112	3-165-904-01	s WASHER, SCREW STOPPER	127	4-169-158-03	s CASE, LOWER
113	3-602-979-02	s LABEL, CAUTION	128	4-169-160-02	s SW, SLIDE
114	3-633-916-01	s SCREW (M5)	129	4-654-273-02	s ACE (M2), LOC
115	3-637-901-11	s SCREW M2.6X5	130	1-469-969-11	s CLAMP, FERRITE
			132	3-941-343-01	s TAPE (A)