

**SONY**<sup>®</sup>

OLED VIEWFINDER

**DVF-EL200**

VIEWFINDER CABLE AND ATTACHMENT

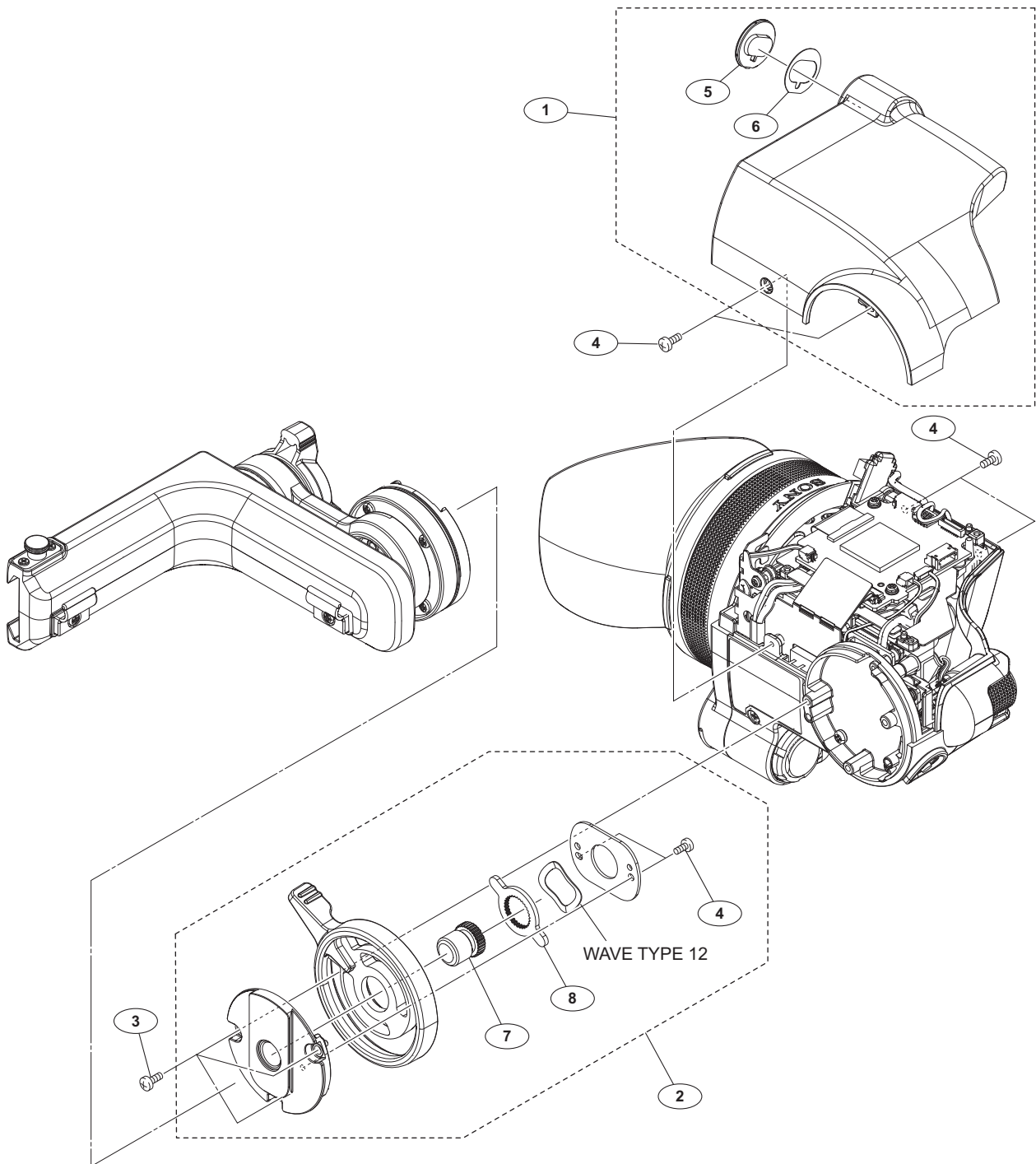
**CBK-55AT**

SERVICE MANUAL

1st Edition

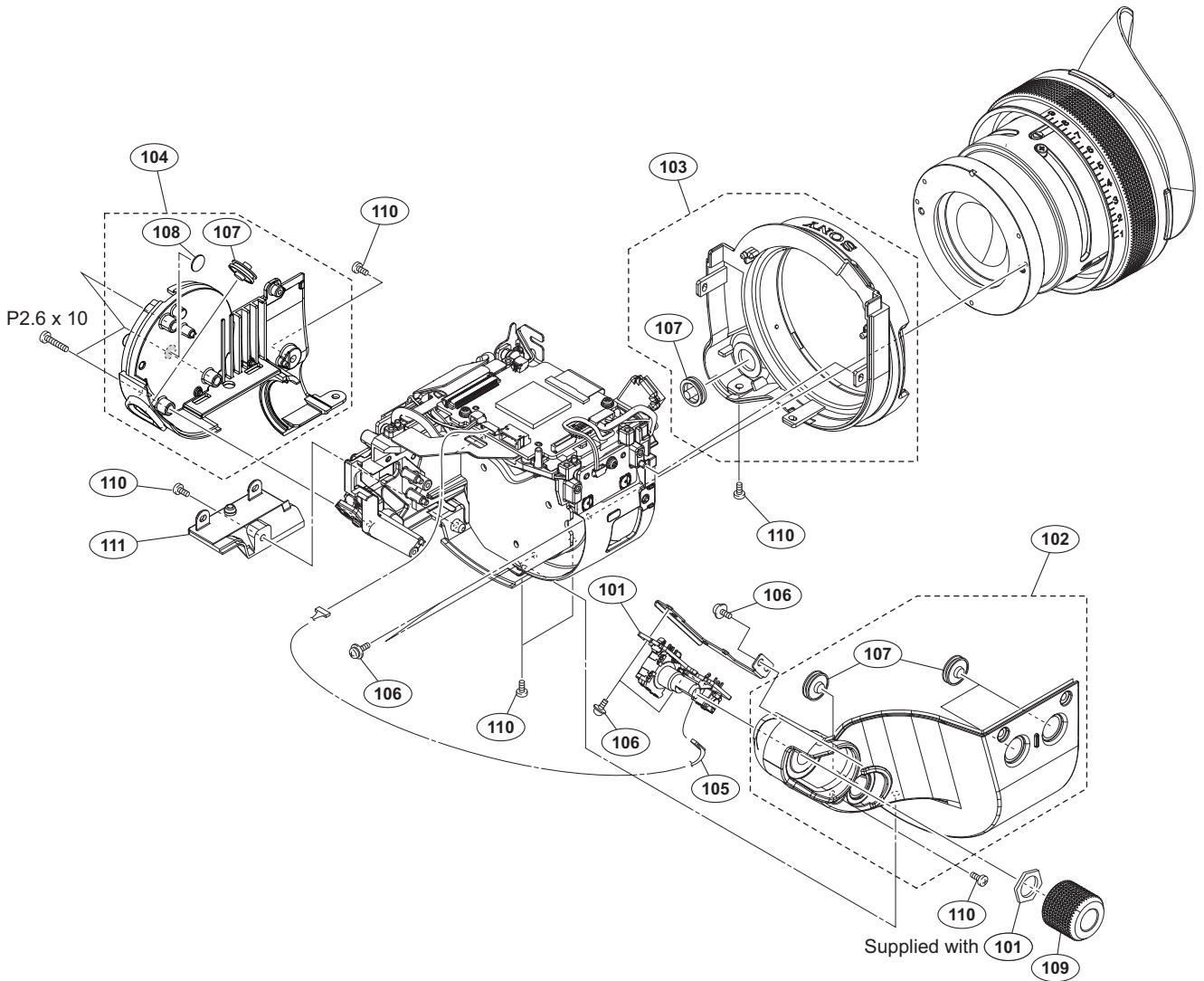
## 6-2. Exploded Views

### Top Cabinet and Lock Unit



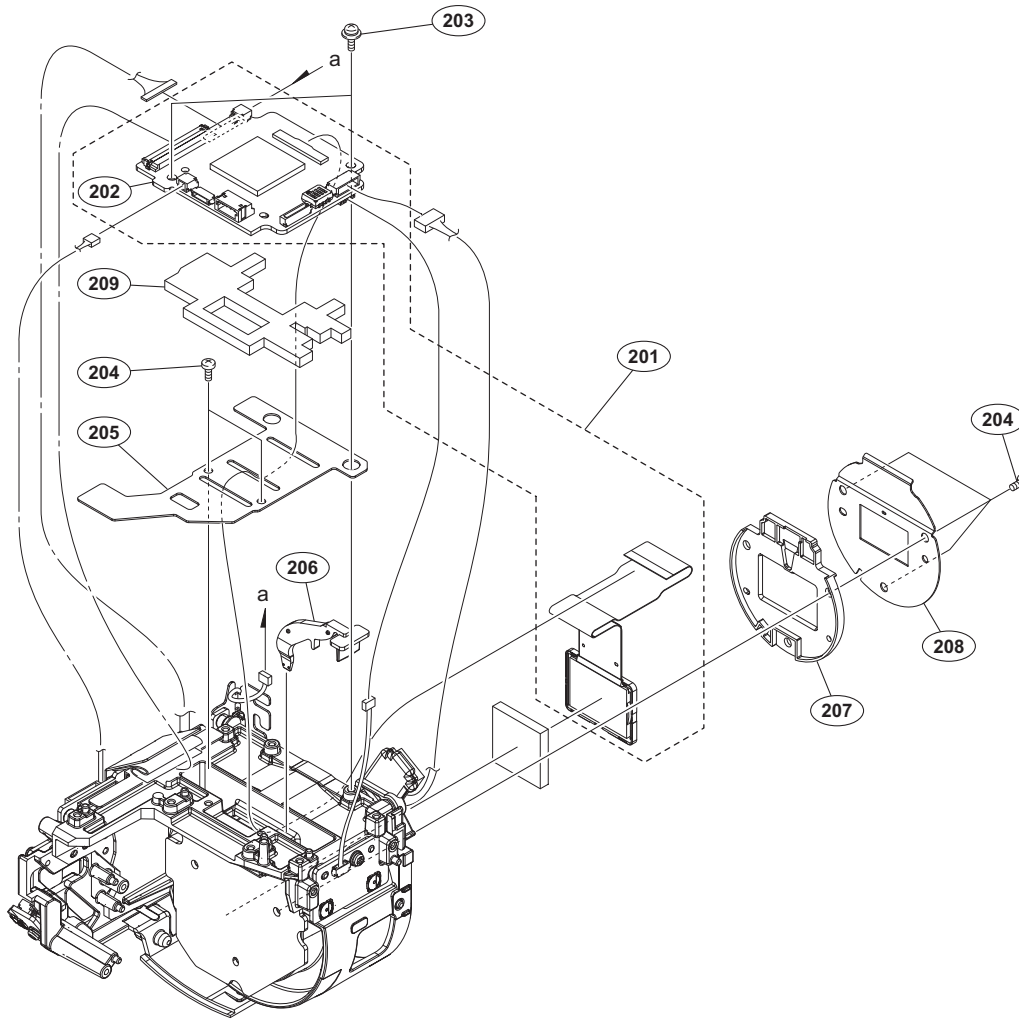
No.	Part No.	SP Description
1	A-2197-149-A	s CABINET ASSY, TOP
2	A-2197-150-A	s LOCK UNIT ASSY
3	4-559-446-02	s SCREW, +P2.6X5 NEW TRUSTER
4	4-696-019-01	s SCREW IB-LOCK(M2,BINDING HEAD)
5	4-723-781-01	s WINDOW, SE
6	4-723-782-01	s SHEET, SE WINDOW ADHESIVE
7	4-723-944-01	s SCREW, STOPPER
8	4-723-967-01	s PLATE, SERRATION
	7-623-710-67	s WASHER 12, WAVE TYPE

## Cabinet Section



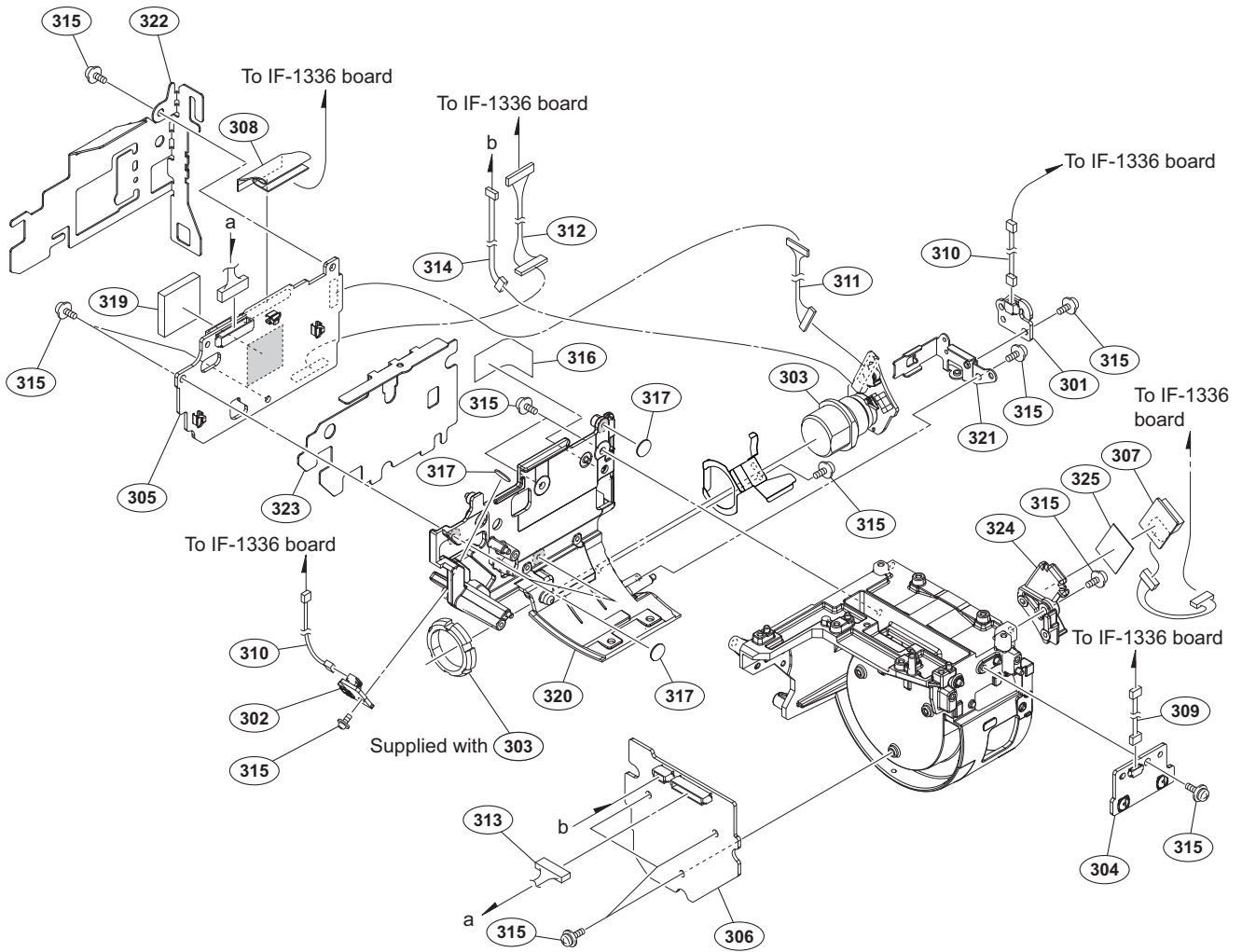
No.	Part No.	SP Description
101	A-2193-364-A	s EN-165 MOUNT
102	A-2197-146-A	s SUB ASSY, CABINET INSIDE
103	A-2197-147-A	s CABINET ASSY, REAR
104	A-2197-148-A	s CABINET ASSY, OUTSIDE
105	1-971-484-11	s SUB HARNESS (DM-SW-LED)
106	2-640-315-02	o SCREW (M2X5), SMALL, +P, SW
107	3-676-244-22	s COVER, SWITCH
108	3-796-946-03	s TAPE (A)
109	4-578-619-01	s DIAL, MENU
110	4-696-019-01	s SCREW IB-LOCK(M2,BINDING HEAD)
111	4-723-936-01	s GUARD, PLUG
	7-621-284-40	s SCREW +P 2.6X10

## IF-1336 Board and OLED



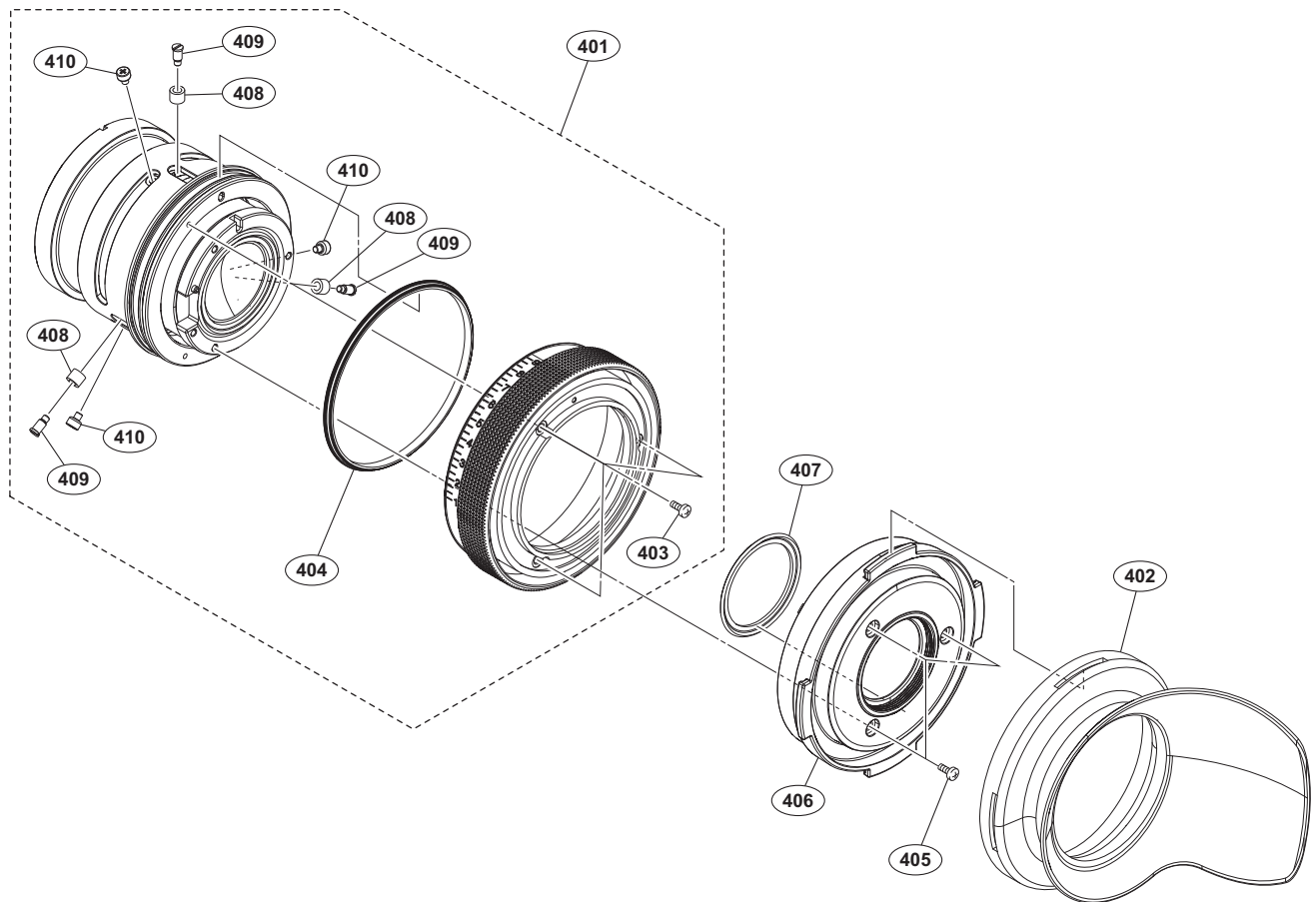
No.	Part No.	SP Description
201	A-2107-360-A	s OLED BLOCK FOR SERVICE
202	A-2193-368-A	s IF-1336 COMPL
203	2-640-315-02	o SCREW (M2X5), SMALL, +P, SW
204	3-080-203-32	s SCREW (M2), NEW TRUSTER, P2
205	4-698-275-01	s FPC FIXED SHEET
206	4-723-933-01	s LIGHT, GUIDE
207	4-723-934-01	s HOLDER, GUIDE, LIGHT
208	4-723-935-01	s FRAME (OL)
209	4-730-050-01	s CUSHION, FPC

## Boards Section



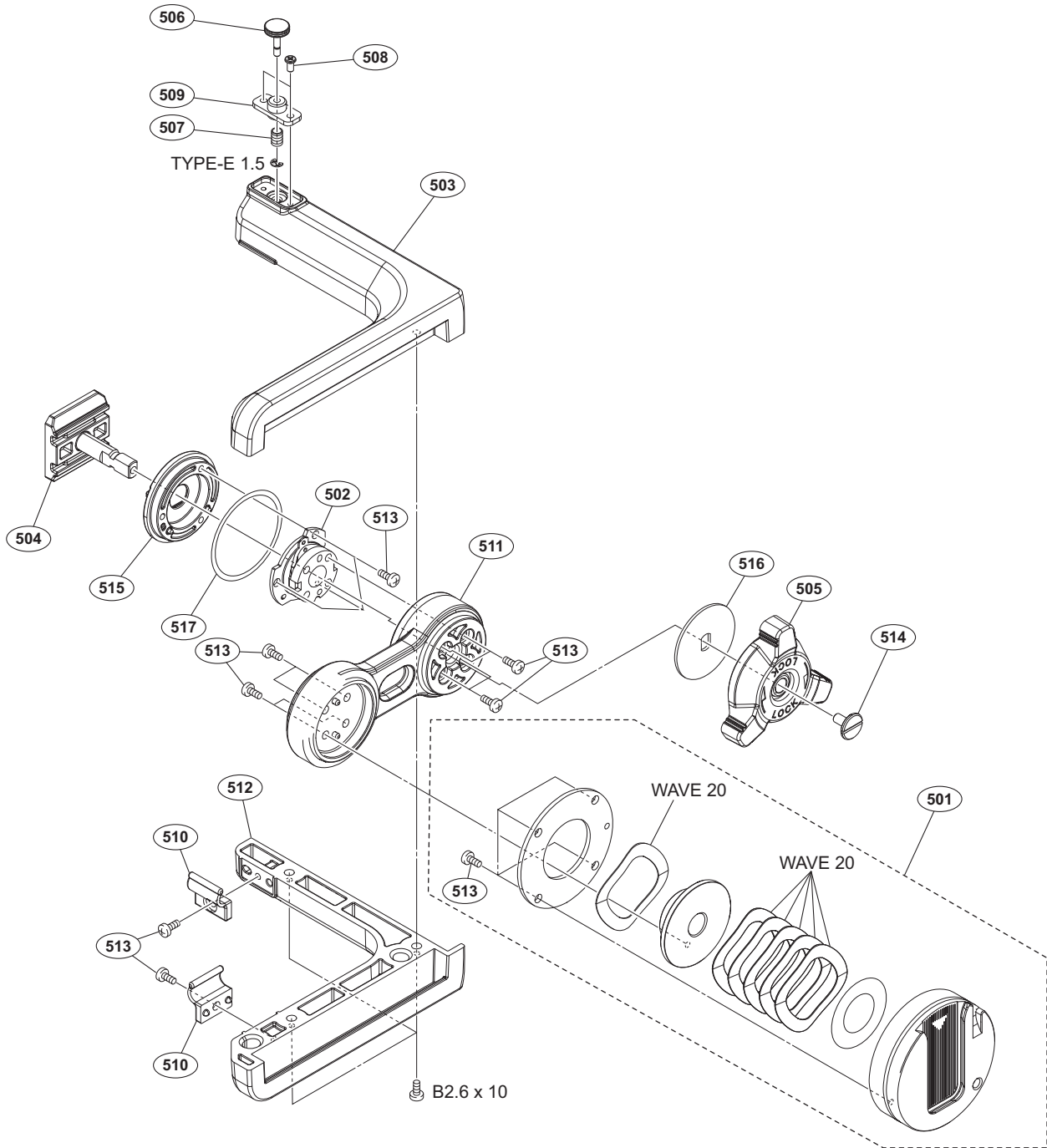
No.	Part No.	SP Description
301	A-2193-358-A	s DY-28 MOUNT
302	A-2193-359-A	s CP-413 MOUNT
303	A-2193-363-A	s CN-3940 MOUNT
304	A-2193-365-A	s SW-1728 MOUNT
305	A-2193-366-A	s PR-336 COMPL
306	A-2193-367-A	s RE-344 COMPL
307	1-493-094-11	s SENSOR, DISTANCE MEASURING
308	1-834-991-11	s CABLE, FLEXIBLE FLAT (40 CORE)
309	1-968-722-11	s SUB HARNESS (USB)
310	1-970-565-11	s SUB HARNESS (AU361-IF1264)
311	1-970-569-11	s HARNESS (DCP-WA-20P)
312	1-971-939-11	s HARNESS, SUB (PR-IF)
313	1-971-940-11	s HARNESS, SUB (VR)
314	1-971-945-11	s HARNESS, SUB (CN-RE)
315	2-640-315-02	o SCREW (M2X5), SMALL, +P, SW
316	3-079-115-01	s TAPE AS
317	3-796-946-03	s TAPE (A)
319	4-437-492-01	s SHEET (VCA2), RADIATION
320	4-697-669-01	s CABINET, BOTTOM
321	4-697-672-01	s FRAME (DY)
322	4-697-673-01	s PROTECT SHEET (PR-A)
323	4-697-674-01	s PROTECT SHEET (PR-B)
324	4-723-779-01	s HOLDER, SE
325	4-723-780-01	s SHEET, SE HOLDER ADHESIVE

## VF Loupe



No.	Part No.	SP Description
401	A-2194-076-A	s LOUPE ASSY
402	A-8319-943-B	s EYE CUP KIT (RP) (SERVICE)
403	3-080-203-32	s SCREW (M2), NEW TRUSTER, P2
404	4-471-386-11	s DROP PROTECT RUBBER IN(9129)
405	4-696-019-01	s SCREW IB-LOCK(M2,BINDING HEAD)
406	4-723-784-01	s HOLDER, EYE CUP
407	4-723-785-01	s SEAL, RING
408	4-723-940-01	s ROLLER
409	4-723-941-01	s SCREW, CAM
410	4-724-025-01	s STOPPER SHAFT, VF

# Attachment (CBK-55AT)



No.	Part No.	SP Description	No.	Part No.	SP Description
501	A-2197-156-A	s ROTATION ASSY, VF	515	4-559-622-01	s RING, LOCK
502	X-2318-442-2	s HINGE ASSY	516	4-559-624-01	s WASHER, LOCK
503	X-2587-004-2	s L-RAIL TOP ASSY	517	4-723-948-01	s SPACER, LOCK RING
504	X-2590-820-2	s SHAFT ASSY, SHOE			
505	X-2590-822-3	s KNOB (A) ASSY, LOCK			
506	2-277-457-01	s KNOB, STOPPER	7-621-775-50	s SCREW +B 2.6X10	
507	2-277-466-01	s SPRING, COMPRESSION	7-623-711-07	s WASHER 20, WAVE	
508	3-080-203-32	s SCREW (M2), NEW TRUSTER, P2	7-624-102-04	s STOP RING 1.5, TYPE -E	
509	3-710-008-02	s HOUSING, STOPPER			
510	4-197-161-01	s HOLDER, CABLE			
511	4-456-176-02	s SINGLE ARM			
512	4-456-178-02	s L-RAIL BOTTOM			
513	4-559-446-02	s SCREW, +P2.6X5 NEW TRUSTER			
514	4-559-509-01	s SCREW, STOPPER			

### 6-3. Supplied Accessories

Q'ty	Part No.	SP Description
1pc	△ 4-728-890-01 s	CD-ROM (INSTRUCTION MANUAL)
1pc	A-2201-632-A s	CABLE ASSY(50),VF
1pc	A-2201-633-A s	CABLE ASSY(120),VF