

**SONY**<sup>®</sup>

LCD COLOR VIEW FINDER

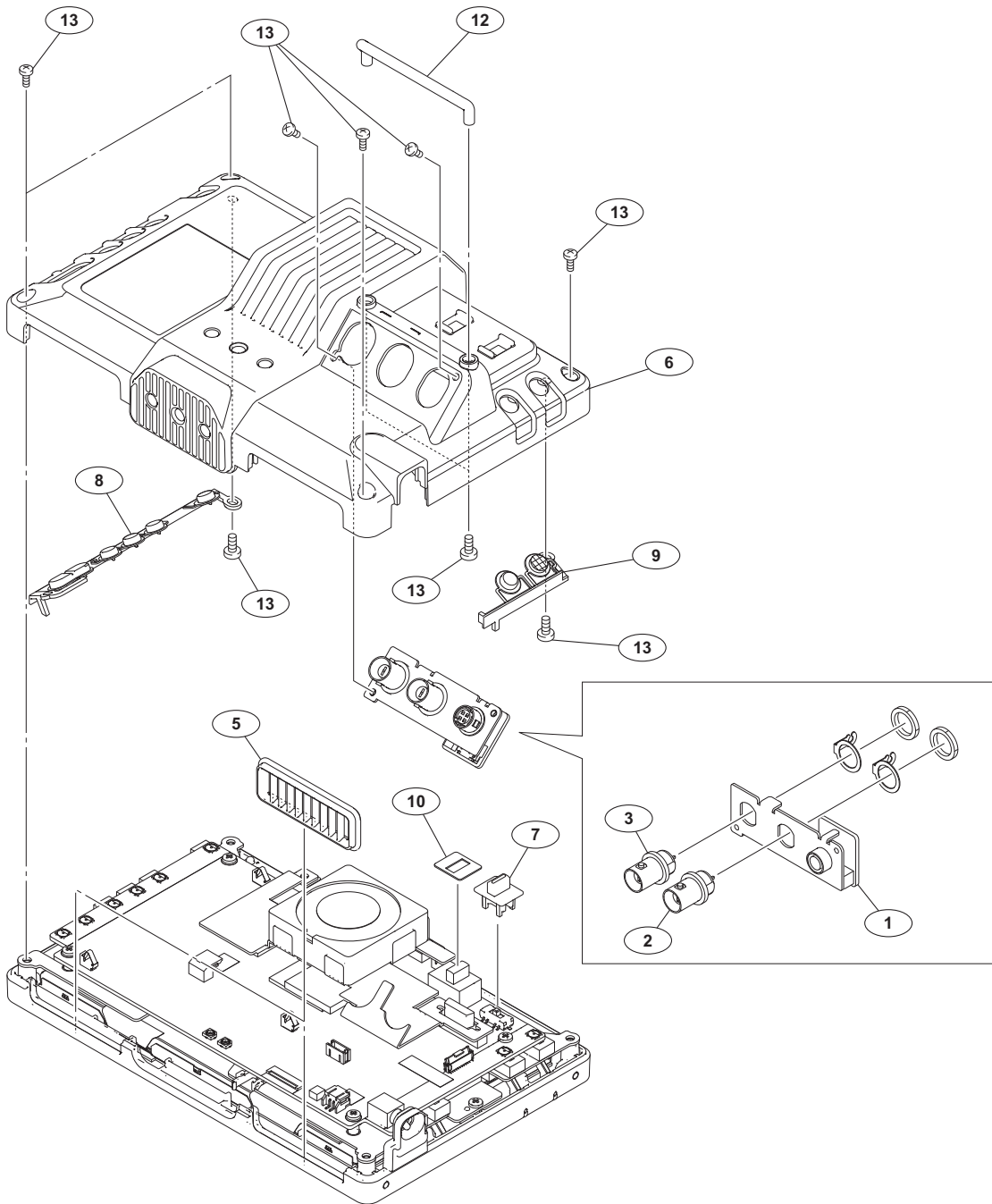
**DVF-L700**

SERVICE MANUAL

1st Edition (Revised 1)

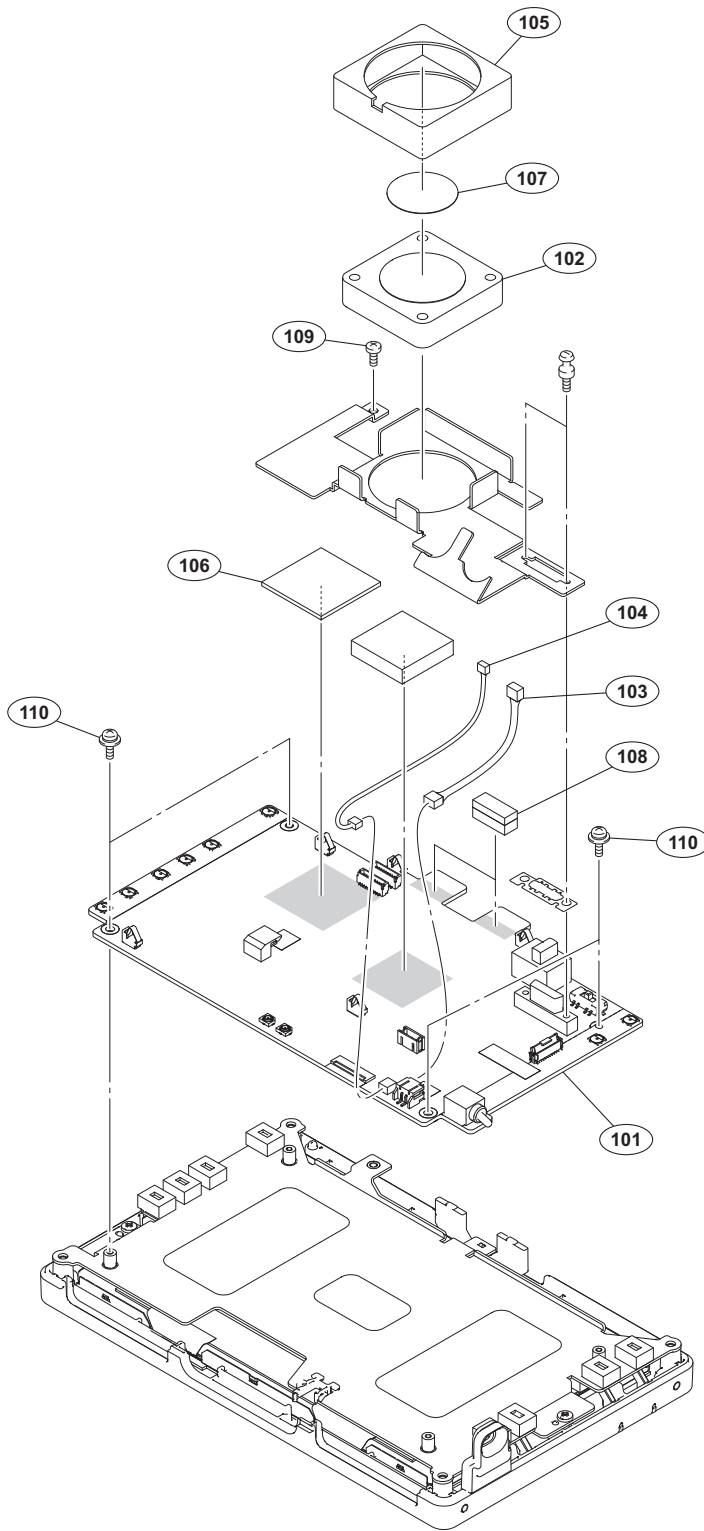
## 6-2. Exploded Views

### Rear Panel



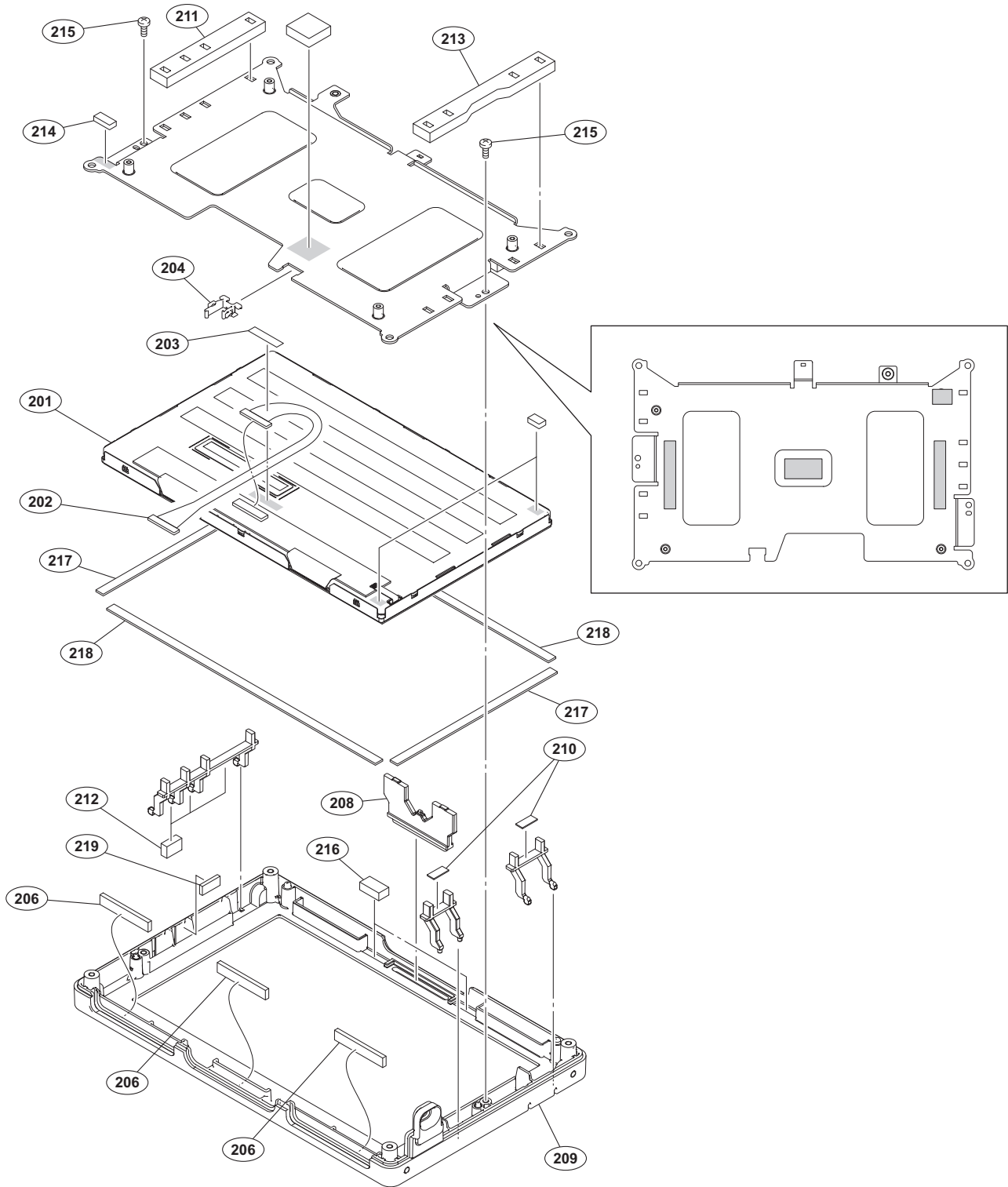
No.	Part No.	SP Description	No.	Part No.	SP Description
1	A-1929-932-A s	MOUNTED CIRCUIT BOARD, CN-3600 (SY: Serial No.500001 through 500999 CN: Serial No.100001 through 100999)	9	4-459-393-01 s	SWITCH (MAG)
	A-1962-686-A s	MOUNTED CIRCUIT BOARD, CN-3600S (SY: Serial No.501001 and higher CN: Serial No.101001 and higher)	10	4-459-394-01 s	BLANK SHEET
2	1-757-641-11 o	CABLE ASSEMBLY, COAXIAL	12	4-460-606-01 s	GUARD, CN
3	1-832-333-11 s	CABLE ASSEMBLY, COAXIAL	13	4-673-655-01 s	SCREW +B
5	4-459-140-01 s	LOUVER, INTAKE			
6	4-459-390-03 s	REAR PANEL			
7	4-459-391-01 s	SWITCH COVER (TALLY)			
8	4-459-392-02 s	SWITCH (HIGH)			

# PR Board



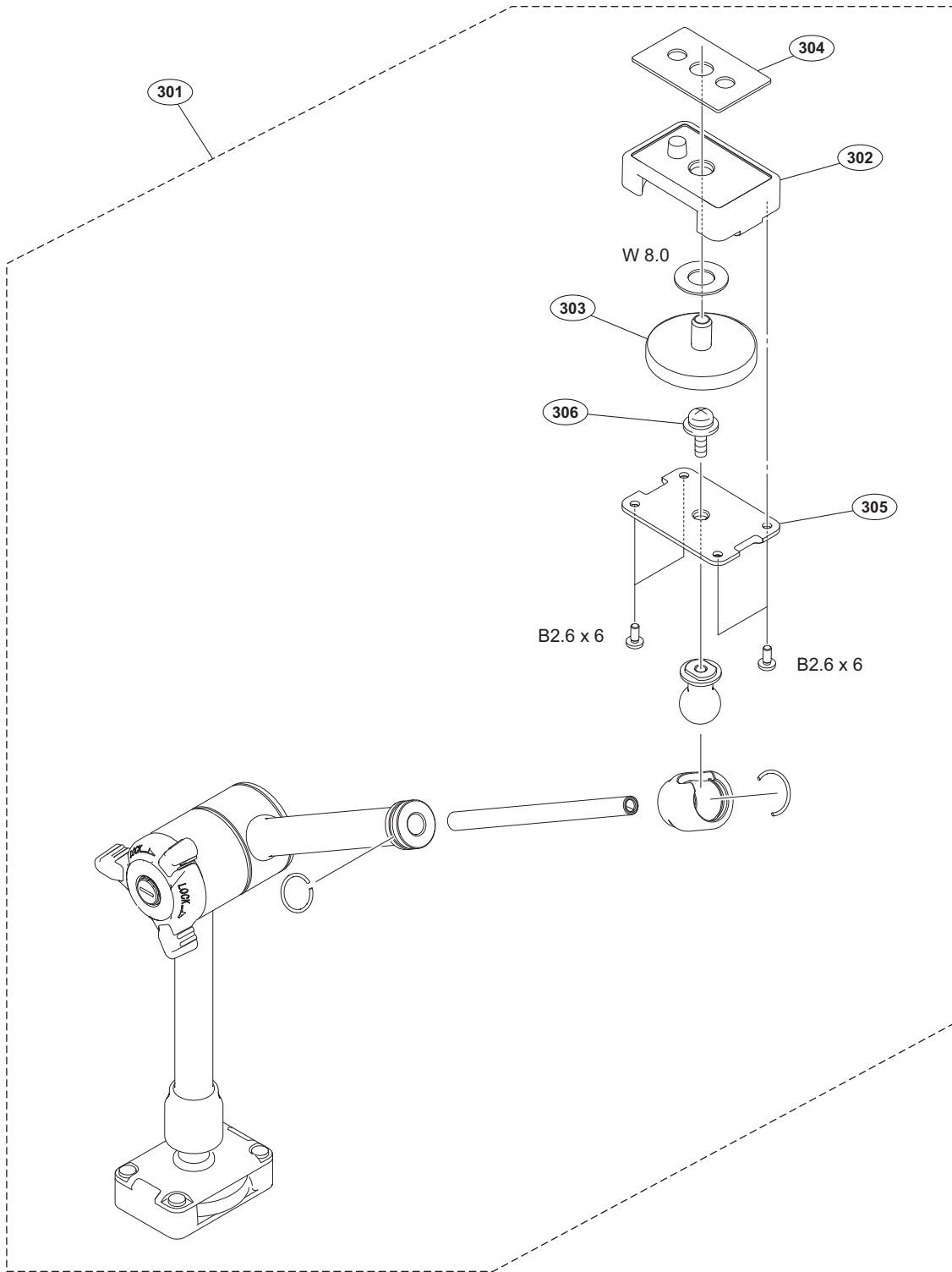
No.	Part No.	SP Description	No.	Part No.	SP Description
101	A-1929-933-A	s MOUNTED CIRCUIT BOARD, PR-331	110	3-855-938-01	s SCREW
102	△ 1-763-256-41	s FAN, DC (40 SQUARE)			
103	1-969-503-11	s HARNESS, SUB (DC IN)			
104	1-969-504-11	s HARNESS, SUB (TALLY)			
105	3-097-054-13	s CUSHION, FAN (40X10)			
106	4-275-244-01	s RADIATION SHEET G			
107	4-459-419-01	s SHEET, FAN			
108	4-461-529-01	s CUSHION, FAN RETAINER			
109	4-673-655-01	s SCREW +B			

# LCD



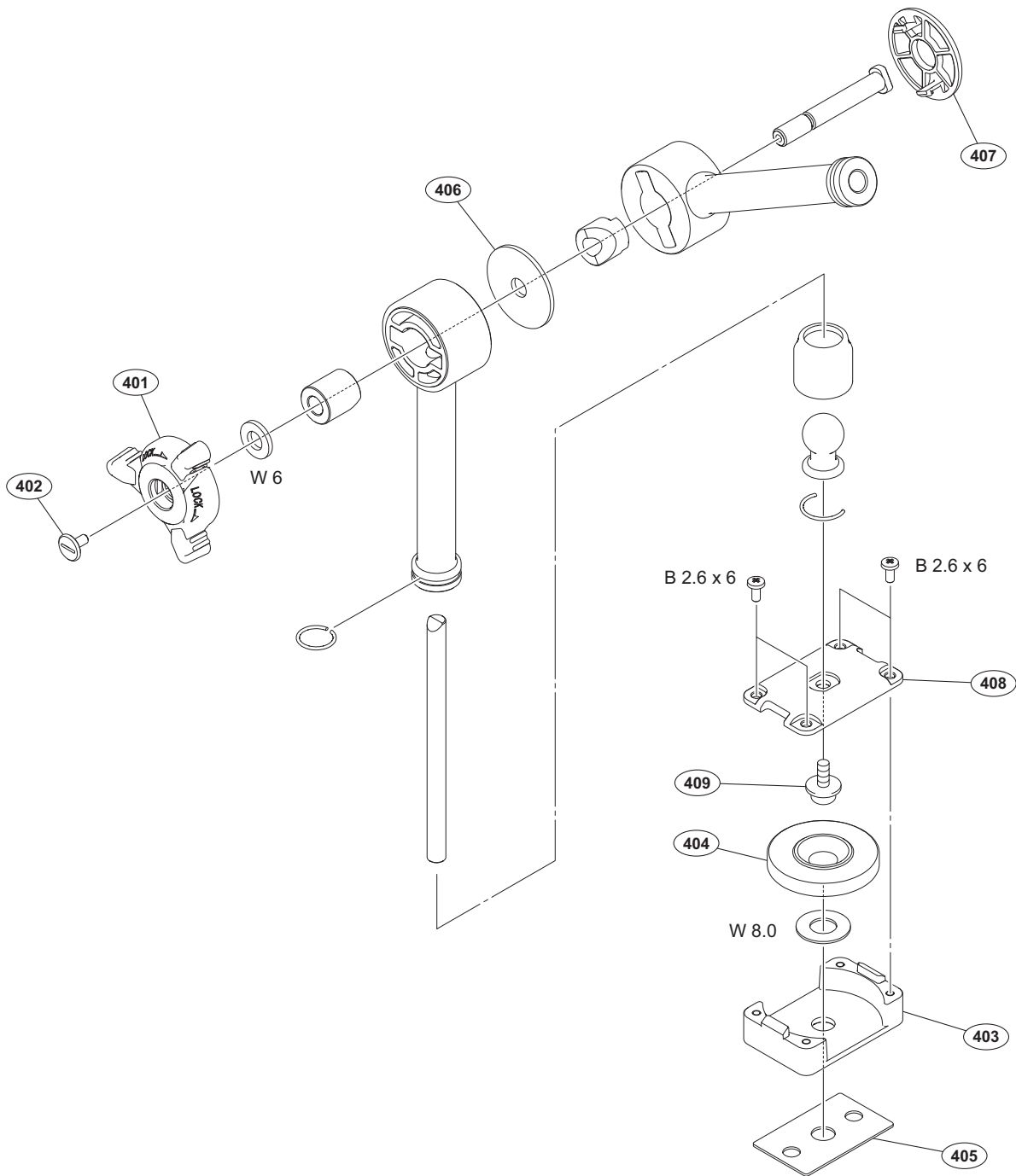
No.	Part No.	SP Description	No.	Part No.	SP Description
201	1-811-811-11	s LCD MODULE	212	4-459-300-01	s CUSHION (2), LIGHT INTERCEPTION
202	1-969-506-11	s HARNESS (LCD)	213	4-459-608-01	s CUSHION (RIGHT), LIGHT INTERCEP
203	3-079-115-01	s TAPE AS	214	4-459-837-01	s CUSHION, BUTTON
204	4-137-926-01	s SADDLE (LES-0505), EDGE	215	4-673-655-01	s SCREW +B
206	4-283-446-01	s RADIATION SHEET J	216	4-129-038-01	s FOAM (MOF), SHIELD
208	4-459-143-01	s LENS, LED (TALLY)	217	4-462-407-01	s CUSHION (R), LCD
209	4-459-144-01	s FRONT PANEL	218	4-462-408-01	s CUSHION (T), LCD
210	4-459-168-01	s CUSHION, LENS	219	4-469-466-01	s CUSHION, SUPPORT
211	4-459-299-01	s CUSHION (1), LIGHT INTERCEPTION			

# Flexible Arm-1



No.	Part No.	SP Description
301	A-1929-876-A	s ARM ASSY, FLEXIBLE
302	4-459-152-01	s BOX (LCD), FITTING
303	4-469-106-01	s SCREW, FITTING (2)
304	4-459-155-01	s CUSHION, LCD
305	4-459-161-01	s BOX (LID), FITTING
306	2-580-602-01	s SCREW, +PSW M4X12
	7-621-773-95	s SCREW +B 2.6X6
	7-623-928-11	s WASHER 8.0, NYLON

## Flexible Arm-2



No.	Part No.	SP Description
401	X-2586-818-1 s	KNOB ASSY, LOCK
402	4-456-181-01 s	SCREW STOPPER
403	4-459-153-01 s	BOX (CAMERA), FITTING
404	4-459-154-01 s	SCREW, FITTING
405	4-459-155-01 s	CUSHION, LCD
406	4-459-156-01 s	SPACER, FRICTION
407	4-459-160-01 s	LID, BLIND
408	4-459-161-01 s	BOX (LID), FITTING
409	2-580-602-01 s	SCREW, +PSW M4X12
	7-621-773-95 s	SCREW +B 2.6X6
	7-623-928-11 s	WASHER 8.0, NYLON
	7-682-962-01 s	SCREW +PSW 4X10
	7-688-006-11 s	W 6, MIDDLE