

SONY®

HD ELECTRONIC VIEWFINDER

HDVF-C550W

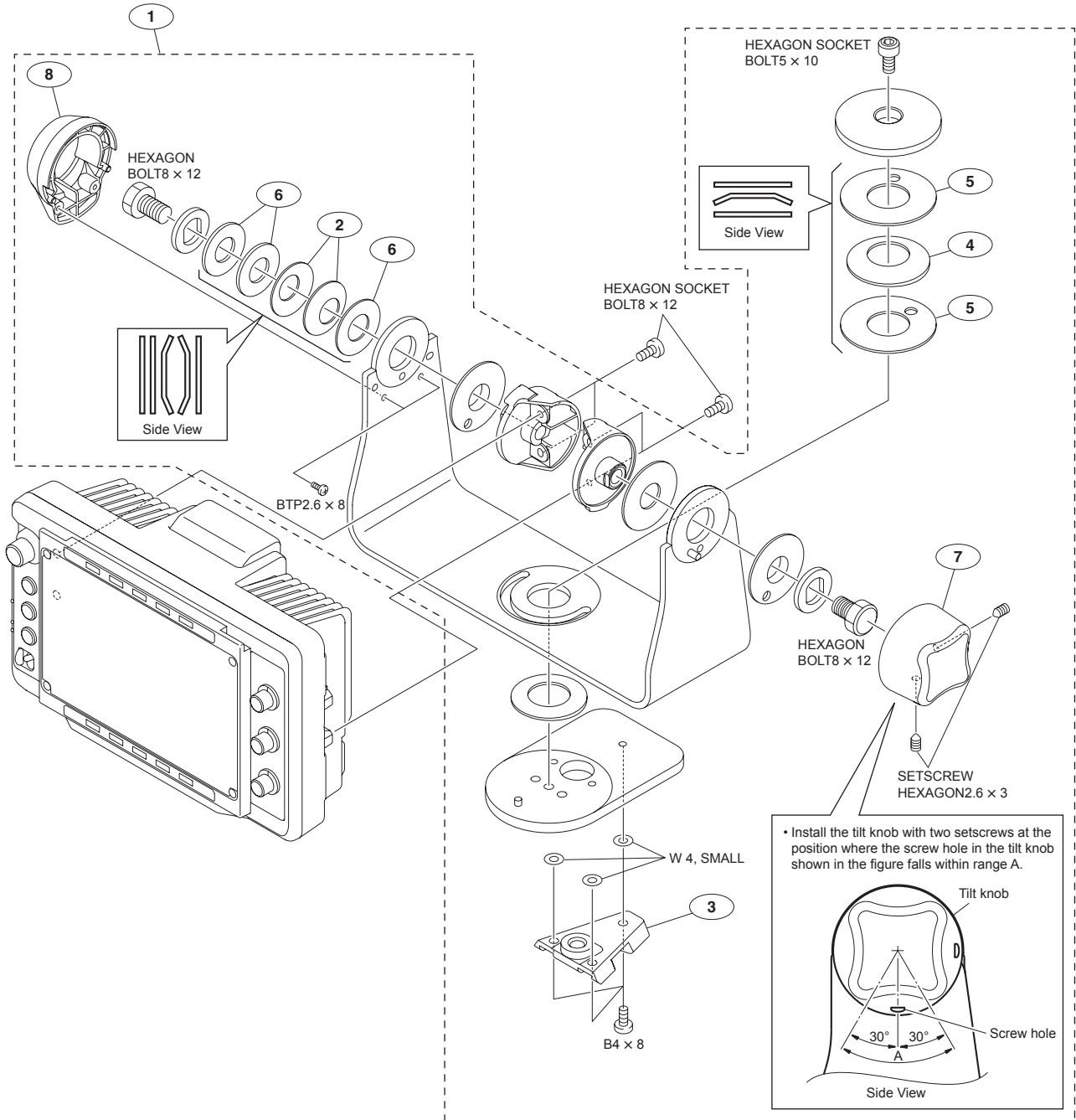
MAINTENANCE MANUAL

1st Edition

Serial No. 10001 and Higher

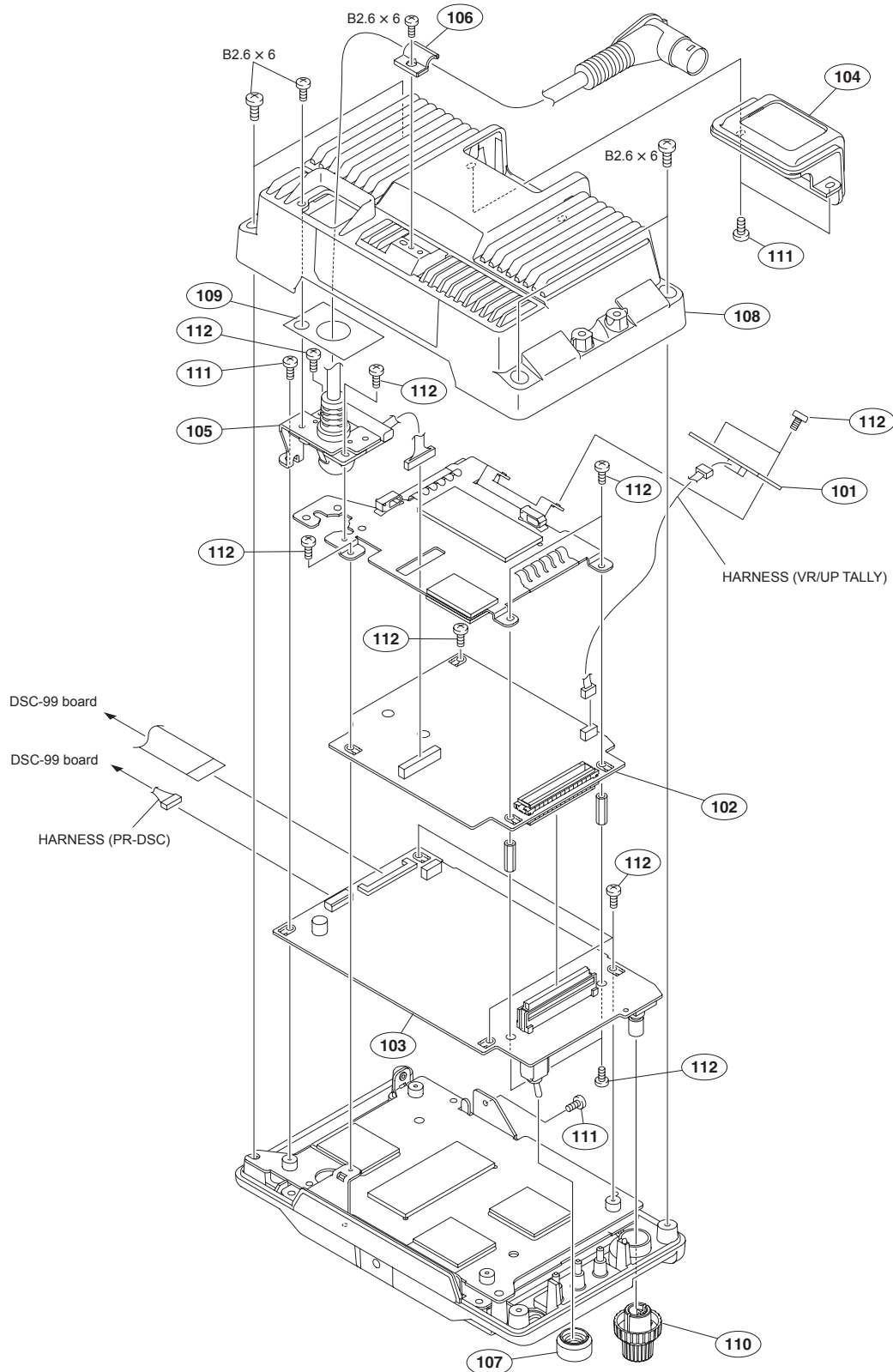
Base Tilt Assembly

5-2. Exploded Views



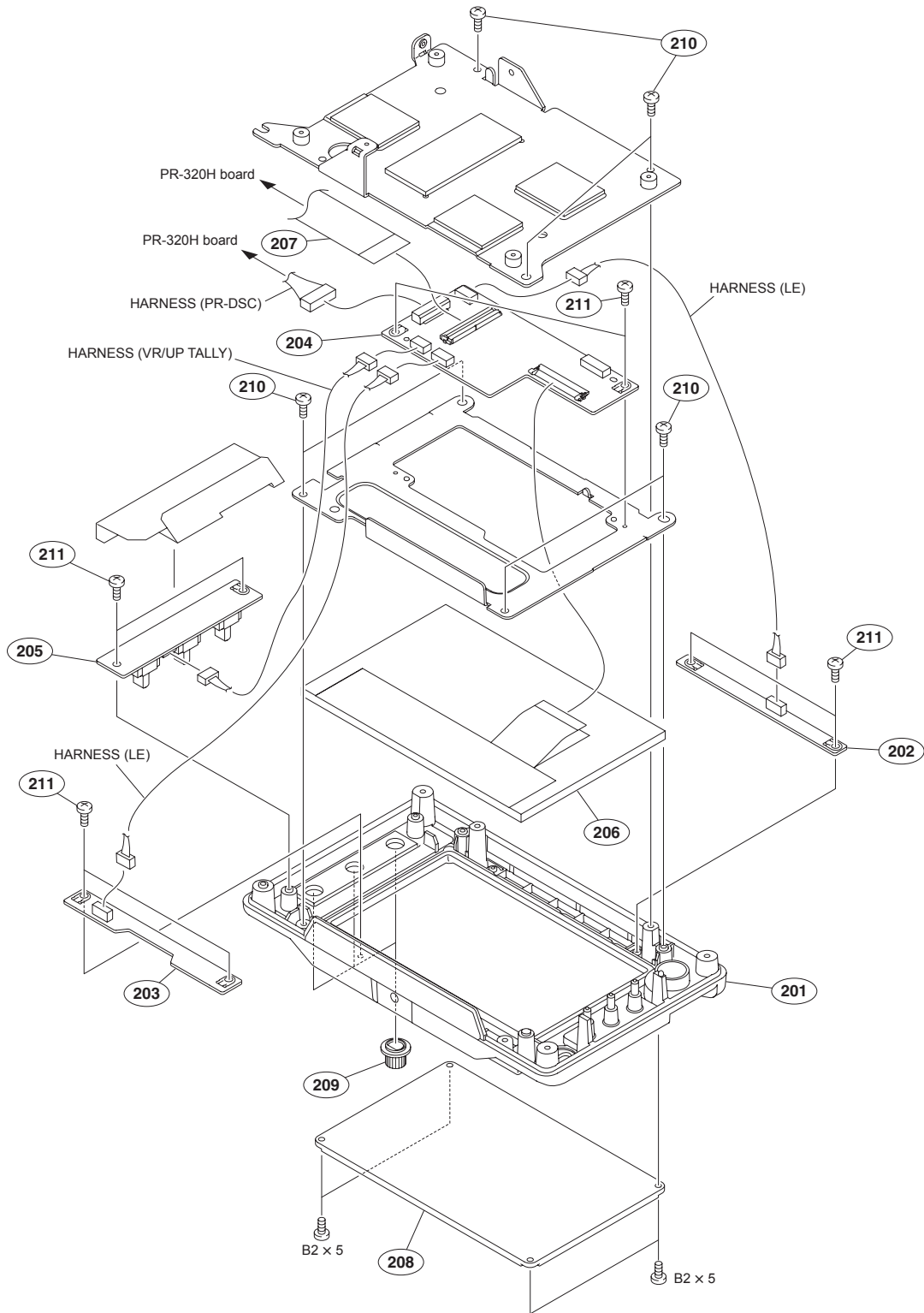
No.	Part No.	SP Description
1	A-1758-088-B	s BASE PAN TILT ASSY (HD)
2	3-167-487-01	o SPRING, PLATE
3	3-854-770-02	s WEDGE (D), MOUNTING
4	4-027-627-01	o SPRING (DIA. 18)
5	4-126-082-01	s SPACER, PAN (A)
6	4-126-085-01	s SPACER (2)
7	4-172-639-01	s KNOB, TILT
8	4-172-640-01	s COVER (L)

No.	Part No.	SP Description
	7-621-734-09	s SET-SCT, HEX. 2.6X3
	7-682-561-09	s SCREW +B 4X8
	7-683-378-07	s BOLT, HEXAGON 8X12
	7-683-403-04	s BOLT, HEXAGON SOCKET 3X6
	7-683-435-04	s BOLT, HEXAGON SOCKET 5X10
	7-685-534-19	s SCREW +BTP 2.6X8 TYPE2 N-S
	7-688-004-02	o W 4, SMALL



No.	Part No.	SP Description	No.	Part No.	SP Description
101	A-1764-640-A	s MOUNTED CIRCUIT BOARD, LE-364	109	4-174-652-02	s SHEET,VF
102	A-1764-647-A	s MOUNTED CIRCUIT BOARD, RE-270H	110	4-183-519-01	s KNOB(B),RE
103	A-1764-650-A	s MOUNTED CIRCUIT BOARD, PR-320H	111	4-644-493-11	s ACE (M2.6), LOCK (Silver)
104	X-2547-104-1	s COVER ASSY, TALLY	112	4-672-834-61	s SCREW, +B EG GRIP (Black)
105	1-837-866-11	s CORD, CONNECTION (HDVF)			
106	4-197-161-01	s HOLDER, CABLE			
107	3-870-137-02	s CAP, DROP PROTECTION			
108	4-172-651-01	s CASE, REAR			
					7-621-773-95 s SCREW +B 2.6X6

LCD Module



No.	Part No.	SP Description	No.	Part No.	SP Description
201	A-1764-265-A	s BEZEL ASSY (HD)	206	1-811-154-11	s LCD MODULE (AA050MC02)
202	A-1764-641-A	s MOUNTED CIRCUIT BOARD, LE-365	207	1-831-086-11	s CABLE, FLEXIBLE FLAT (50 CORE)
203	A-1764-642-A	s MOUNTED CIRCUIT BOARD, LE-366	208	4-174-650-02	s MASK, LCD
204	A-1764-648-A	s MOUNTED CIRCUIT BOARD, DSC-99	209	4-174-655-01	s KNOB, VOLUME
205	A-1764-644-A	s MOUNTED CIRCUIT BOARD, VR-332	210	4-644-493-11	s ACE (M2.6), LOCK
			211	4-672-834-61	s SCREW, +B EG GRIP (Black)
				7-621-772-20	s SCREW +B 2X5