

**SONY®**

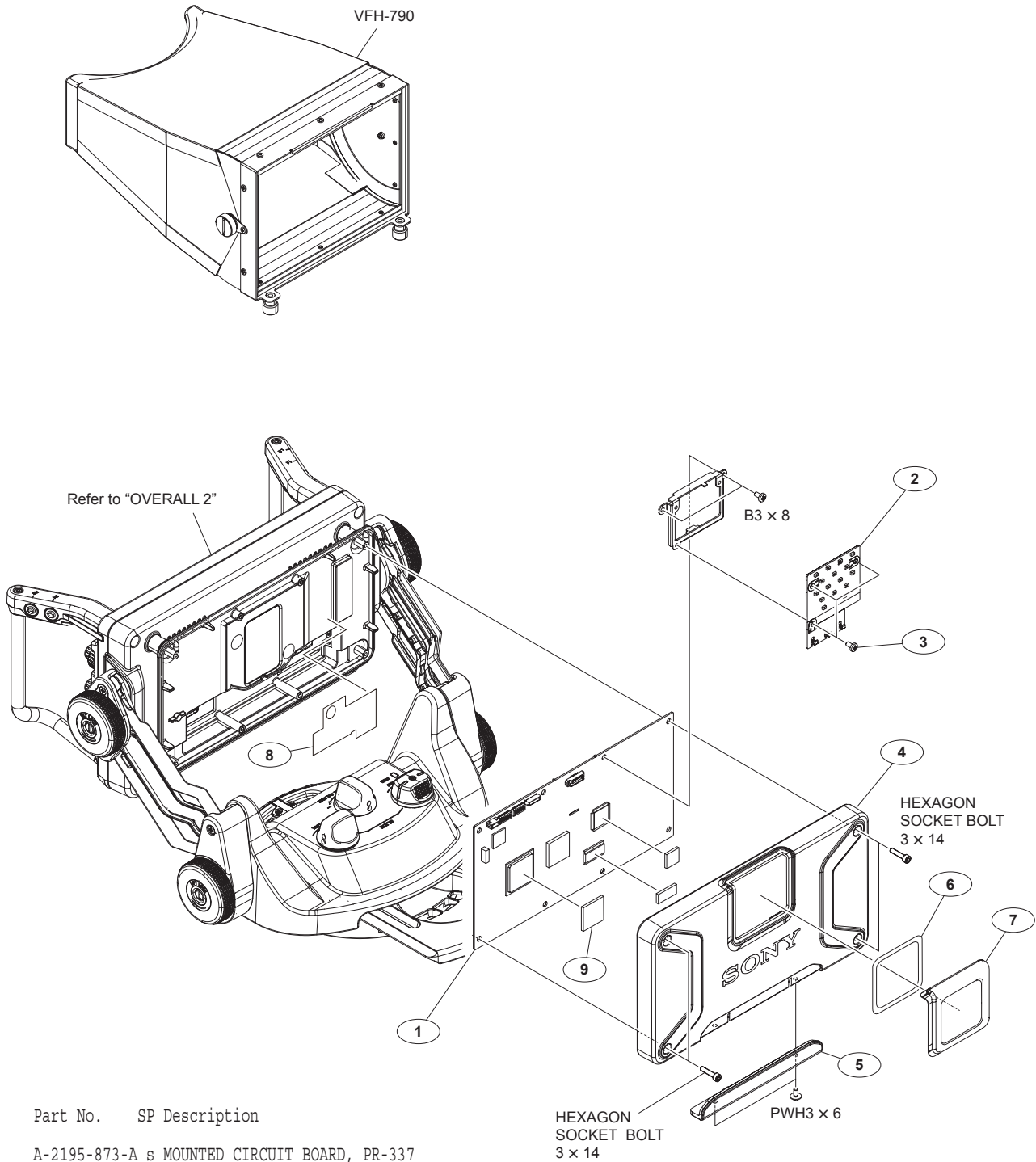
HD ELECTRONIC VIEWFINDER

**HDVF-EL70**  
**HDVF-EL75**

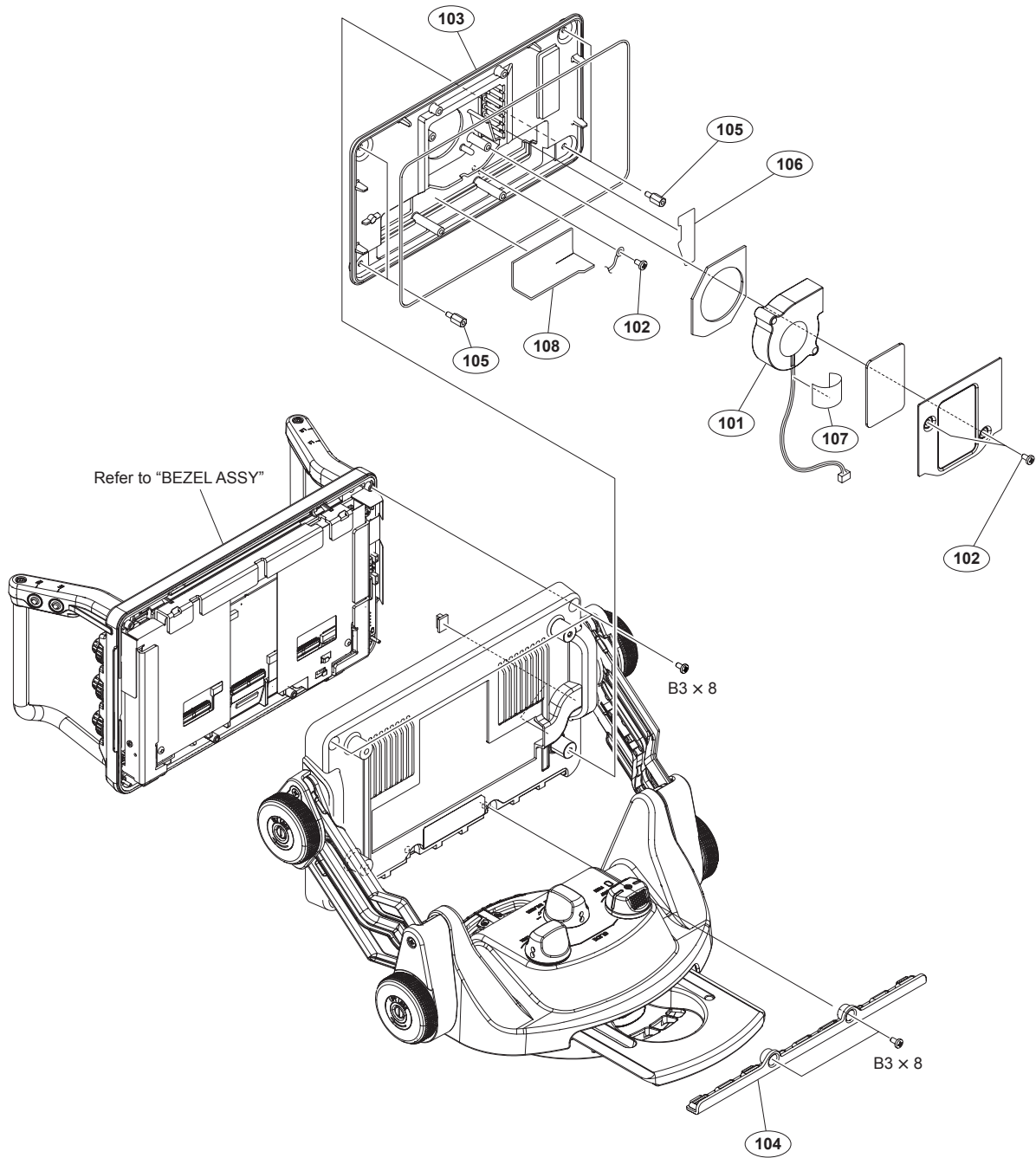
OUTDOOR HOOD  
**VFH-790**

MAINTENANCE MANUAL  
2nd Edition  
Serial No. 120001 and Higher

5-2. Exploded Views

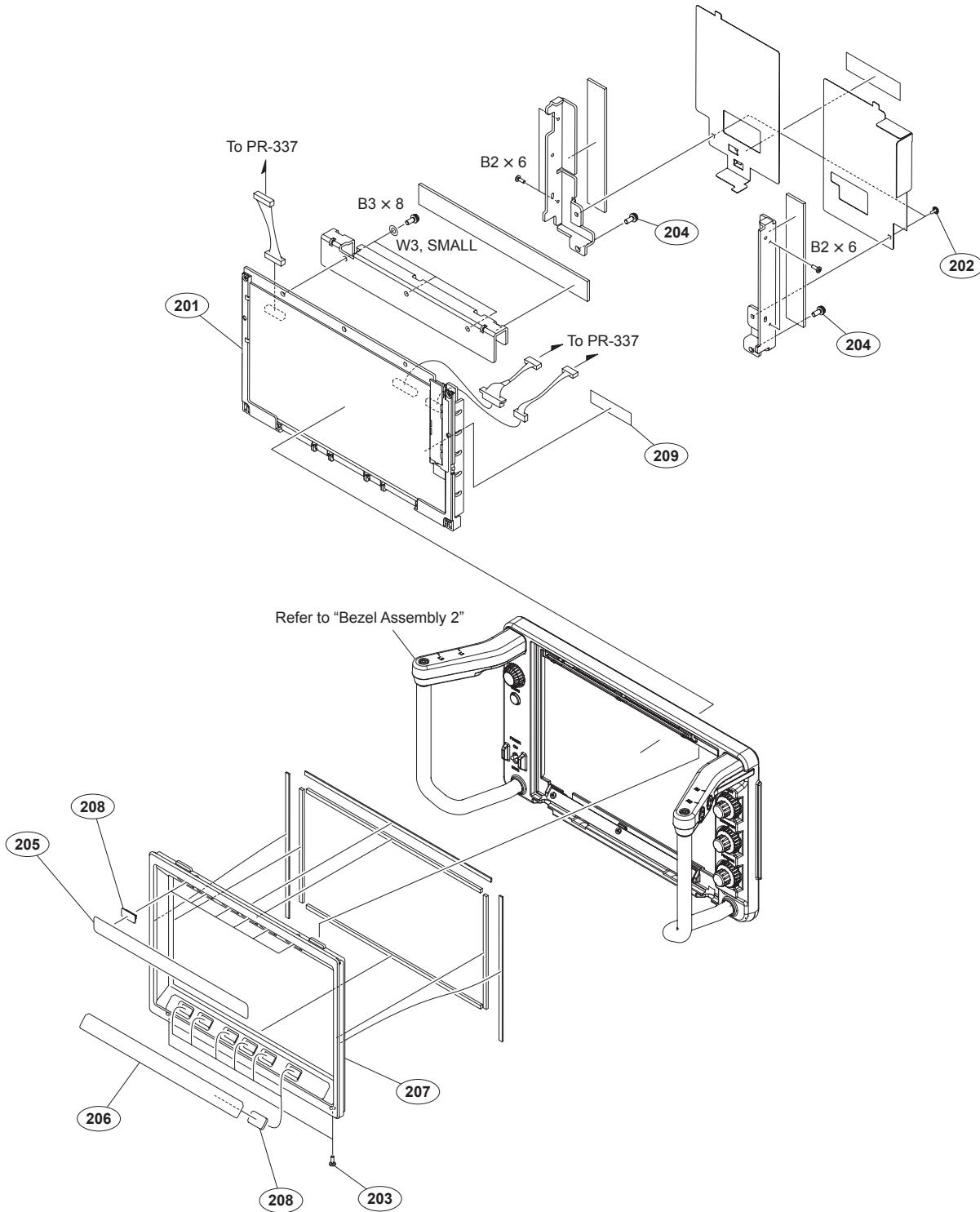


No.	Part No.	SP Description
1	A-2195-873-A	s MOUNTED CIRCUIT BOARD, PR-337
2	A-2195-874-A	s MOUNTED CIRCUIT BOARD, LE-415
3	4-150-565-01	s SCREW +B 3X5 NI (SCOTCH GRIP)
4	4-558-935-01	s COVER (C), REAR
5	4-195-862-02	s PAD, REAR
6	4-195-869-03	s ADHESIVE (TALLY)
7	4-195-870-02	s COVER, TALLY
8	4-262-515-02	s SHEET (FERRITE CORE)
9	4-196-297-02	s SHEET (D), RADIATION
	7-682-548-04	s SCREW +B 3X8
	7-682-903-19	s SCREW +PWH 3X6
	7-683-407-04	s BOLT, HEXAGON SOCKET 3X14

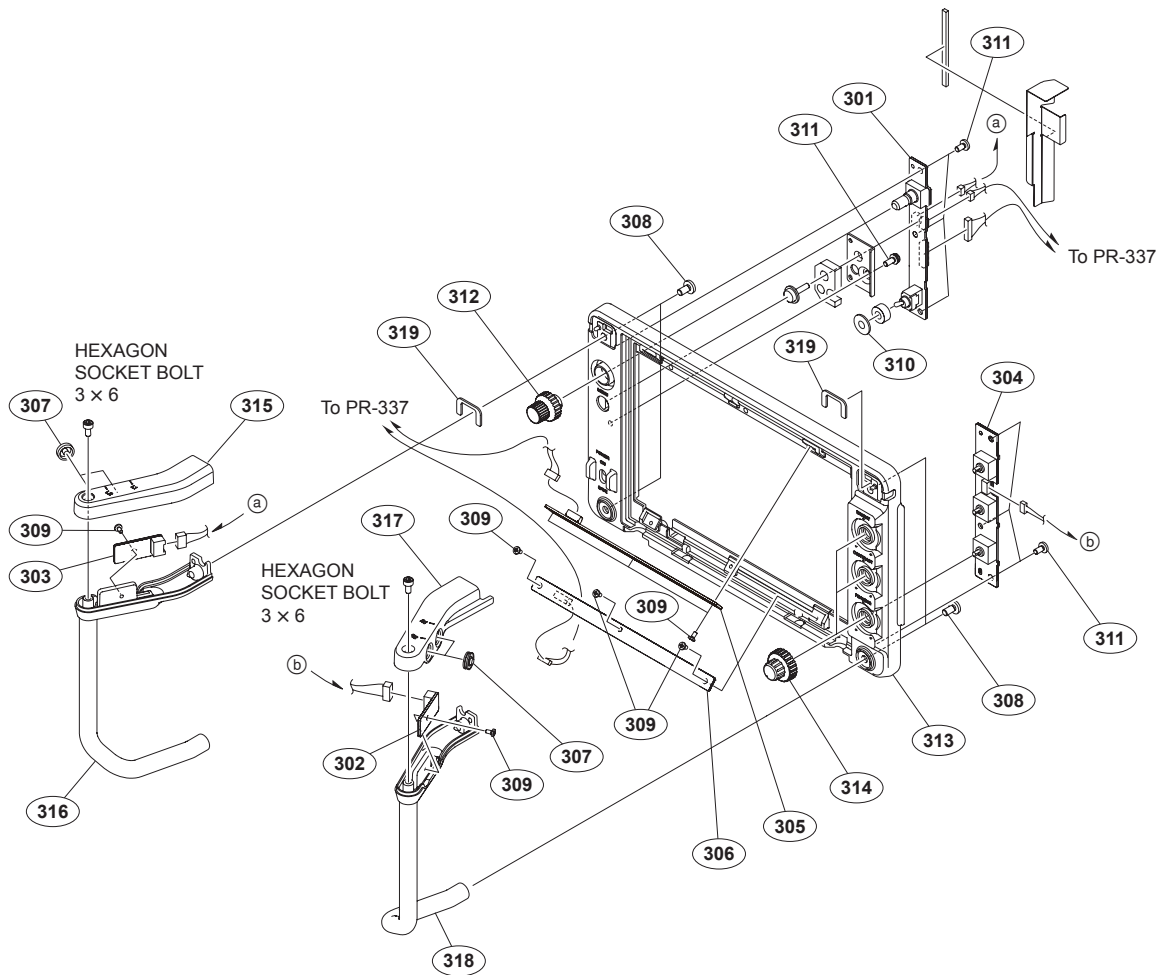


No.	Part No.	SP Description
101	1-787-656-11	s D.C. FAN
102	4-150-565-01	s SCREW +B 3X5 NI (SCOTCH GRIP)
103	4-558-936-01	s FRAME (B), REAR
104	4-195-861-01	s GUARD (LOWER), PANEL
105	4-198-669-01	s SUPPORT (L=9)
106	4-262-514-01	s SHEET (FAN), SEALING
107	3-278-255-01	s TAPE (BT)
108	4-736-184-01	s SHEET, HARNESS GUARD
	7-682-548-09	s SCREW +B 3X8

# Bezel Assembly 1



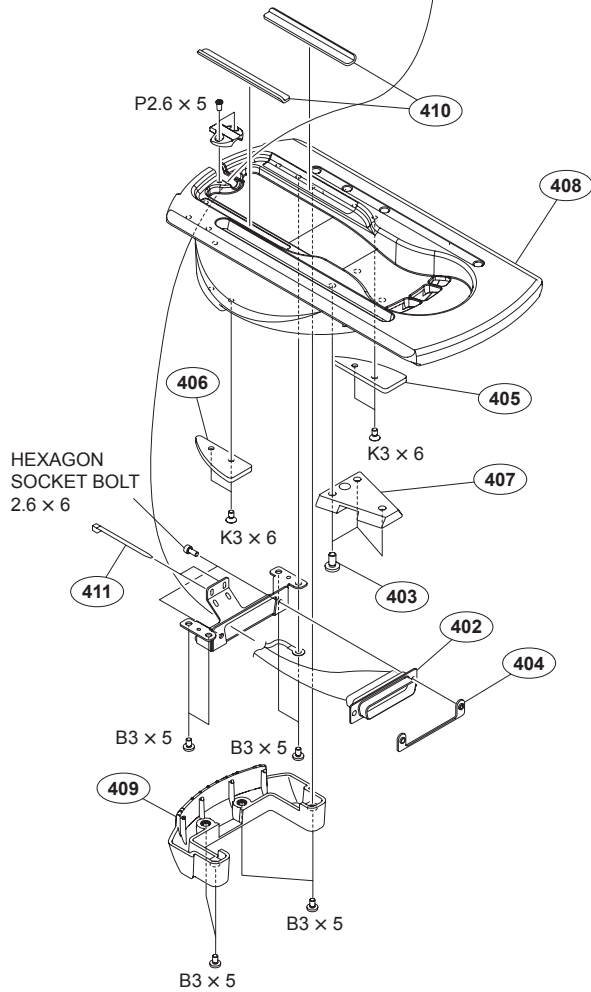
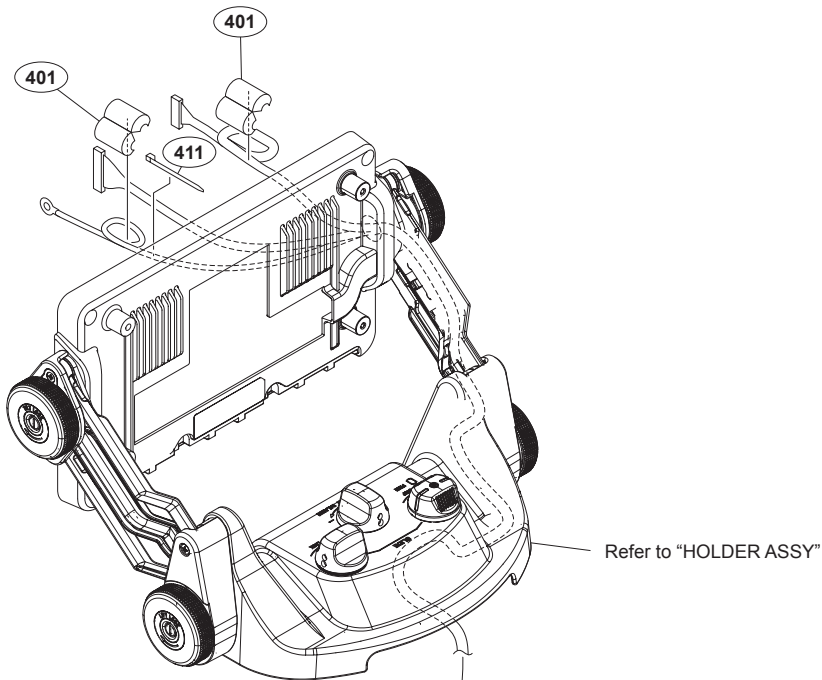
No.	Part No.	SP Description	No.	Part No.	SP Description
201	Δ A-1796-939-C	s PANEL ASSY (HDVF), SERVICE	206	4-195-851-01	s SHEET (LOWER), TALLY
202	2-279-715-01	s RIVET, NYLON	207	4-558-934-01	s MASK, FRONT
203	3-729-076-11	s SCREW (+B) (2X4)	208	4-195-865-01	s GUIDE, LIGHT
204	4-150-565-01	s SCREW +B 3X5 NI (SCOTCH GRIP)	209	4-488-383-01	s TAPE (13X50) //C
205	4-196-225-01	s SHEET (UPPER) S, TALLY (EL70) (for HDVF-EL70)			
	4-195-839-01	s SHEET (UPPER) P, TALLY (EL75) (for HDVF-EL75)		7-621-772-38	s SCREW +B 2X6
				7-682-548-04	s SCREW +B 3X8
				7-688-003-01	s W 3, SMALL



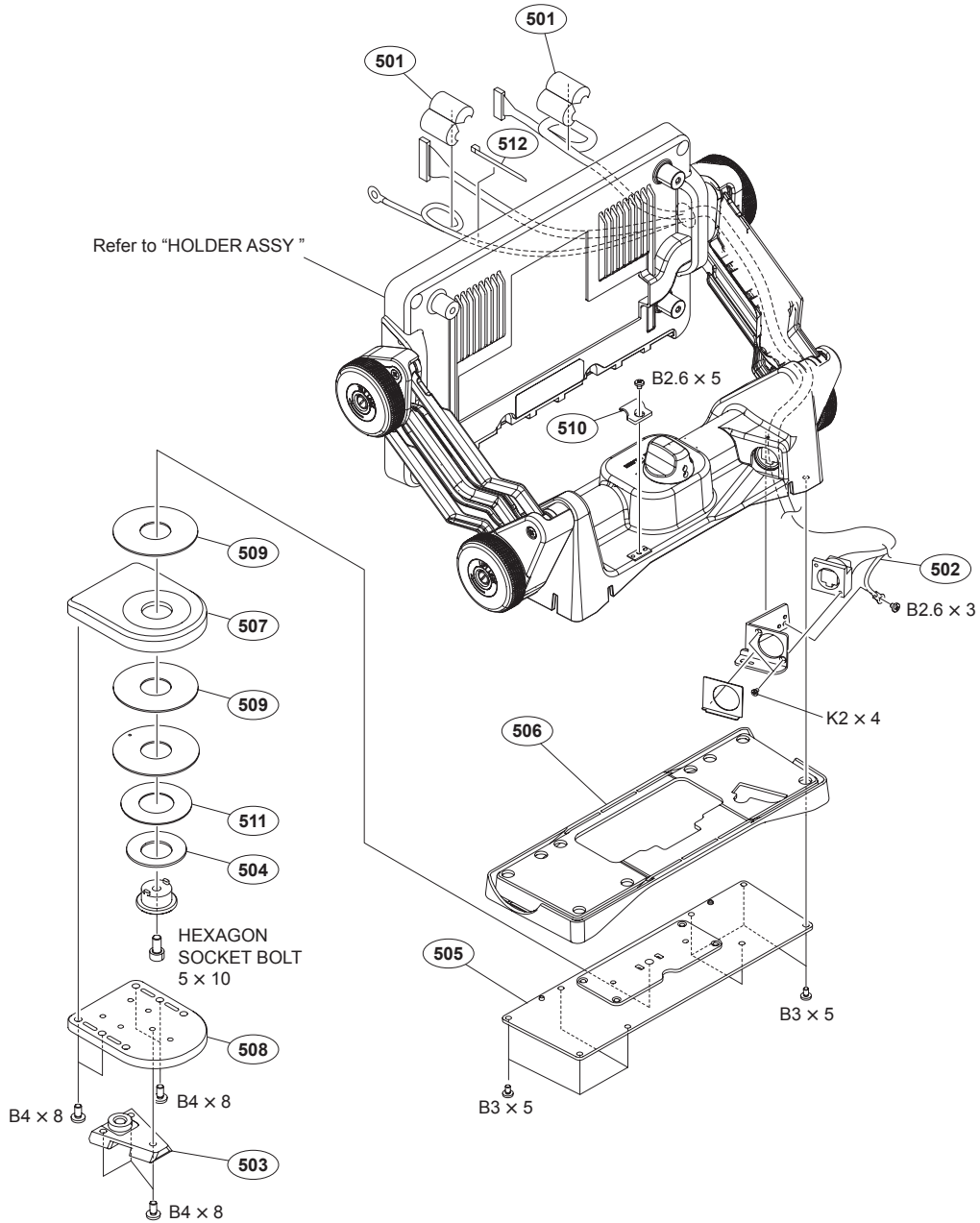
No.	Part No.	SP Description
301	A-2195-869-A	s MOUNTED CIRCUIT BOARD, SW-1730
302	A-2195-870-A	s MOUNTED CIRCUIT BOARD, SW-1731
303	A-2195-871-A	s MOUNTED CIRCUIT BOARD, SW-1732
304	A-2195-872-A	s MOUNTED CIRCUIT BOARD, VR-366
305	A-2195-875-A	s MOUNTED CIRCUIT BOARD, LE-416
306	A-2195-876-A	s MOUNTED CIRCUIT BOARD, LE-417
307	3-676-244-04	s COVER, SWITCH
308	3-685-694-02	s NYLOCK +PSW M4
309	3-729-076-11	s SCREW (+B) (2X4)
310	3-869-883-01	s RUBER,DROP PROTECTION
311	4-150-565-01	s SCREW +B 3X5 NI (SCOTCH GRIP)
312	4-183-519-01	s KNOB(B),RE
313	4-558-933-01	s BEZEL
314	4-195-859-04	s KNOB, VOLUME
315	4-195-863-01	s COVER (LEFT), HANDLE
316	4-558-248-01	s BASE (LEFT), HANDLE
317	4-195-867-01	s COVER (RIGHT), HANDLE
318	4-558-249-01	s BASE (RIGHT), HANDLE
319	4-196-282-01	s SHEET(HANDLE),SEALING

7-683-403-04 s BOLT,HEXAGON SOCKET 3X6

# VF Holder Unit (S) (HDVF-EL70)



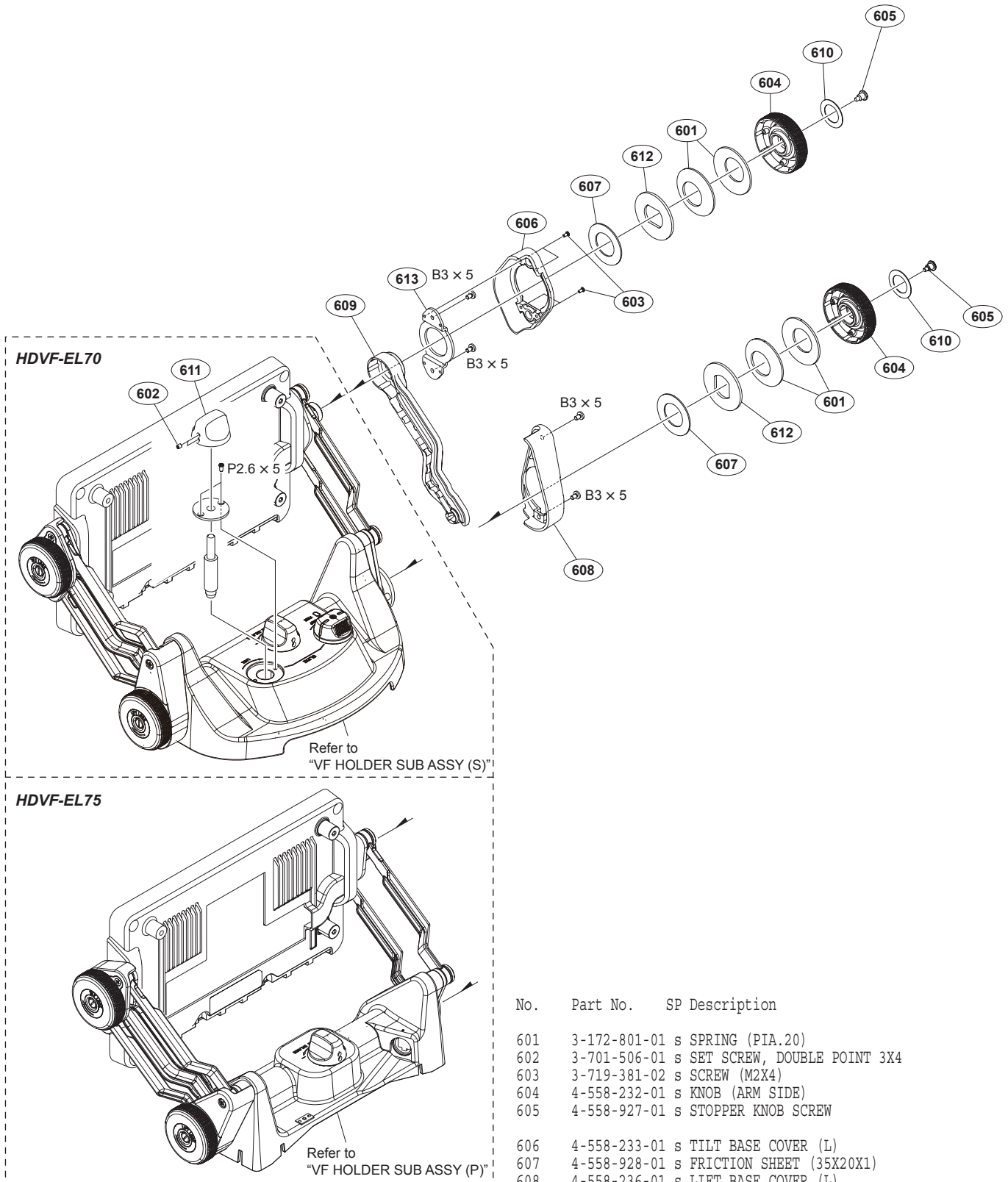
No.	Part No.	SP Description
401	1-482-025-11	s BEAD, FERRITE (CASE)
402	1-967-456-14	s HARNESS, SUB (VF CONNECTION1)
403	3-604-479-02	s ALOCK +B4X8
404	3-675-929-02	s NUT (50P), PLATE
405	3-692-333-01	o PLATE (LEFT)
406	3-692-334-01	o PLATE (RIGHT)
407	3-716-391-02	o WEDGE, MOUNTING
408	4-558-915-01	s V-SHOE BASE (A)
409	4-195-345-01	s V-SHOE BASE COVER (S)
410	4-559-953-01	s CARRY CUSHION
411	3-746-631-01	s BAND, BINDING
	7-627-556-58	s SCREW +P 2.6X5
	7-682-247-04	s SCREW +K 3X6
	7-682-546-09	s SCREW +B 3X5
	7-683-412-05	s BOLT, HEXAGON SOCKET 2.6X6



No.	Part No.	SP Description
501	1-482-025-11	s BEAD, FERRITE (CASE)
502	1-967-457-13	s HARNESS, SUB (VF CONNECTION2)
503	3-854-770-02	s WEDGE (D), MOUNTING
504	4-027-627-01	o SPRING (DIA. 18)
505	4-558-241-01	s VF HOLDER BASE CONER (P)
506	4-195-519-01	s BASE GUARD (P)
507	4-558-243-01	s BASE (TOP), PAN
508	4-558-244-01	s BASE (BOTTOM), PAN
509	4-558-246-01	s SHEET, PAN
510	4-197-161-01	s HOLDER, CABLE
511	4-577-013-01	s SPACER, PAN SHAFT
512	3-746-631-01	s BAND, BINDING

No.	Part No.	SP Description
7-621-591-00	s SCREW +K 2X4	
7-621-775-08	s SCREW +B 2.6X3	
7-621-775-20	s SCREW +B 2.6X5	
7-682-546-09	s SCREW +B 3X5	
7-682-561-04	s SCREW +B 4X8	
7-683-435-04	s BOLT, HEXAGON SOCKET 5X10	

# Holder Assembly

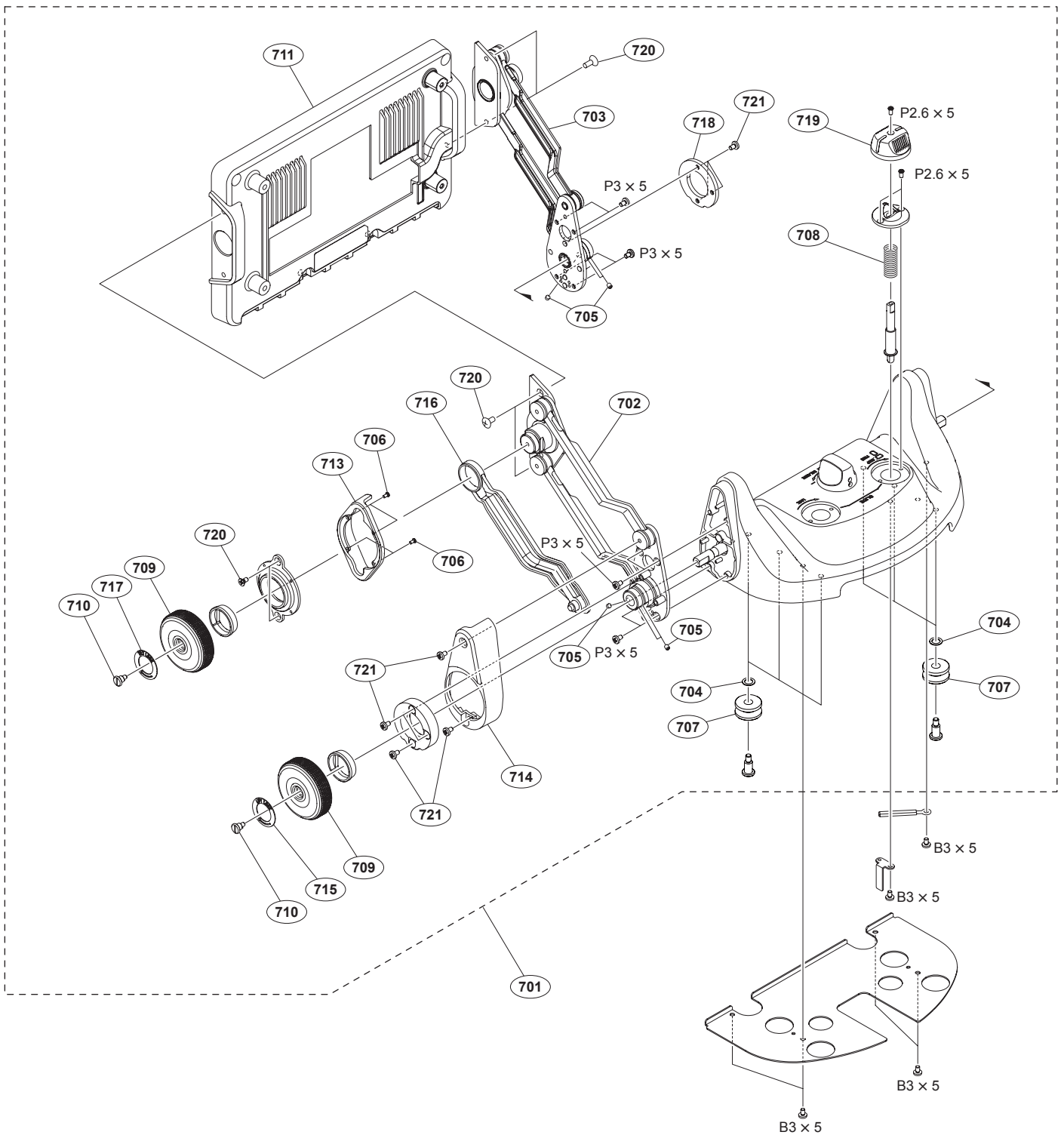


No.	Part No.	SP Description
601	3-172-801-01	s SPRING (PIA.20)
602	3-701-506-01	s SET SCREW, DOUBLE POINT 3X4
603	3-719-381-02	s SCREW (M2X4)
604	4-558-232-01	s KNOB (ARM SIDE)
605	4-558-927-01	s STOPPER KNOB SCREW
606	4-558-233-01	s TILT BASE COVER (L)
607	4-558-928-01	s FRICTION SHEET (35X20X1)
608	4-558-236-01	s LIFT BASE COVER (L)
609	4-558-237-01	s LIFT ARM COVER (L)
610	4-558-238-01	s NAME PLATE (+- ARROW)
611	4-558-221-01	s KNOB (STAGE)
612	4-558-234-01	s FRICTION PLATE (M)
613	4-558-239-01	s TILT COVER PLATE

7-627-556-58 s SCREW +P 2.6X5  
 7-682-546-09 s SCREW +B 3X5



# VF Holder Sub Assembly (S) (HDVF-EL70)

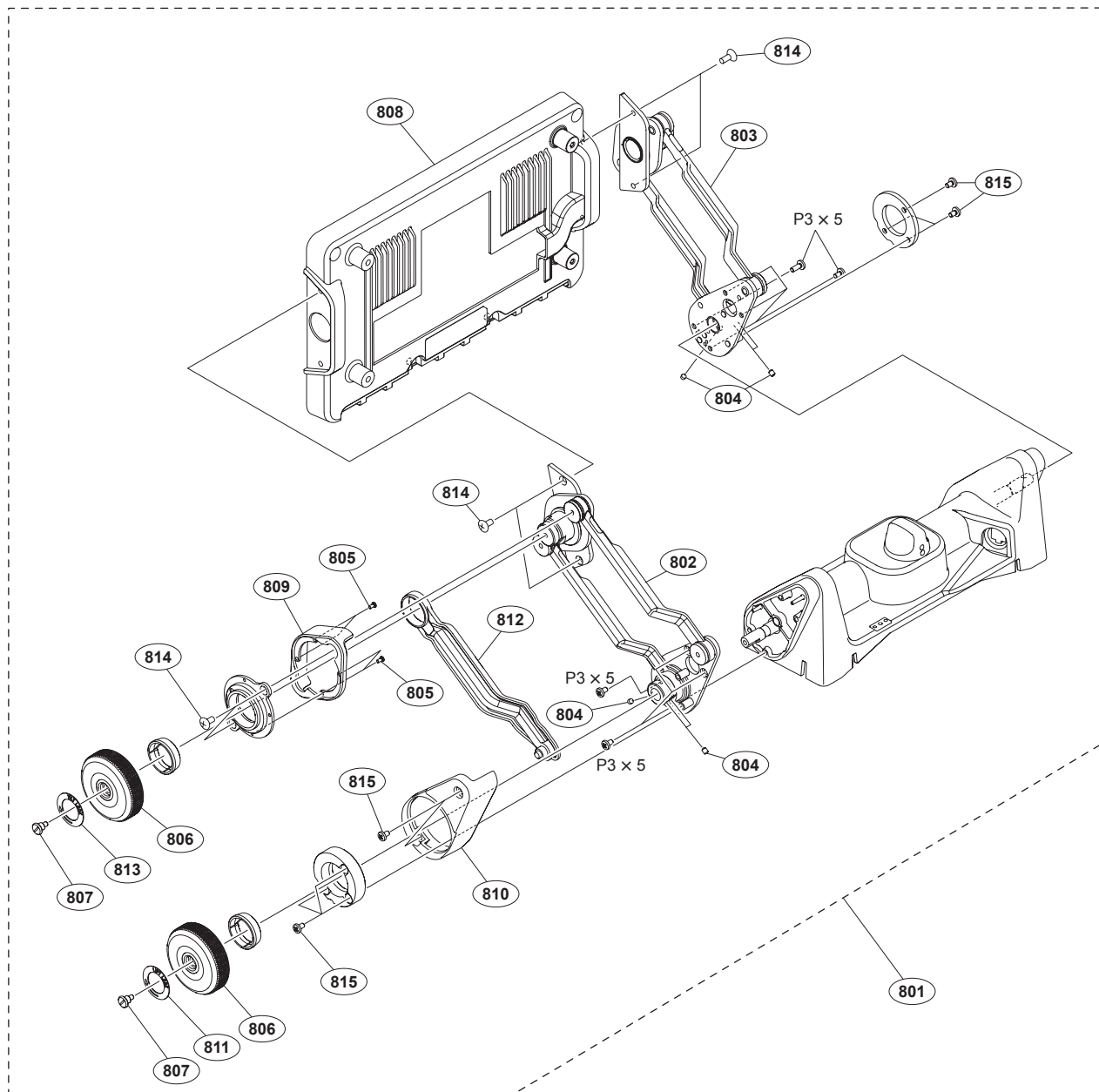


No.	Part No.	SP Description
701	A-2066-482-B	s VF HOLDER SUB ASSY (S)
702	X-2590-749-1	s ARM(R) SUB ASSY
703	X-2590-751-1	s ARM(LS) SUB ASSY
704	3-701-444-21	s WASHER, 6
705	3-701-506-01	s SET SCREW, DOUBLE POINT 3X4
706	3-719-381-02	s SCREW (M2X4)
707	4-559-075-01	s GUIDE ROLLER (M)
708	4-558-919-01	s CLICK SPRING
709	4-558-232-01	s KNOB (ARM SIDE)
710	4-558-927-01	s STOPPER KNOB SCREW

No.	Part No.	SP Description
711	4-558-932-01	s COVER, REAR
713	4-558-226-01	s TILT BASE COVER (R)
714	4-558-228-01	s LIFT BASE COVER (R)
715	4-558-229-01	s NAME PLATE (LIFT LOCK)
716	4-558-230-01	s LIFT ARM COVER (R)
717	4-558-231-01	s NAME PLATE (TILT LOCK)
718	4-559-076-01	s CLICK SPACER
719	4-559-077-01	s CLICK KNOB
720	4-146-663-01	s SCREW +K 3X6 (SCOTCH GRIP)
721	4-477-967-01	s SCREW, +B M3X5

- 7-627-556-58 s SCREW +P 2.6X5
- 7-682-146-09 s SCREW +P 3X5
- 7-682-546-09 s SCREW +B 3X5

# VF Holder Sub Assembly (P) (HDVF-EL75)



No.	Part No.	SP Description
801	A-2066-481-B	s VF HOLDER SUB ASSY (P)
802	X-2590-749-1	s ARM(R) SUB ASSY
803	X-2590-750-1	s ARM(L) SUB ASSY
804	3-701-506-01	s SET SCREW, DOUBLE POINT 3X4
805	3-719-381-02	s SCREW (M2X4)
806	4-558-232-01	s KNOB (ARM SIDE)
807	4-558-927-01	s STOPPER KNOB SCREW
808	4-558-932-01	s COVER, REAR
809	4-558-226-01	s TILT BASE COVER (R)
810	4-558-228-01	s LIFT BASE COVER (R)
811	4-558-229-01	s NAME PLATE (LIFT LOCK)
812	4-558-230-01	s LIFT ARM COVER (R)
813	4-558-231-01	s NAME PLATE (TILT LOCK)
814	4-146-663-01	s SCREW +K 3X6 (SCOTCH GRIP)
815	4-477-967-01	s SCREW, +B M3X5

7-682-146-09 s SCREW +P 3X5