

SONY®

LCD COLOR VIEWFINDER

HDVF-L750

HDVF-L770

SERVICE MANUAL

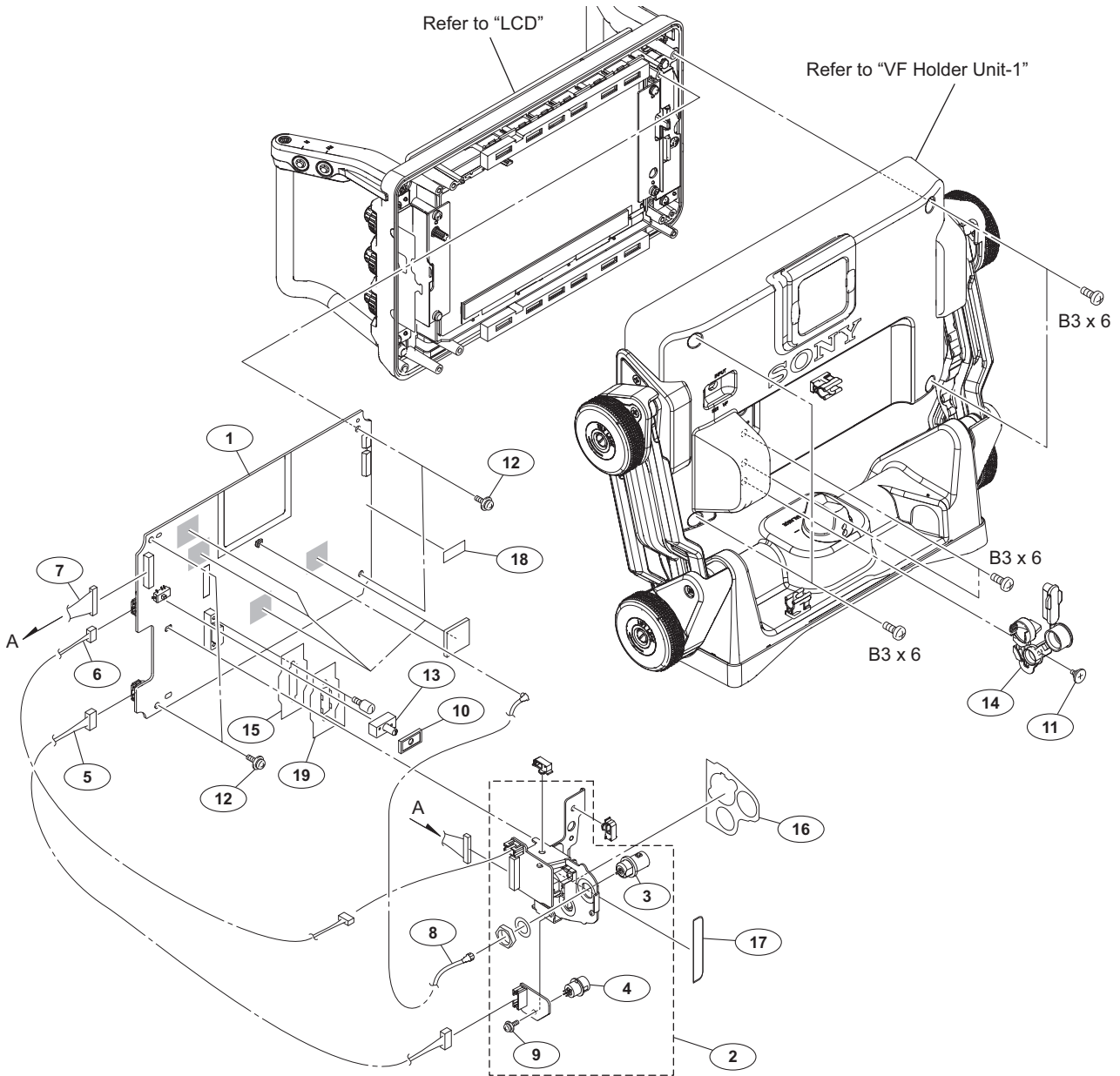
1st Edition

6-2. Exploded Views

Overall

Tip

Illustration: HDVF-L770

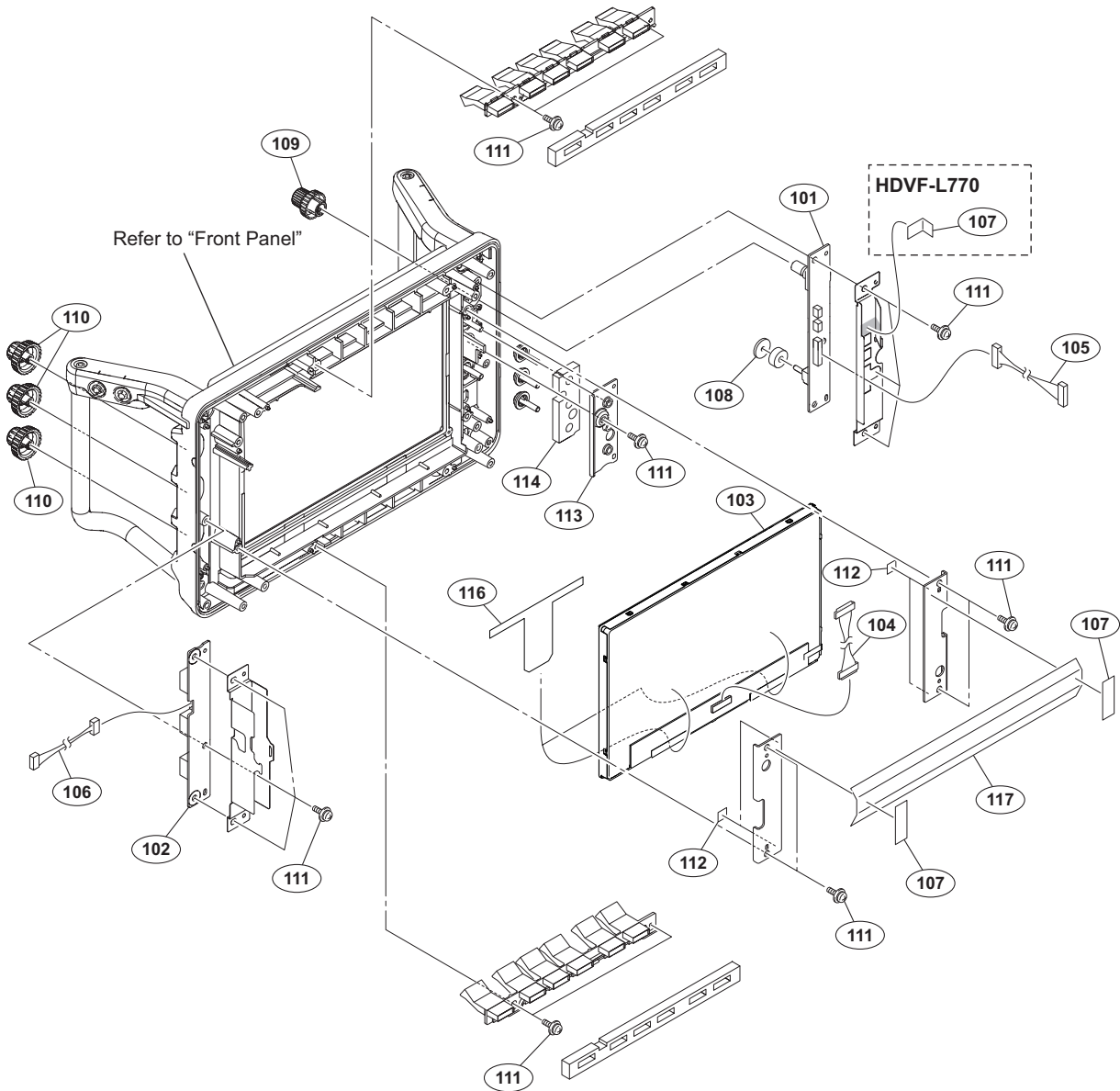


No.	Part No.	SP Description	No.	Part No.	SP Description
1	A-2054-974-A	s MOUNTED CIRCUIT BOARD, PR-332	13	4-472-863-01	s KNOB (B), SWITCH
2	A-2058-274-A	s CN ASSY	14	4-541-321-01	s CN-CAP
3	1-784-240-11	s CONVERTER, COAXIAL CONNECTOR	15	4-542-839-01	s PLATE, 26PIN CONNECTOR
4	1-818-828-11	s CONNECTOR, ROUND TYPE (RF) 4P	16	4-542-845-01	s SHEET (1), DROP PROTECTION
5	1-970-420-11	s HARNESS, SUB (POWER1)	17	4-542-846-01	s SHEET (3), DROP PROTECTION
6	1-970-421-11	s HARNESS, SUB (POWER2)	18	3-080-272-01	s TAPE (A)
7	1-970-423-11	s HARNESS, SUB (VIDEO IN)	19	4-547-416-01	s PLATE, VF GND
8	1-970-463-11	s HARNESS, COAXIAL (130MM)			
9	3-669-607-91	s +PSW (SMALL ROUND) (2.6) [PSW 2.6X6]			
10	3-796-995-01	s DROP PROTECTION (SW)		7-682-547-09	s SCREW +B 3X6
11	3-965-077-02	s SCREW, SPECIAL (M2)			
12	4-382-854-01	s SCREW (M3X8), P, SW (+)			

LCD

Tip

Illustration: HDVF-L770

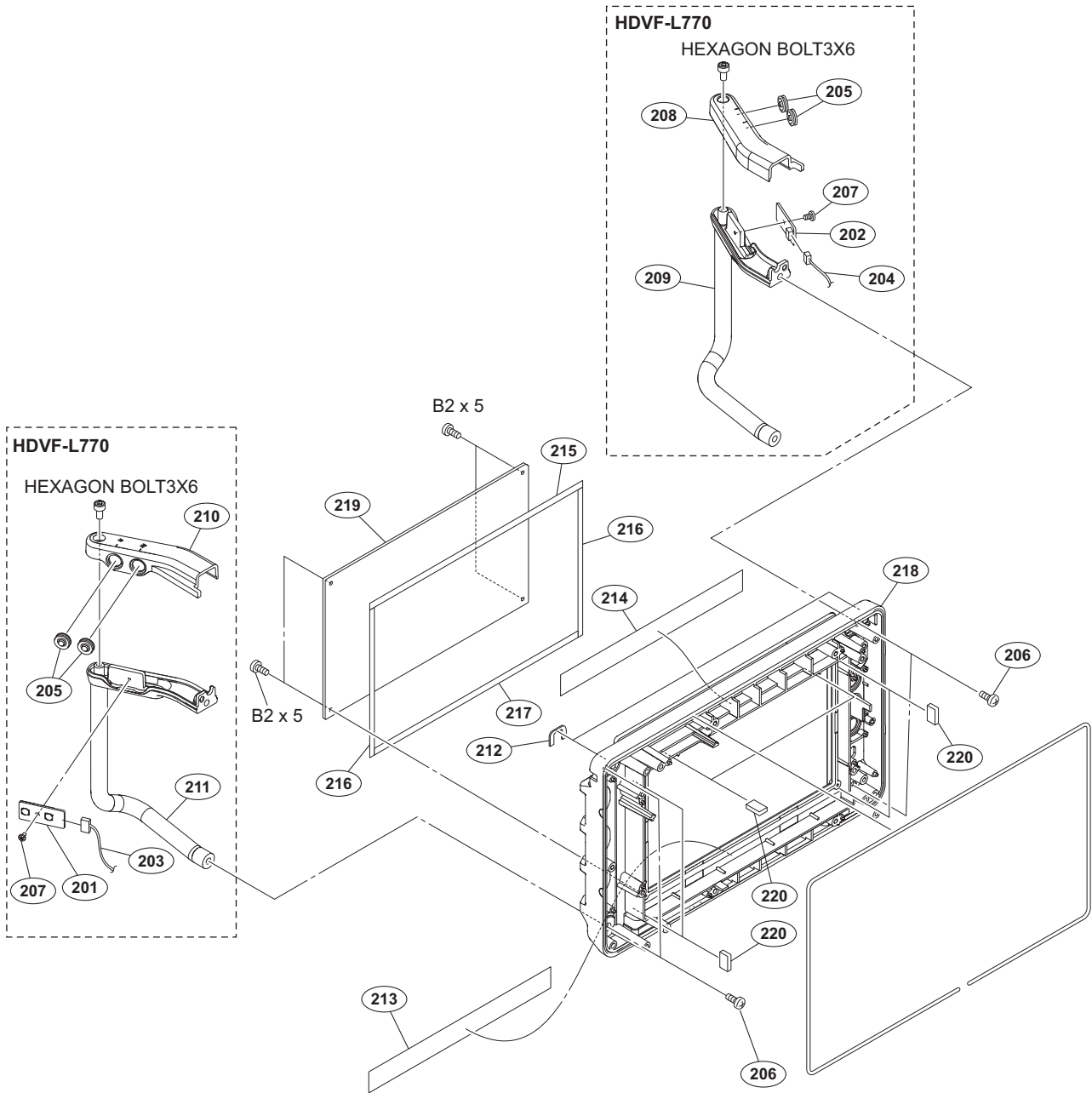


No.	Part No.	SP Description
101	A-2054-970-A	s MOUNTED CIRCUIT BOARD, SW-1636
102	A-2054-973-A	s MOUNTED CIRCUIT BOARD, VR-352
103	1-812-029-11	s LCD MODULE
104	1-969-506-12	s HARNESS (LCD)
105	1-970-422-11	s HARNESS, SUB (SW1)
106	1-970-424-11	s HARNESS, SUB (VR)
107	3-080-272-01	s TAPE (A)
108	3-869-883-01	s RUBER, DROP PROTECTION
109	4-183-519-01	s KNOB (B), RE (HDVF-L770)
	3-692-111-02	s KNOB, RE (HDVF-L750)
110	4-195-859-04	s KNOB, VOLUME
111	4-382-854-01	s SCREW (M3X8), P, SW (+)
112	4-542-838-01	s CUSHION, LCD
113	4-542-840-01	s COVER, BUTTON
114	4-542-841-01	s SHEET, SEALING
116	4-547-667-01	s SHEET (1), NOISE SUPPRESSION
117	4-547-668-01	s SHEET (2), NOISE SUPPRESSION

Front Panel

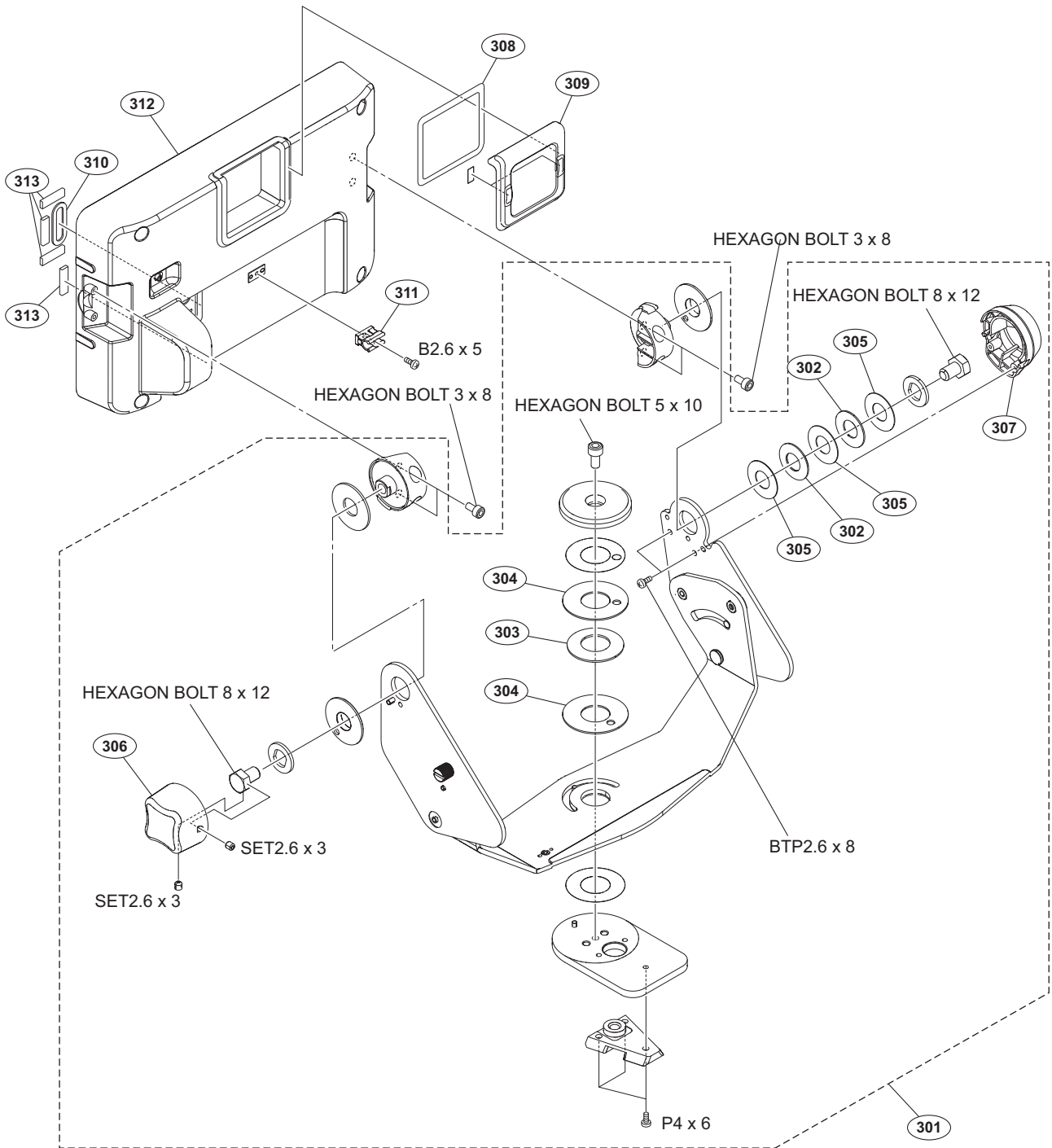
Tip

Illustration: HDVF-L770



No.	Part No.	SP Description	No.	Part No.	SP Description
201	A-2054-971-A	s MOUNTED CIRCUIT BOARD, SW-1637	215	4-542-842-01	s SHEET (UPPER), DROP PROTECTION
202	A-2054-972-A	s MOUNTED CIRCUIT BOARD, SW-1638	216	4-542-843-01	s SHEET (SIDE), DROP PROTECTION
203	1-970-427-11	s HARNESS, SUB (SW2)	217	4-542-844-01	s SHEET (LOWER), DROP PROTECTION
204	1-970-428-11	s HARNESS, SUB (SW3)	218	4-542-949-01	s PANEL, FRONT (HDVF-L770)
205	3-676-244-03	s COVER, SWITCH	219	4-542-949-11	s PANEL, FRONT (HDVF-L750)
206	3-685-694-02	s NYLOCK +PSW M4 [PSW 4X12]	220	4-542-951-01	s PLATE, LCD PROTECTION
207	3-729-076-21	s SCREW (+B) (2X6)			
208	4-195-863-01	s COVER (LEFT), HANDLE		7-621-772-20	s SCREW +B 2X5
209	4-195-864-02	s BASE (LEFT), HANDLE		7-683-403-04	s BOLT, HEXAGON SOCKET 3X6
210	4-195-867-01	s COVER (RIGHT), HANDLE			
211	4-195-868-02	s BASE (RIGHT), HANDLE			
212	4-196-282-11	s SHEET(HANDLE), SEALING			
213	4-542-836-01	s SHEET (LOWER), LED (INDICATION)			
214	4-542-837-01	s SHEET (UPPER), LED (INDICATION)			

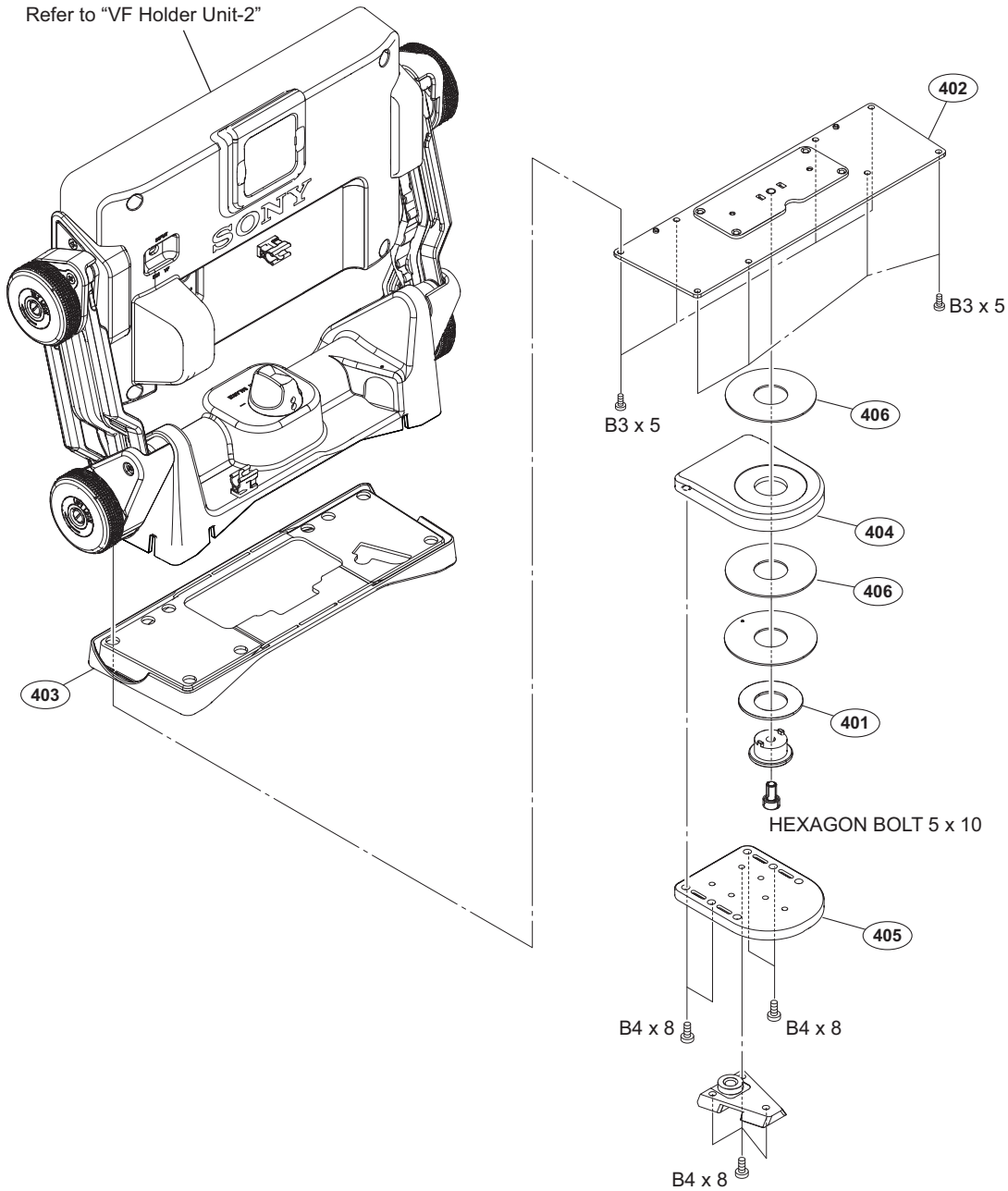
Base Pan Tilt Assembly (HDVF-L750)



No.	Part No.	SP Description	No.	Part No.	SP Description
301	A-2057-890-A	s BASE PAN TILT ASSY	313	4-547-669-01	s GASKET, CN
302	3-167-487-01	o SPRING, PLATE		7-621-734-09	s SET-SCT, HEX. 2.6X3
303	4-027-627-01	o SPRING (DIA. 18)		7-621-775-20	s SCREW +B 2.6X5
304	4-126-082-01	s SPACER, PAN (A)		7-682-160-09	s SCREW +P 4X6
305	4-126-085-01	s SPACER (2)		7-683-378-07	s BOLT, HEXAGON 8X12
306	4-172-639-01	s KNOB, TILT		7-683-404-04	s BOLT, HEXAGON SOCKET 3X8
307	4-172-640-01	s COVER (L)		7-683-435-04	s BOLT, HEXAGON SOCKET 5X10
308	4-195-869-11	s ADHESIVE (TALLY)		7-685-534-19	s SCREW +BTP 2.6X8 TYPE2 N-S
309	4-195-870-02	s COVER, TALLY			
310	4-542-847-01	s SHEET (4), DROP PROTECTION			
311	4-542-878-01	s HOLDER, CABLE			
312	4-542-950-11	s PANEL, REAR			

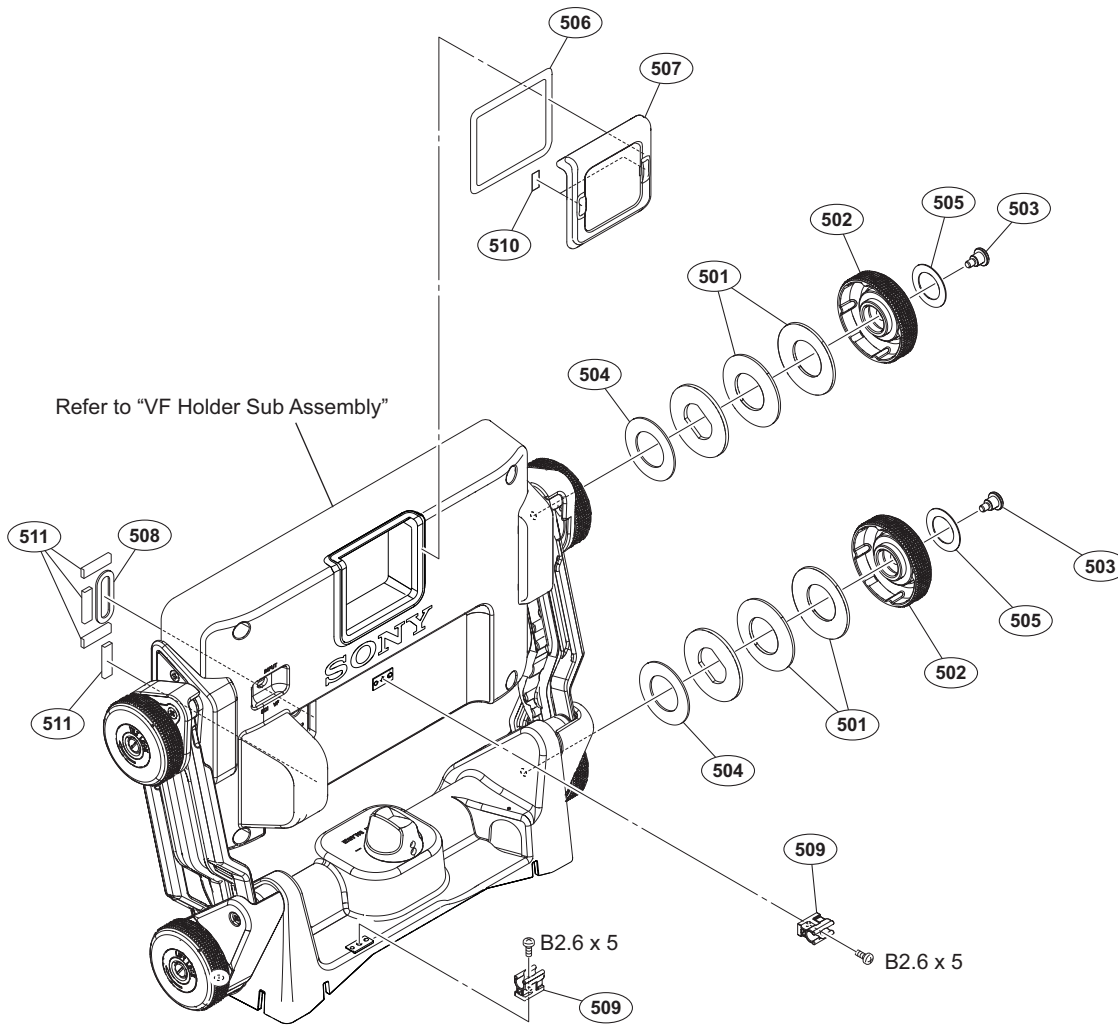
VF Holder Unit-1 (HDVF-L770)

Refer to "VF Holder Unit-2"



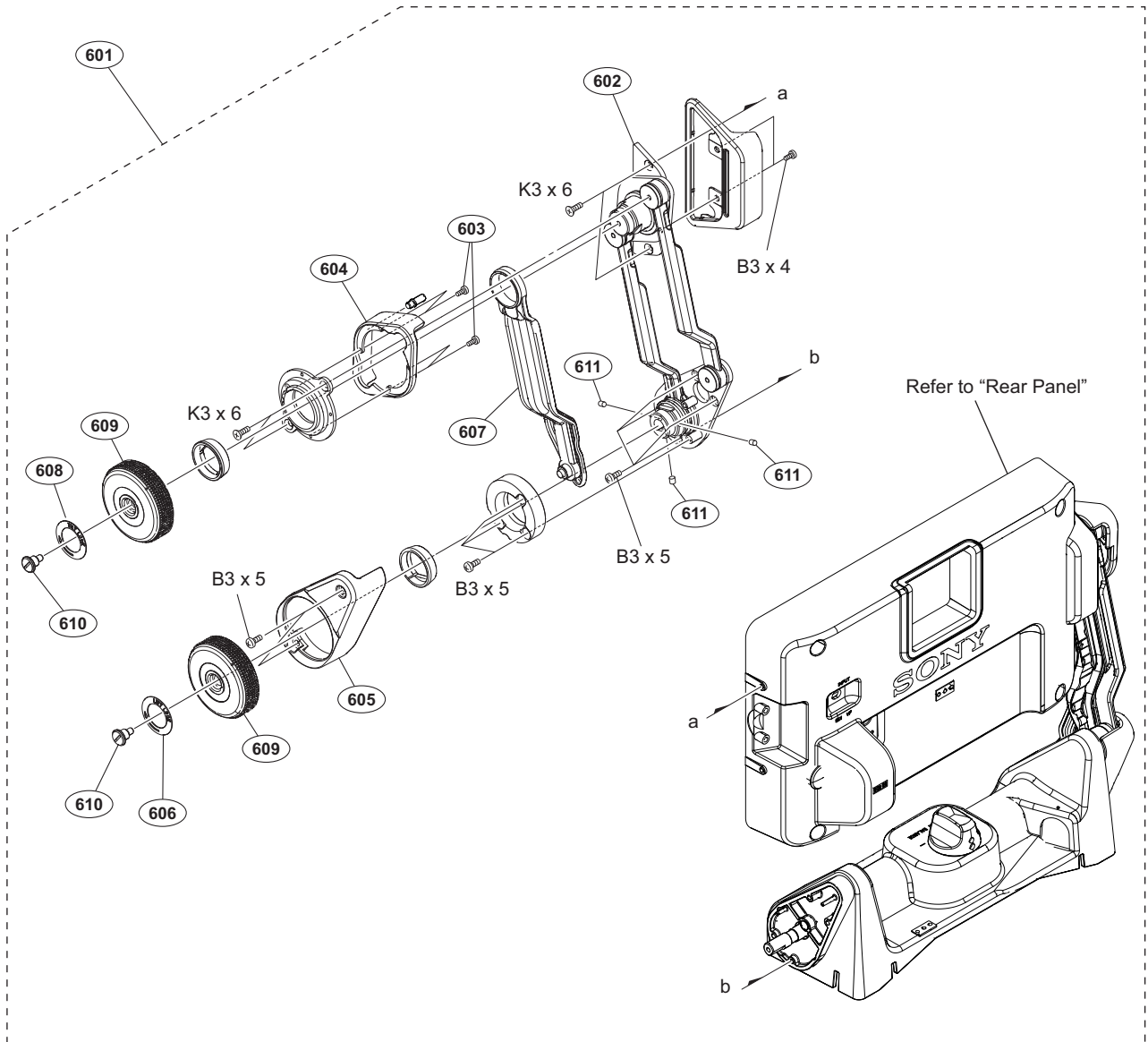
No.	Part No.	SP Description
401	4-027-627-01	o SPRING (DIA. 18)
402	4-195-518-01	s VF HOLDER BASE CONER (P)
403	4-195-519-01	s BASE GUARD (P)
404	4-195-522-01	s BASE (TOP), PAN
405	4-195-523-02	s BASE (BOTTOM), PAN
406	4-195-525-02	s SHEET, PAN
	7-682-546-09	s SCREW +B 3X5
	7-682-561-04	s SCREW +B 4X8
	7-683-435-04	s BOLT, HEXAGON SOCKET 5X10

VF Holder Unit-2 (HDVF-L770)



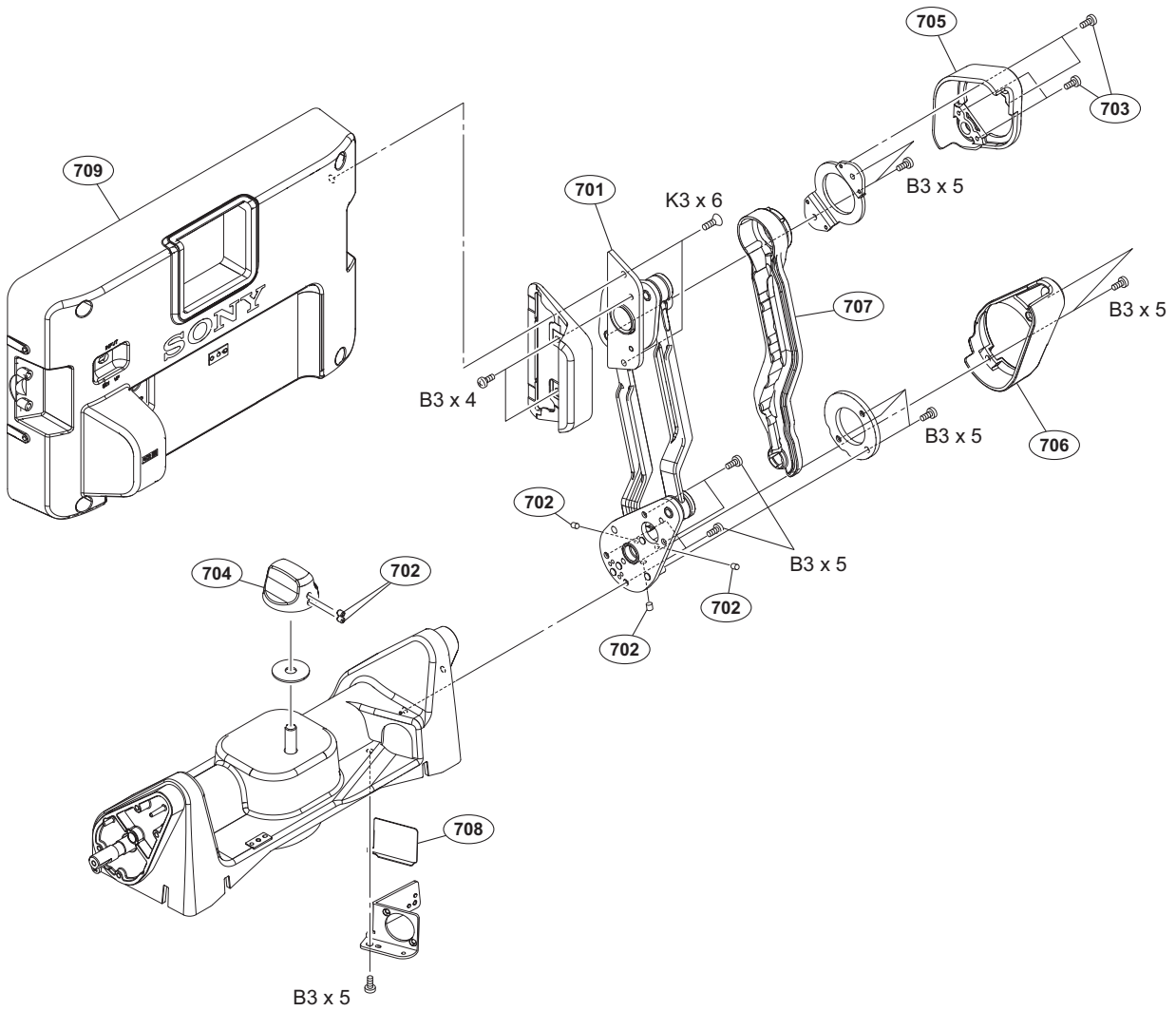
No.	Part No.	SP Description
501	3-172-801-01 s	SPRING (PIA.20)
502	4-195-444-03 s	KNOB (ARM SIDE)
503	4-195-445-01 s	STOPPER KNOB SCREW
504	4-195-448-02 s	FRICITION SHEET (35X20X1)
505	4-195-452-01 s	NAME PLATE (+- ARROW)
506	4-195-869-11 s	ADHESIVE (TALLY)
507	4-195-870-02 s	COVER, TALLY
508	4-542-847-01 s	SHEET (4), DROP PROTECTION
509	4-542-878-01 s	HOLDER, CABLE
510	4-174-649-11 s	SEAL, TALLY COVER
511	4-547-669-01 s	GASKET, CN
	7-621-775-20 s	SCREW +B 2.6X5

VF Holder Sub Assembly



No.	Part No.	SP Description
601	A-2059-735-A	s VF HOLDER SUB ASSY
602	X-2548-740-5	s ARM(R) SUB ASSY
603	3-719-381-02	s SCREW (M2X4)
604	4-195-416-01	s TILT BASE COVER (R)
605	4-195-418-02	s LIFT BASE COVER (R)
606	4-195-419-01	s NAME PLATE (LIFT LOCK)
607	4-195-420-01	s LIFT ARM COVER (R)
608	4-195-421-01	s NAME PLATE (TILT LOCK)
609	4-195-444-03	s KNOB (ARM SIDE)
610	4-195-445-01	s STOPPER KNOB SCREW
611	3-701-506-01	s SET SCREW, DOUBLE POINT 3X4
	7-682-247-09	s SCREW +K 3X6
	7-682-545-09	s SCREW +B 3X4
	7-682-546-09	s SCREW +B 3X5

Rear Panel (HDVF-L770)



No.	Part No.	SP Description
701	X-2548-741-6 s	ARM(L) SUB ASSY
702	3-701-506-01 s	SET SCREW, DOUBLE POINT 3X4
703	3-719-381-02 s	SCREW (M2X4)
704	4-195-368-01 s	KNOB (STAGE)
705	4-195-446-01 s	TILT BASE COVER (L)
706	4-195-450-02 s	LIFT BASE COVER (L)
707	4-195-451-02 s	LIFT ARM COVER (L)
708	4-542-880-01 s	COVER, CN
709	4-542-950-01 s	PANEL, REAR

7-682-247-09 s	SCREW +K 3X6
7-682-545-09 s	SCREW +B 3X4
7-682-546-09 s	SCREW +B 3X5

6-3. Supplied Accessories

HDVF-L750

Q'ty	Part No.	SP Description
1pc	A-2057-914-A	s HOOD (750) ASSY, INDOOR
1pc	A-7612-405-F	s SHOE ASSY, V EDGE
1pc	1-838-608-21	s CORD, CONNECTION (VF) 20P
1pc	1-848-062-21	s CABLE, CONNECTION (VF) 26P
1pc	4-027-937-03	s PLATE, NUMBER
1pc	4-542-851-01	s BRACKET, SHOE CONVERSION
1pc	△ 4-543-737-01	s CD-ROM PACK
1pc	4-544-648-01	s TUBE, SPIRAL
4pcs	7-682-549-09	s SCREW +B 3X10
4pcs	7-683-421-04	o BOLT, HEXAGON SOCKET 4X12
1pc	7-721-130-20	s WRENCH, L (3.0MM)

HDVF-L770

Q'ty	Part No.	SP Description
1pc	A-1793-995-B	s HOOD ASSY, INDOOR
1pc	A-7612-405-F	s SHOE ASSY, V EDGE
1pc	1-838-608-21	s CORD, CONNECTION (VF) 20P
1pc	4-027-937-03	s PLATE, NUMBER
1pc	△ 4-543-737-01	s CD-ROM PACK
1pc	4-544-648-01	s TUBE, SPIRAL
4pcs	7-683-421-04	o BOLT, HEXAGON SOCKET 4X12
1pc	7-721-130-20	s WRENCH, L (3.0MM)