

# HXR-NX5C/NX5E/NX5J/NX5M/NX5N/NX5P/NX5U

RMT-845

## SERVICE MANUAL

Ver. 1.1 2010.01

### Revised-1

Replace the previously issued SERVICE MANUAL 9-852-737-11 with this Manual.



Photo: HXR-NX5U

*US Model  
Canadian Model  
AEP Model  
E Model  
Chinese Model  
Japanese Model*

### SERVICE NOTE (Check the following note before the service.)

- 1-1. POWER SUPPLY DURING REPAIRS
- 1-2. PRECAUTION ON REPLACING THE VC-582 BOARD
- 1-3. SELF-DIAGNOSIS FUNCTION
- 1-4. GPS RECEIVING CHECK(NX5E/NX5J/NX5N/NX5P/NX5U)
- 1-5. PRECAUTION ON REPLACING THE GY-022 BOARD

• Regarding the Adjustment, refer to SERVICE MANUAL 9-852-737-5□.

Digital HD Video Camera Recorder

# SONY®

The components identified by mark  $\Delta$  or dotted line with mark  $\Delta$  are critical for safety. Replace only with part number specified.

Les composants identifiés par une marque  $\Delta$  sont critiques pour la sécurité. Ne les remplacer que par une pièce portant le numéro spécifié.

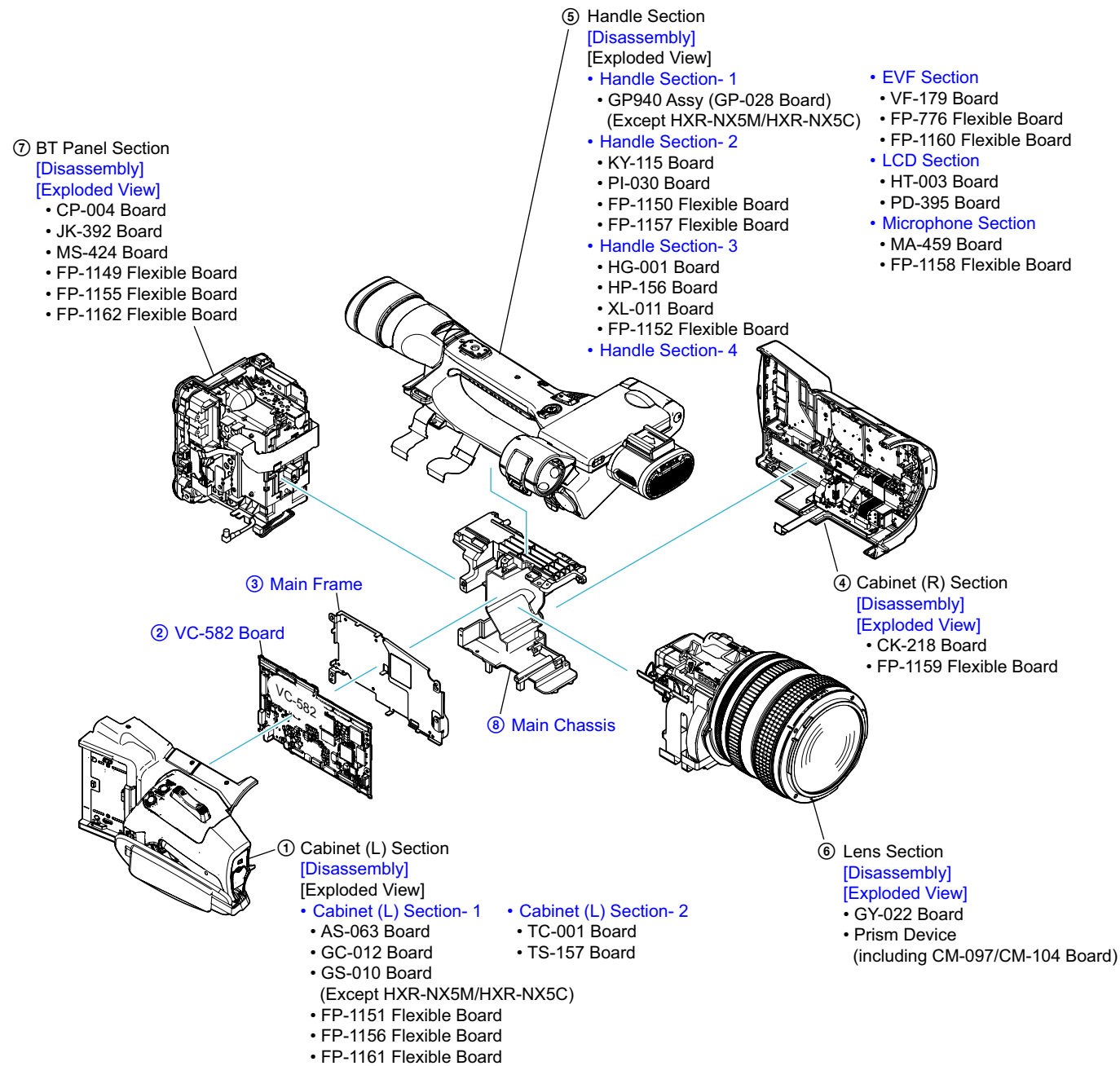
## Revision History

Ver.	Date	History	Contents	S.M. Rev. issued
1.0	2010.01	Official Release	—	—
1.1	2010.01	Revised-1 (A1 09-396)	<ul style="list-style-type: none"> <li>• Correction of SERVICE NOTE Page 1-2, 1-4</li> <li>• Correction of EXPLODED VIEWS Page 2-3, 2-4, 2-6, 2-7, 2-10, 2-12, 2-13, 2-14</li> <li>• Correction of SUPPLIED ACCESSORIES Page 2-18</li> <li>• Correction of ELECTRICAL PARTS LIST Page 2-19, 2-20, 2-30</li> <li>• Correction of BLOCK DIAGRAMS Page 4-2,4-5, 4-7, 4-8, 4-11</li> <li>• Correction of FRAME SCHEMATIC DIAGRAMS Page 5-1, 5-2</li> <li>• Correction of SCHEMATIC DIAGRAMS Page 6-32, 6-40, 6-44, 6-49</li> <li>• Correction of PRINTED WIRING BOARDS Page 6-68, 6-69</li> </ul>	Yes

## 2. REPAIR PARTS LIST

### IDENTIFYING PARTS

Follow the disassembly in the numerical order given.



### (ENGLISH)

#### NOTE:

- -XX, -X mean standardized parts, so they may have some differences from the original one.
- Items marked "\*" are not stocked since they are seldom required for routine service. Some delay should be anticipated when ordering these items.
- The mechanical parts with no reference number in the exploded views are not supplied.
- Due to standardization, replacements in the parts list may be different from the parts specified in the diagrams or the components used on the set.
- CAPACITORS:  
uF:  $\mu$ F  
COILS  
uH:  $\mu$ H
- RESISTORS  
All resistors are in ohms.  
METAL: metal-film resistor  
METAL OXIDE: Metal Oxide-film resistor  
F: nonflammable
- SEMICONDUCTORS  
In each case, u:  $\mu$ , for example:  
uA...:  $\mu$ A..., uPA...,  $\mu$ PA...,  
uPB...,  $\mu$ PB...,  $\mu$ PC...,  $\mu$ PC...,  
uPD...,  $\mu$ PD...

### (JAPANESE)

#### 【使用上の注意】

- ここに記載されている部品は、補修用部品であるため、回路図及びセットに付いている部品と異なる場合があります。
- -XX, -Xは標準化部品のため、セットに付いている部品と異なる場合があります。
- \*印の部品は常備在庫していません。
- コンデンサの単位でuFは $\mu$ Fを示します。
- 抵抗の単位 $\Omega$ は省略してあります。
- 金 被：金属被膜抵抗。
- サンキン：酸化金属被膜抵抗。
- インダクタの単位でuHは $\mu$ Hを示します。
- 半導体の名称でuA..., uPA..., uPB..., uPC..., uPD...等はそれぞれ $\mu$ A...,  $\mu$ PA...,  $\mu$ PB...,  $\mu$ PC...,  $\mu$ PD...を示します。

When indicating parts by reference number, please include the board name.

The components identified by mark  $\Delta$  or dotted line with mark  $\Delta$  are critical for safety. Replace only with part number specified.

Les composants identifiés par une marque  $\Delta$  sont critiques pour la sécurité. Ne les remplacer que par une pièce portant le numéro spécifié.

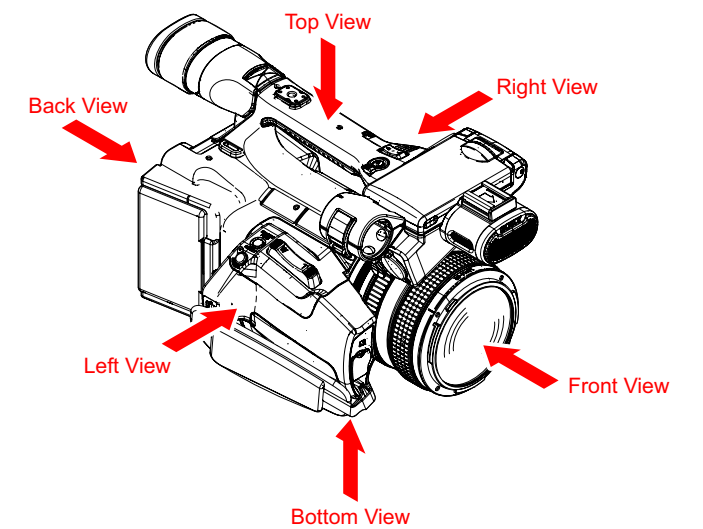
お願い  
図面番号で部品を指定するときは基板名又はブロックを併せて指定してください。

$\Delta$ 印の部品、または $\Delta$ 印付の点線で囲まれた部品は、安全性を維持するために、重要な部品です。従って交換時は、必ず指定の部品を使用してください。

#### • Abbreviation

CH : Chinese model  
CND : Canadian model  
J : Japanese model

### View Position



Link

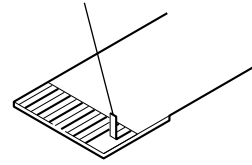
ACCESSORIES

ASSEMBLY

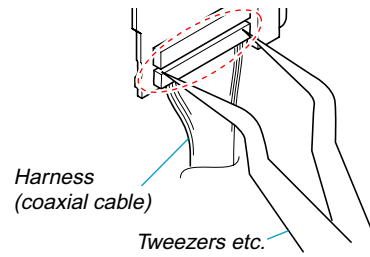
### NOTE FOR REPAIR

- Make sure that the flat cable and flexible board are not cracked or bent at the terminal.  
Do not insert the cable insufficiently nor crookedly.
- When remove a connector, don't pull at wire of connector. It is possible that a wire is snapped.
- When installing a connector, don't press down at wire of connector.  
It is possible that a wire is snapped.
- Do not apply excessive load to the gilded flexible board.

Cut and remove the part of gilt which comes off at the point.  
(Be careful or some pieces of gilt may be left inside)



### NOTE FOR DISCONNECTING THE HARNESS (COAXIAL CABLE)

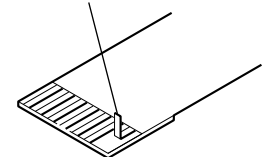


When disconnecting the harness (COAXIAL CABLE), do not pull the harness part but pull off the connector body with tweezers etc.

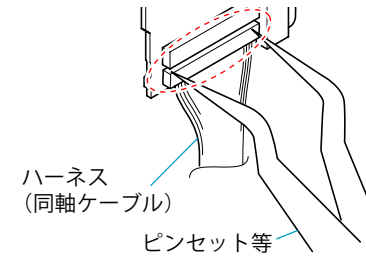
### 修理時の注意

- フラットケーブルおよびフレキシブル基板の端子面に欠け、折れ等がないことを確認する。  
また、コネクタへの接続は、差し込み不足や斜め差しにならないように注意する。
- コネクタを取り外す時に、線材部(極細)を持って引っ張ると断線する恐れがありますので、絶対に線材部(極細)を持って引っ張らないでください。
- 線材部(極細)を押さえながらコネクタを差し込むと、線材部(極細)が断線する恐れがありますので、絶対に線材部(極細)には負担をかけないでください。
- 金メッキされているフレキシブル基板には、強い負担をかけないでください。

先端の剥がれたメッキ部はカットして除去してください。  
(メッキ破片がコネクタ内に残っている場合もあるので注意してください)



### ハーネス(同軸ケーブル)の交換について

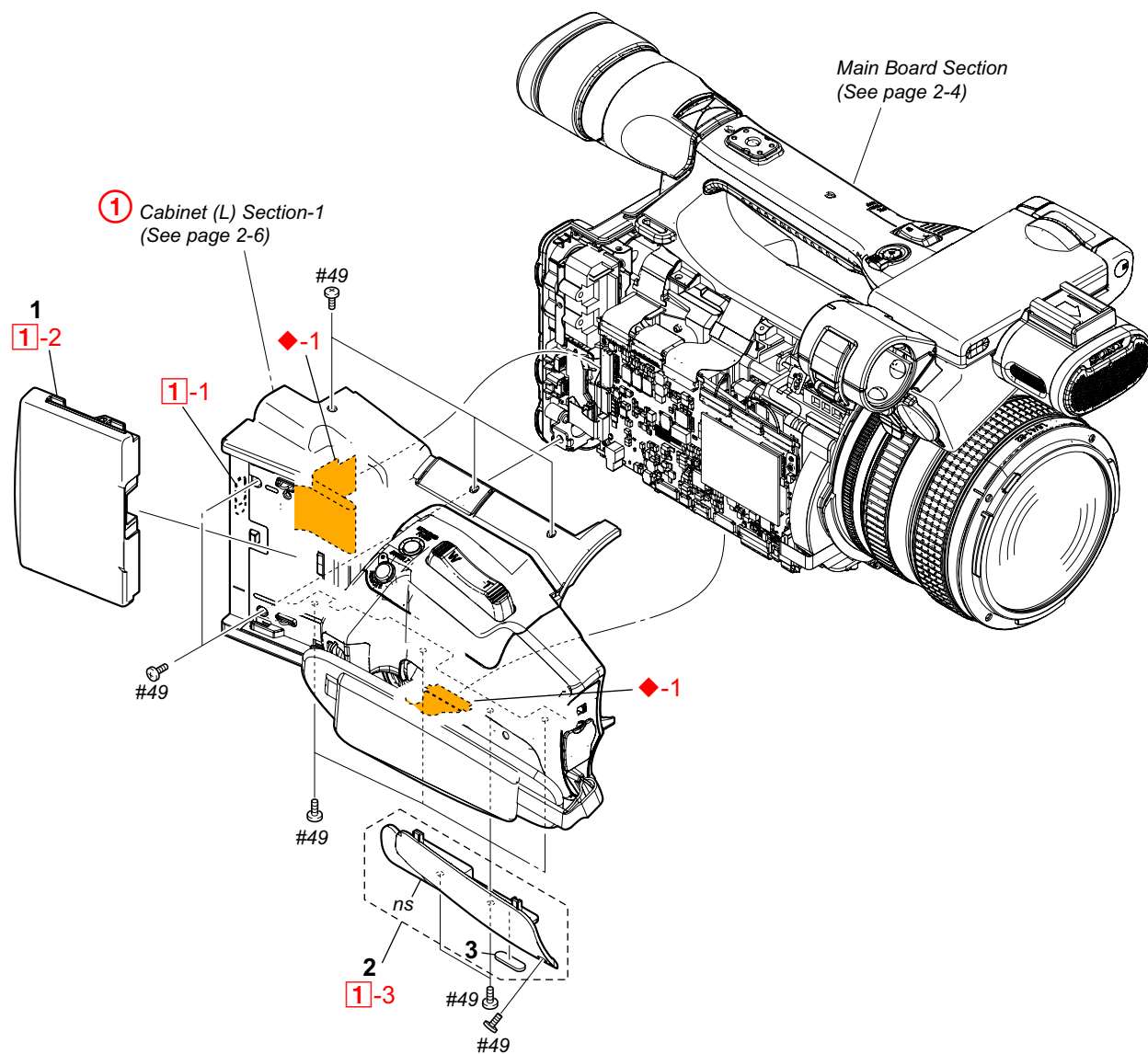


ハーネス(同軸ケーブル)を引き抜く際は、ハーネス部を引かず、ピンセット等でコネクタ部を引いてください。

## 2-1. EXPLODED VIEWS

### 2-1-1.OVERALL SECTION

ns: not supplied



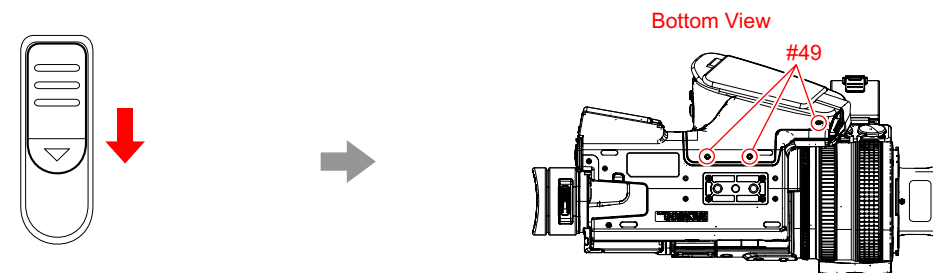
Ref. No.	Part No.	Description
1	4-165-238-01	COVER, EXT DUMMY
2	X-2515-789-1	COVER ASSY, GRIP
3	2-178-805-01	FOOT, RUBBER
#49	2-630-005-31	SCREW (M2), NEW TRUSTER, P2

HXR-NX5C/NX5E/NX5J/NX5M/NX5N/NX5P/NX5U

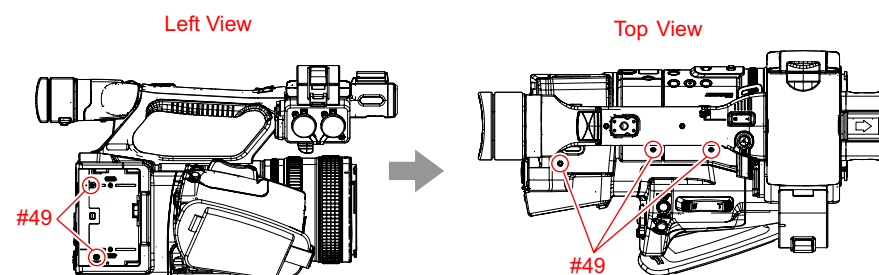
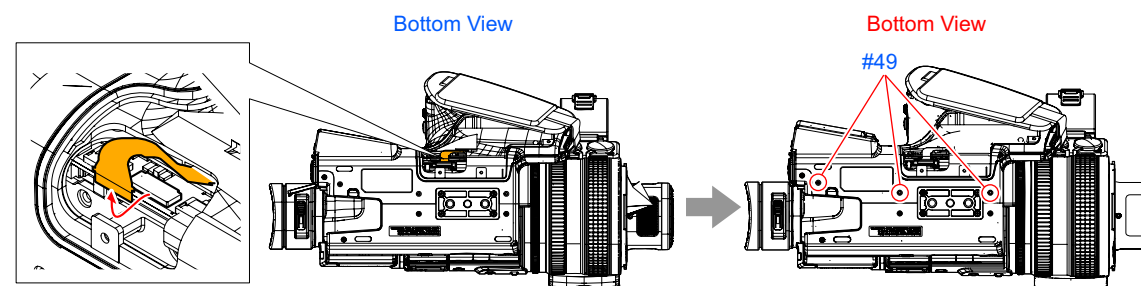
## DISASSEMBLY

1. Remove to numerical order ① (1-1 to 1-3) in the left figure.
2. The meaning of the sign in left figure is as follows. Be careful when it removes.  
 ◆-X: Flexible Board, Flat Cable, Harness

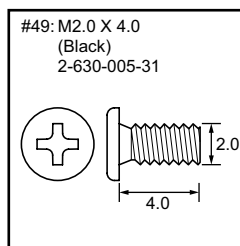
① Release button (1-1) → EXT Dummy Cover (1-2) → #49 X 3 → Grip Cover Assy (1-3)



→ Flexible Board → #49 X 8

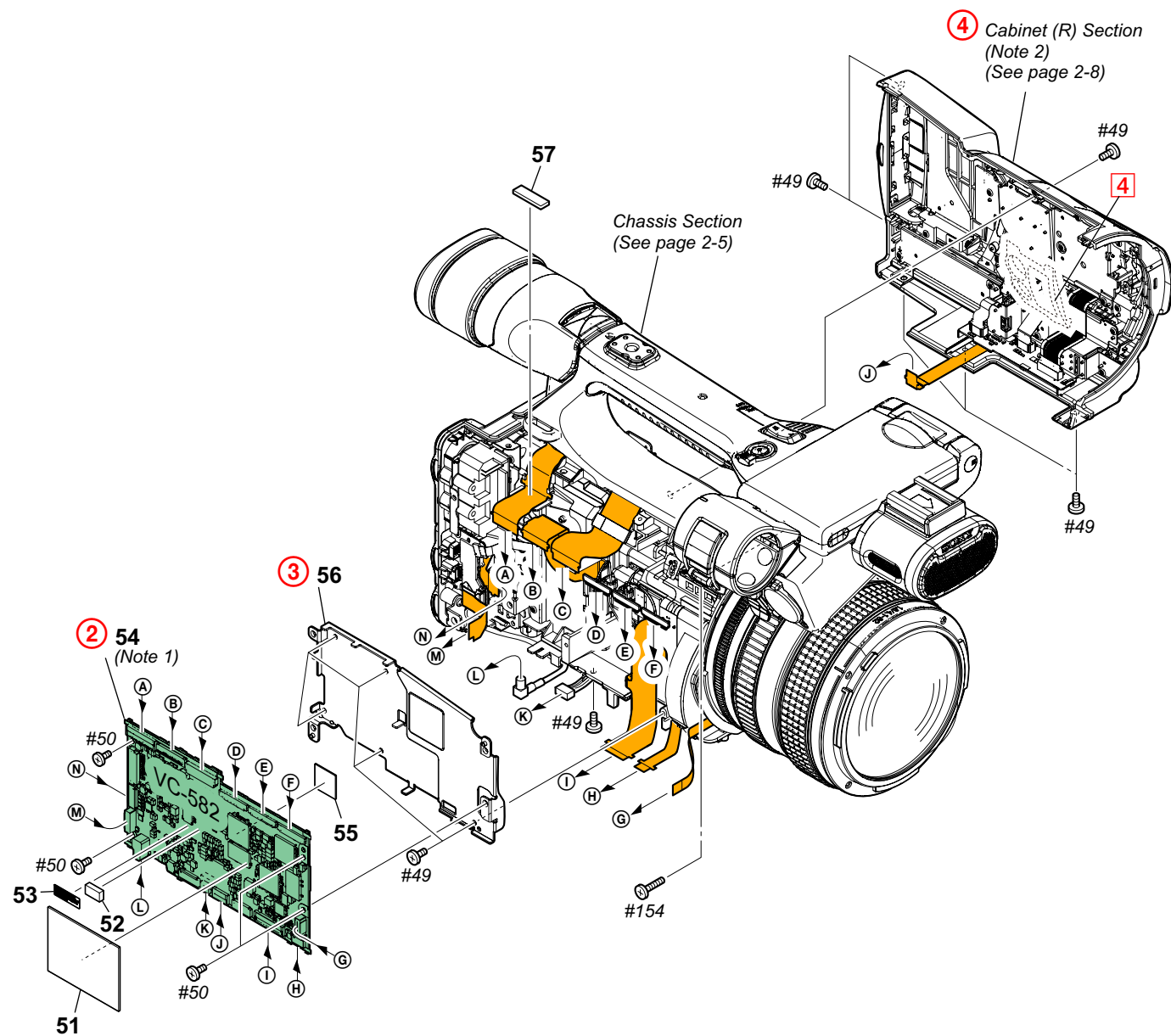


## Screw





## 2-1-2. MAIN BOARD SECTION



Ref. No.	Part No.	Description
* 51	4-165-223-01	SHEET (4535T1), RADIATION
* 52	4-170-751-01	SPACER (A), VC
* 53	4-165-995-01	LABEL, FUSE
54	A-1758-578-A	VC-582 BOARD, COMPLETE (SERVICE) (Note 1)
* 55	4-166-044-01	SPACER (B), VC

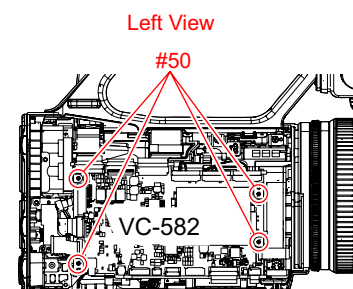
Ref. No.	Part No.	Description
* 56	4-165-252-01	FRAME, MAIN
* 57	4-175-181-01	SHEET (FP1152), WATERPROOF
#49	2-630-005-31	SCREW (M2), NEW TRUSTER, P2
#50	2-891-494-11	SCREW (M2), NEW TRUSTER, P2
#154	7-627-556-97	SCREW, PRECISION +P2.6X8 TYPE 1

HXR-NX5C/NX5E/NX5J/NX5M/NX5N/NX5P/NX5U

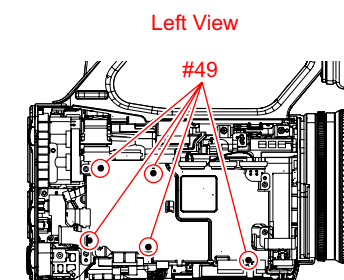
## DISASSEMBLY

1. Remove to numerical order (2 to 4) in the left figure.
2. The meaning of the sign in left figure is as follows. Be careful when it removes.  
 ◆-X: Flexible Board, Flat Cable, Harness

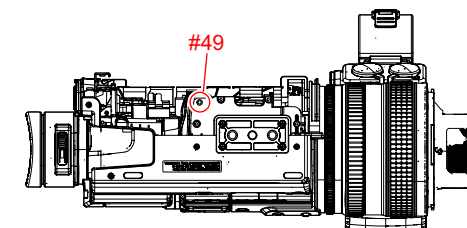
2 #50 X 4



3 #49 X 6

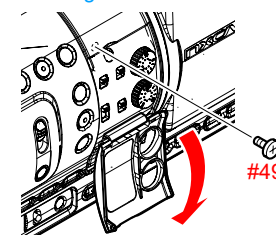


Bottom View

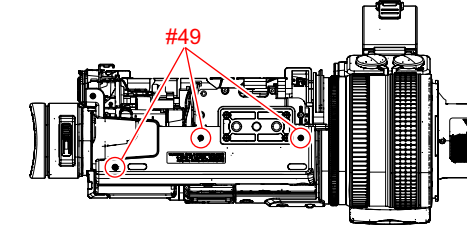


4 Open Lid AL (4) → #49 X 6 → #154 X 1

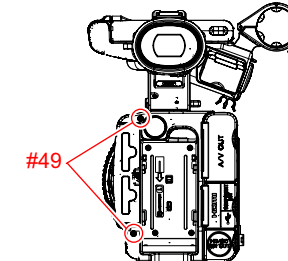
Right View



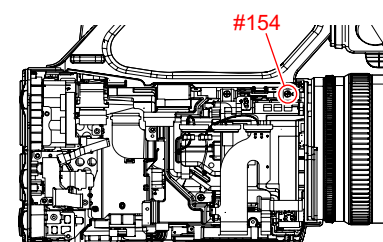
Bottom View



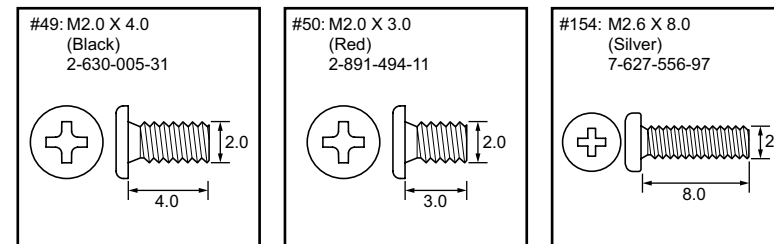
Back View



Left View



## Screw



## Note

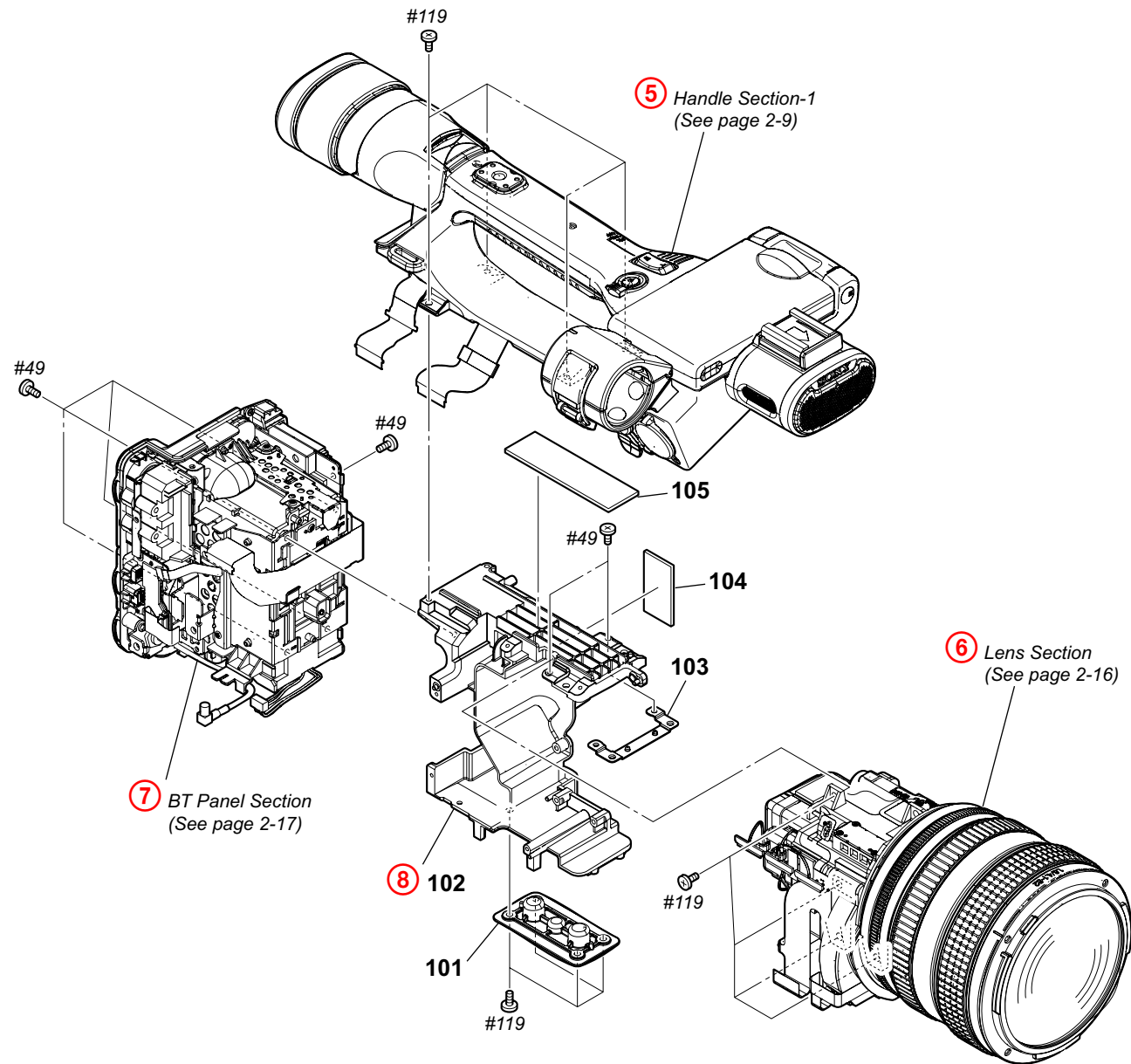
**Note 1:** Refer to "Assembly-8: How to arrange Harness (Coaxial Cable)" when installing.

**Note 2:** Refer to "Assembly-7: On installation of the Cabinet (R) section, adjust the position of the ND filter switch" when installing.

**Note 1:** 組立時は"Assembly-8: How to arrange Harness (Coaxial Cable)"を参照してください。

**Note 2:** 組立時は"Assembly-7: On installation of the Cabinet (R) section, adjust the position of the ND filter switch"を参照してください。

## 2-1-3. CHASSIS SECTION



Ref. No.	Part No.	Description
101	4-119-234-11	WASHER, TRIPOD
* 102	4-165-251-01	CHASSIS, MAIN
103	4-119-237-01	PLATE (F), MC FIXED
* 104	4-165-225-01	SHEET (3218T1), RADIATION
105	4-165-224-01	SHEET (6018T1), RADIATION

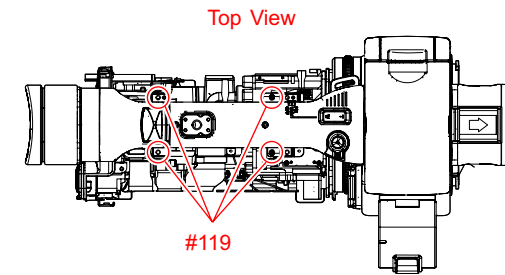
Ref. No.	Part No.	Description
#49	2-630-005-31	SCREW (M2), NEW TRUSTER, P2
#119	7-627-556-58	SCREW +P 2.6X5

HXR-NX5C/NX5E/NX5J/NX5M/NX5N/NX5P/NX5U

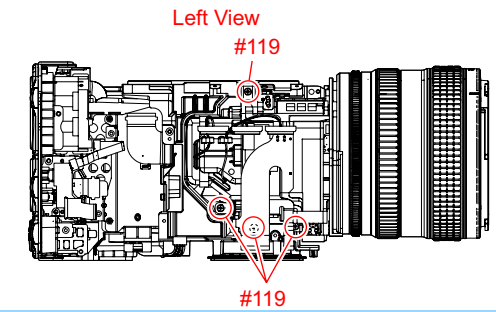
## DISASSEMBLY

1. Remove to numerical order (5 to 8) in the left figure.
2. The meaning of the sign in left figure is as follows. Be careful when it removes.

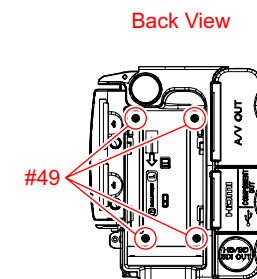
5 #119 X 4



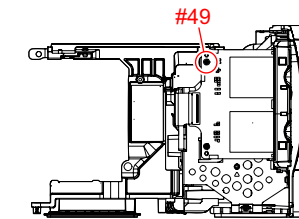
6 #119 X 4



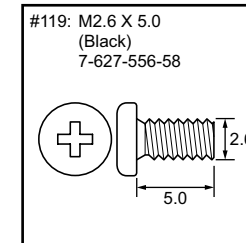
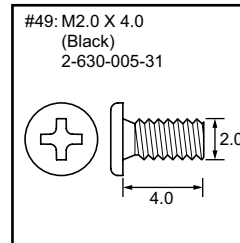
7 #49 X 5



Right View

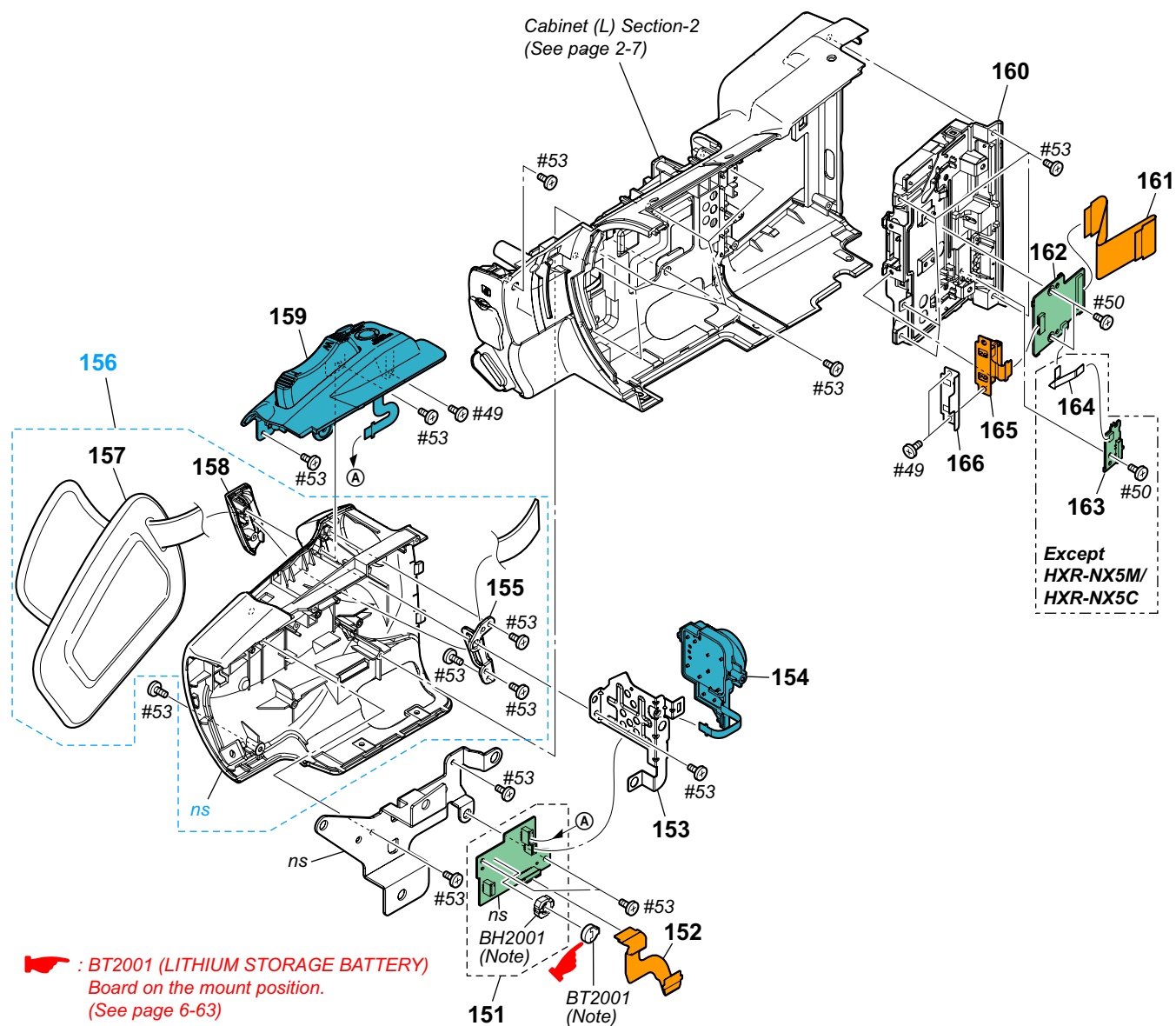


## Screw



### 2-1-4. CABINET (L) SECTION-1

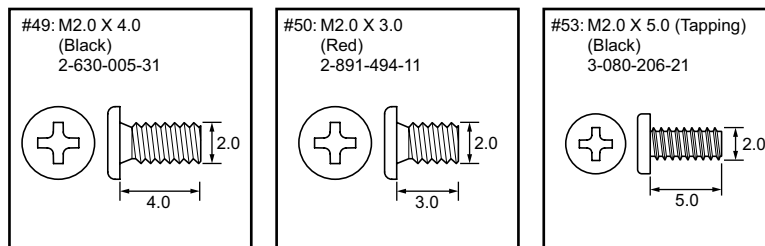
ns: not supplied



Ref. No.	Part No.	Description
151	A-1752-113-A	GC-012 BOARD, COMPLETE
152	1-879-860-11	FP-1161 FLEXIBLE BOARD
* 153	4-165-326-01	FRAME, PS
154	1-487-447-11	SWITCH BLOCK, CONTROL (PS94000)
* 155	4-165-331-01	BRACKET (REAR), GRIP BELT
156	X-2515-778-1	CABINET (G (94000)) ASSY
157	2-178-804-01	BELT, GRIP
* 158	4-165-330-01	HOLDER, GRIP BELT
159	1-487-448-11	SWITCH BLOCK, CONTROL (PZ94000)
160	X-2515-779-1	CABINET (S (94000)) ASSY (EXCEPT HXR-NX5M/HXR-NX5C)
160	X-2515-788-1	CABINET (S (94003)) ASSY (HXR-NX5M/HXR-NX5C)

Ref. No.	Part No.	Description
161	1-879-855-11	FP-1156 FLEXIBLE BOARD
162	A-1752-127-A	AS-063 BOARD, COMPLETE
163	A-1752-124-A	GS-010 BOARD, COMPLETE (EXCEPT HXR-NX5M/HXR-NX5C) (Note 2)
164	1-837-242-11	CABLE, FLEXIBLE FLAT (FFC-202) (EXCEPT HXR-NX5M/HXR-NX5C)
165	A-1752-135-A	FP-1151 FLEXIBLE BOARD, COMPLETE
* 166	4-165-336-01	RETAINER, EXT CONNECTOR (M)
△ BT2001	1-756-134-12	BATTERY, STORAGE, LITHIUM (Note 1)
△ BH2001	1-756-615-61	HOLDER, BATTERY (Note 1)
#49	2-630-005-31	SCREW (M2), NEW TRUSTER, P2
#50	2-891-494-11	SCREW (M2), NEW TRUSTER, P2
#53	3-080-206-21	SCREW, TAPPING, P2

### Screw



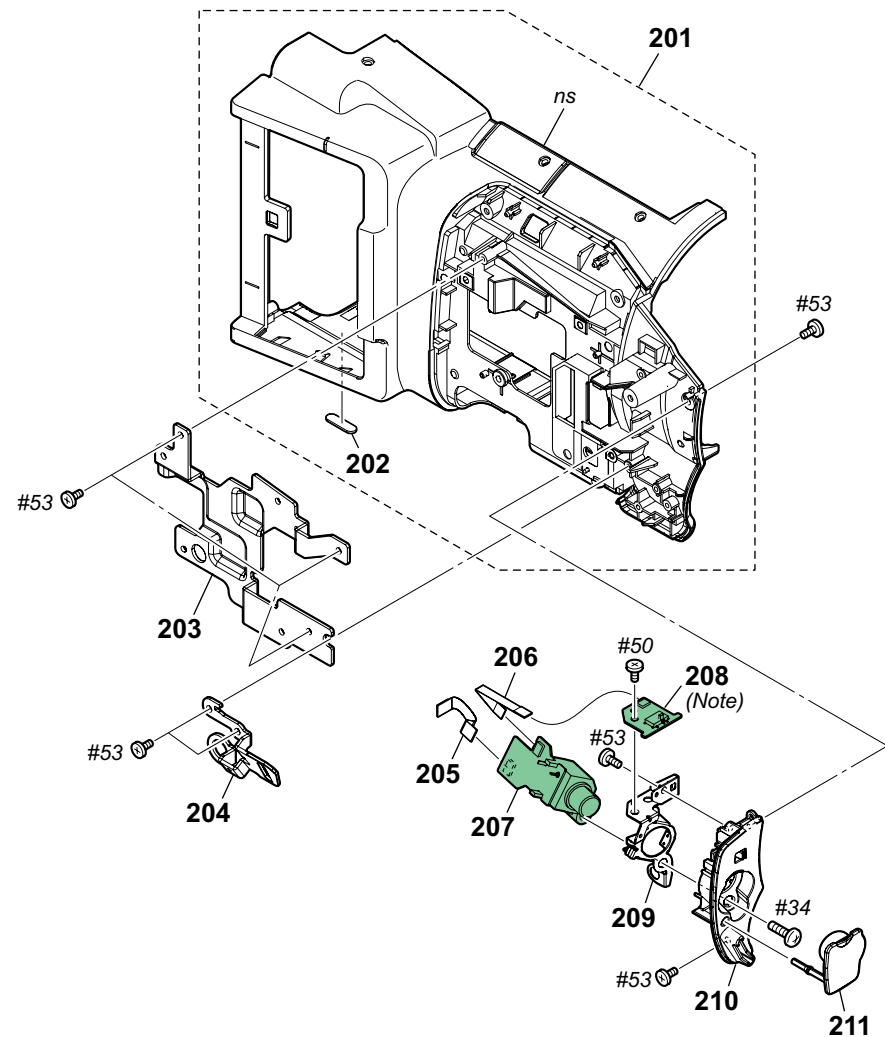
### Note

- Caution :**  
 Danger of explosion if battery is incorrectly replaced.  
 Replace only with the same or equivalent type.  
 Dispose of used batteries according to the instructions.
- Note 1:** Replace the battery holder (BH2001) together when replacing the lithium storage battery (BT2001) on the GC-012 board. (The battery holder removed once cannot be used again.)  
 When mounting these parts, mount new battery holder first and attach new lithium storage battery next.
- Note 2:** Refer to "Assembly-5: On installation of the GS-010 Board, adjust the position of the switch" when installing.

- 注意 :**  
 電池の交換は、正しく行わないと破裂する恐れがあります。  
 電池を交換する場合には必ず同じ型名の電池又は同等品と交換してください。  
 使用済み電池は、取扱指示に従って処分してください。
- Note 1:**  
 GC-012基板のリチウム蓄電池 (BT2001) を交換する場合はバッテリーホルダ (BH2001) も同時に新品に交換して下さい。  
 (一度使用したバッテリーホルダは再使用できません。)  
 部品取り付けの際は、先にバッテリーホルダを取り付けてからリチウム蓄電池を装着して下さい。
- Note 2:** 組立時は"Assembly-5: On installation of the GS-010 Board, adjust the position of the switch."を参照してください。

## 2-1-5. CABINET (L) SECTION-2

ns: not supplied

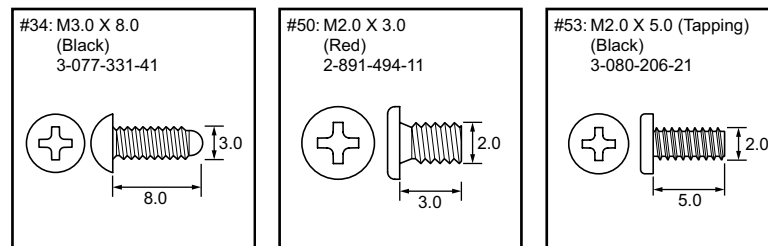


Ref. No.	Part No.	Description
201	X-2515-776-1	CABINET (L (94000)) ASSY (EXCEPT HXR-NX5M/HXR-NX5C)
201	X-2515-787-1	CABINET (L (94003)) ASSY (HXR-NX5M/HXR-NX5C)
202	2-178-805-01	FOOT, RUBBER
* 203	4-165-334-01	HEAT SINK, L
* 204	4-165-327-01	BRACKET (FRONT), GRIP BELT
205	1-837-240-11	CABLE, FLEXIBLE FLAT (FFC-194)

Ref. No.	Part No.	Description
206	1-837-242-11	CABLE, FLEXIBLE FLAT (FFC-202)
207	A-1752-121-A	TC-001 BOARD, COMPLETE
208	A-1752-126-A	TS-157 BOARD, COMPLETE (Note)
209	4-165-237-01	FRAME, TC
210	X-2515-777-1	CABINET (TC) ASSY
211	4-165-240-01	COVER, TC
#34	3-077-331-41	+BV3 (3-CR)
#50	2-891-494-11	SCREW (M2), NEW TRUSTER, P2
#53	3-080-206-21	SCREW, TAPPING, P2

HXR-NX5C/NX5E/NX5J/NX5M/NX5N/NX5P/NX5U

## Screw



## Note

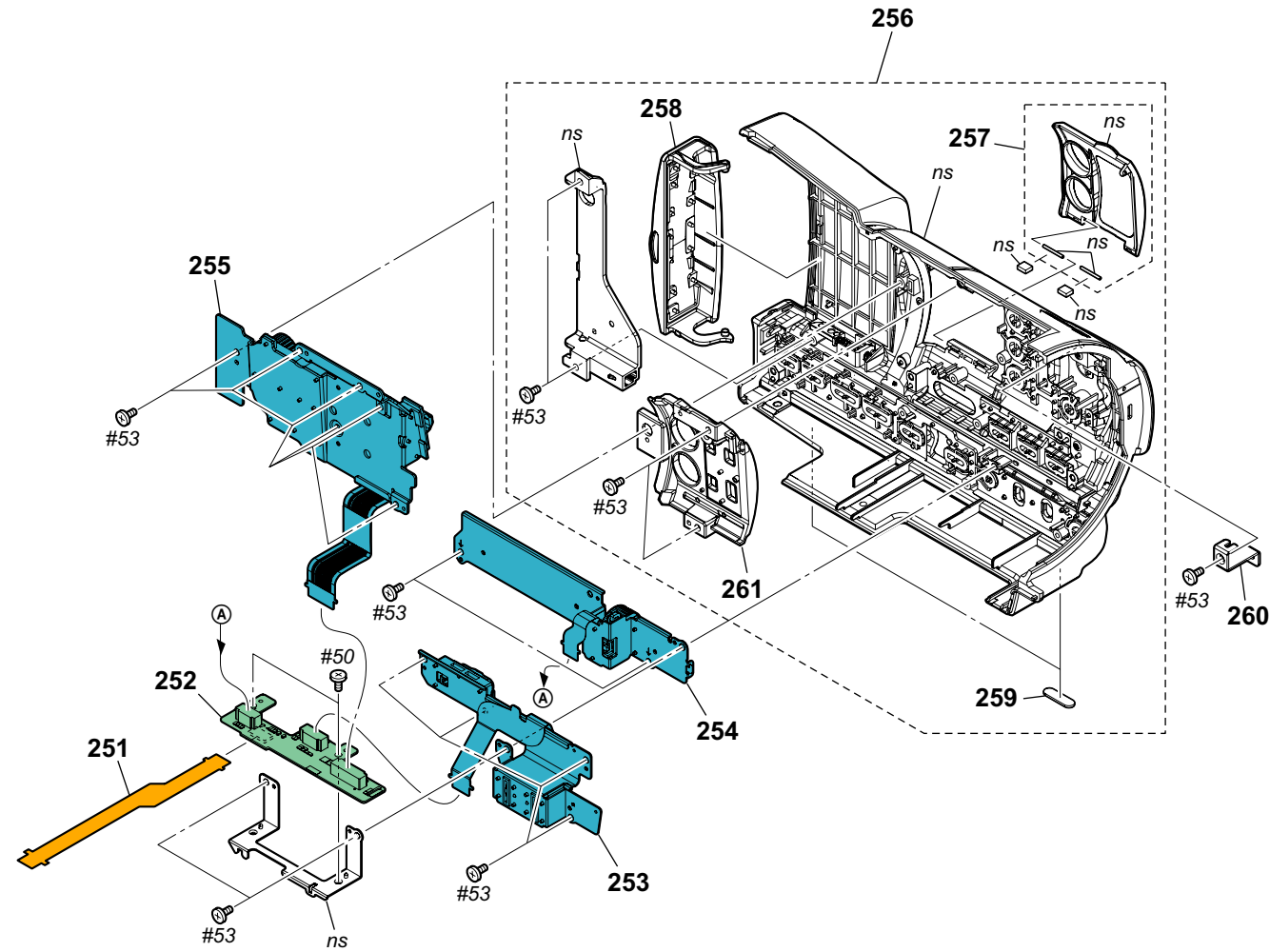
**Note :** Refer to "Assembly-6: On installation of the TS-157 Board, adjust the position of the switch" when installing.

**Note :** 組立時は"Assembly-6: On installation of the TS-157 Board, adjust the position of the switch."を参照してください。



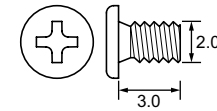
## 2-1-6. CABINET (R) SECTION

ns: not supplied

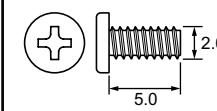


### Screw

#50: M2.0 X 3.0  
(Red)  
2-891-494-11



#53: M2.0 X 5.0 (Tapping)  
(Black)  
3-080-206-21

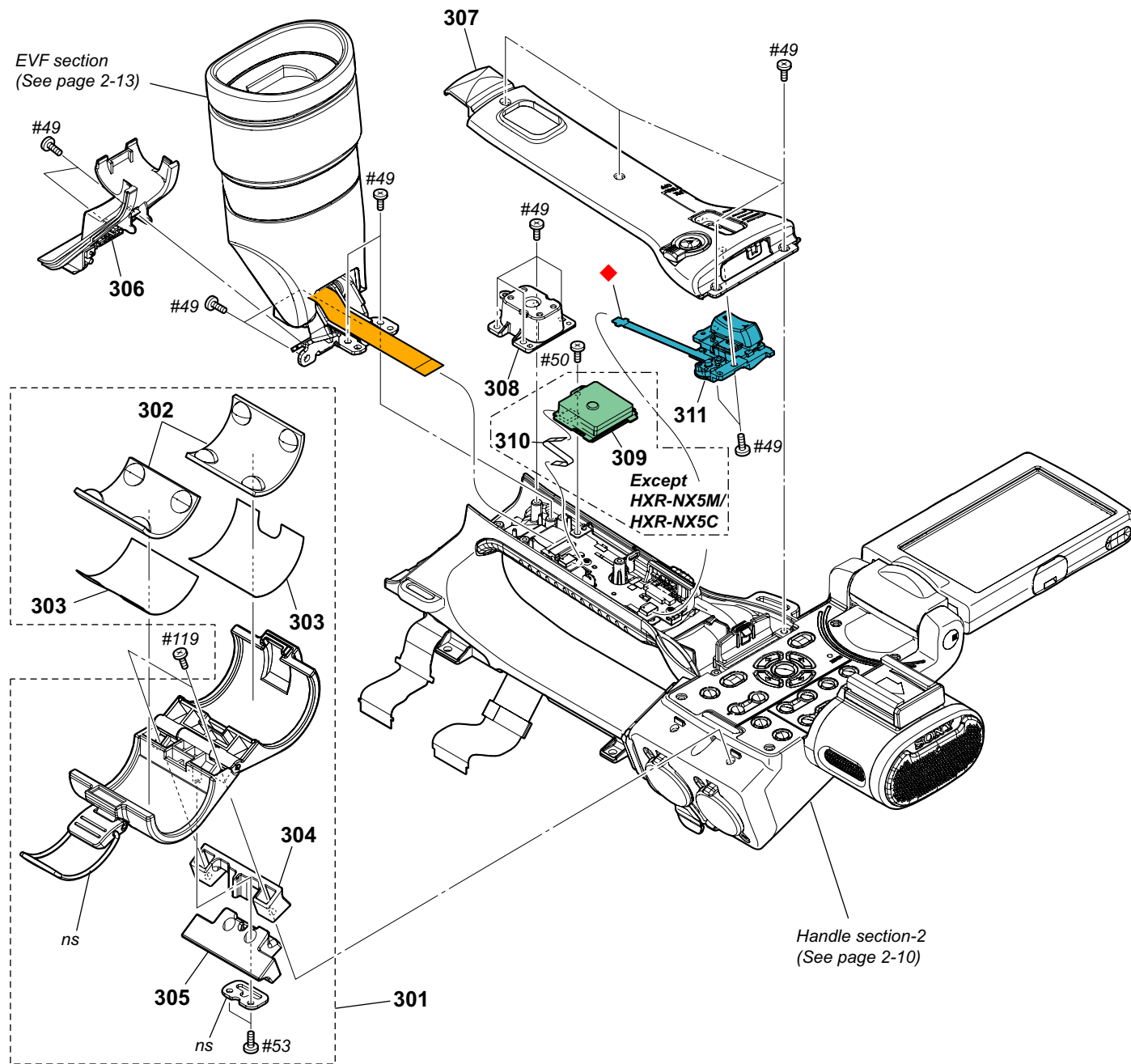


Ref. No.	Part No.	Description
251	1-879-858-11	FP-1159 FLEXIBLE BOARD
252	A-1752-112-A	CK-218 BOARD, COMPLETE
253	1-487-451-11	SWITCH BLOCK, CONTROL (CF94000)
254	1-487-449-11	SWITCH BLOCK, CONTROL (KP94000)
255	1-487-450-11	SWITCH BLOCK, CONTROL (AU94000)

Ref. No.	Part No.	Description
256	X-2515-775-1	CABINET (R (94000)) ASSY (EXCEPT HXR-NX5M/HXR-NX5C)
256	X-2515-786-1	CABINET (R (94003)) ASSY (HXR-NX5M/HXR-NX5C)
257	X-2546-696-1	LID SUB ASSY (94000), AL (SERVICE)
258	X-2546-465-1	LID SUB ASSY (94000), MS (SERVICE)
* 259	4-165-325-01	SHEET, RUBBER
* 260	4-119-383-01	PLATE, CABINET (R) FIXED
* 261	4-165-313-01	BASE, AL
#50	2-891-494-11	SCREW (M2), NEW TRUSTER, P2
#53	3-080-206-21	SCREW, TAPPING, P2

## 2-1-7. HANDLE SECTION-1

ns: not supplied



Ref. No.	Part No.	Description
301	X-2342-570-1	HOLDER (93000) ASSY, MICROPHONE
302	3-284-080-01	RUBBER, MICROPHONE
303	3-284-081-01	SHEET, RUBBER ADHESIVE
304	3-284-075-02	COVER, MICROPHONE HOLDER RUBBER
305	4-119-861-01	RUBBER (93000), HOLDER
306	X-2515-770-1	COVER (94000) ASSY, (REAR)
307	X-2515-769-1	CABINET (94000) ASSY, (UPPER)
308	3-288-538-01	SHOE, REAR (COLD)
309	A-1753-082-A	GP940 ASSY (EXCEPT HXR-NX5M/HXR-NX5C)
310	1-837-242-11	CABLE, FLEXIBLE FLAT (FFC-202) (EXCEPT HXR-NX5M/HXR-NX5C)

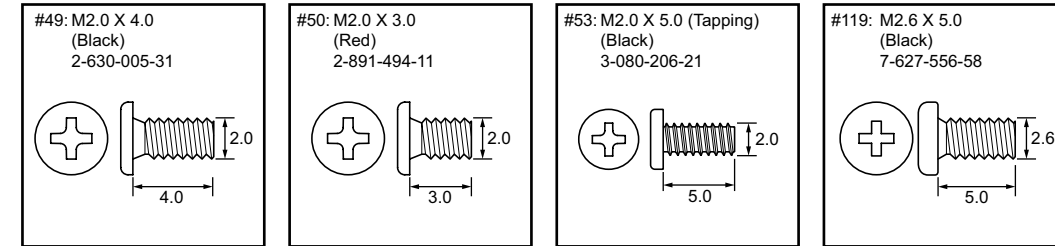
Ref. No.	Part No.	Description
311	1-480-298-11	SWITCH BLOCK, CONTROL (GZ92000)
#49	2-630-005-31	SCREW (M2), NEW TRUSTER, P2
#50	2-891-494-11	SCREW (M2), NEW TRUSTER, P2
#53	3-080-206-21	SCREW, TAPPING, P2
#119	7-627-556-58	SCREW +P 2.6X5

HXR-NX5C/NX5E/NX5J/NX5M/NX5N/NX5P/NX5U

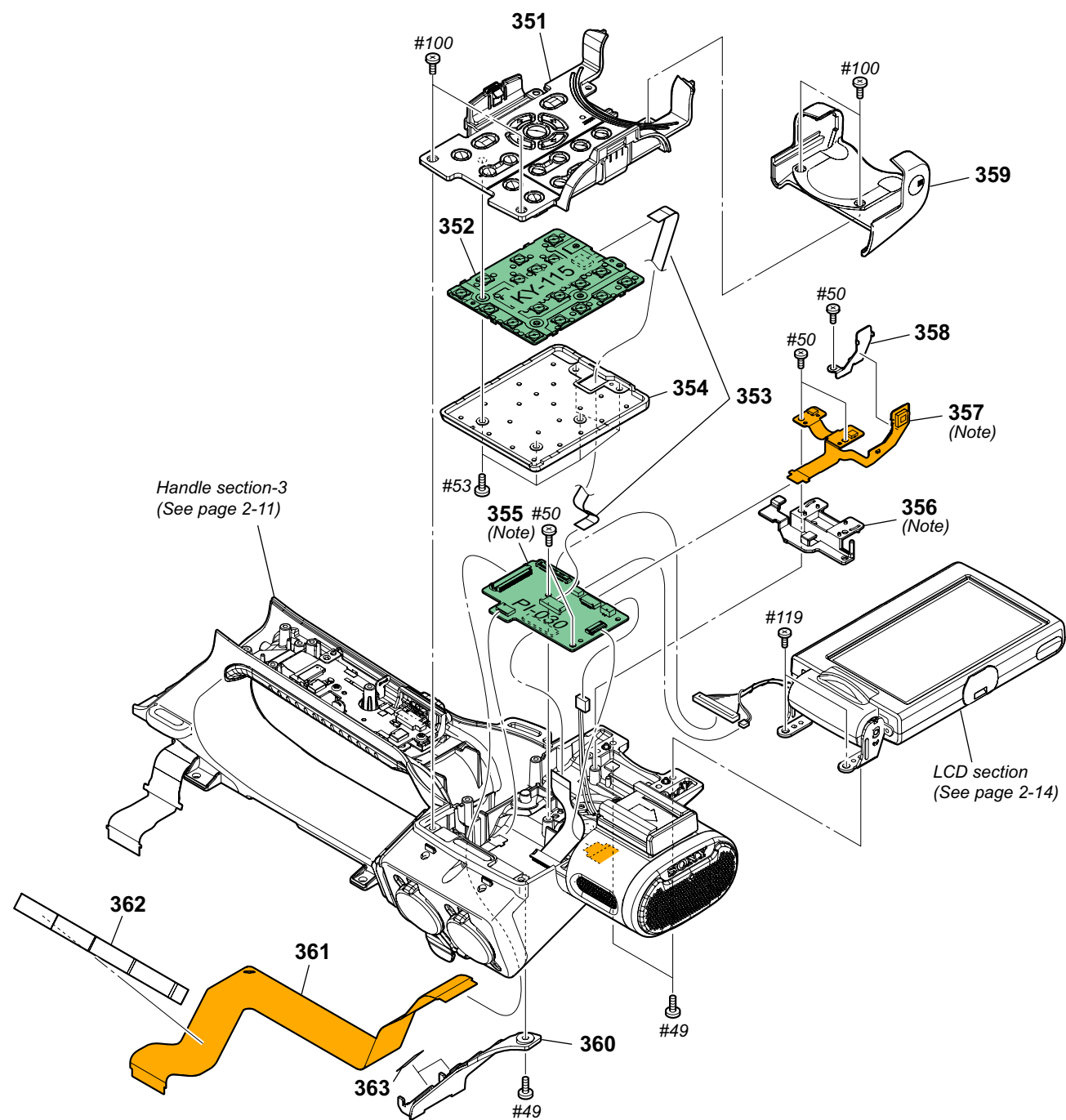
## DISASSEMBLY

- The meaning of the sign in left figure is as follows. Be careful when it removes.  
◆-X: Flexible Board, Flat Cable, Harness

### Screw



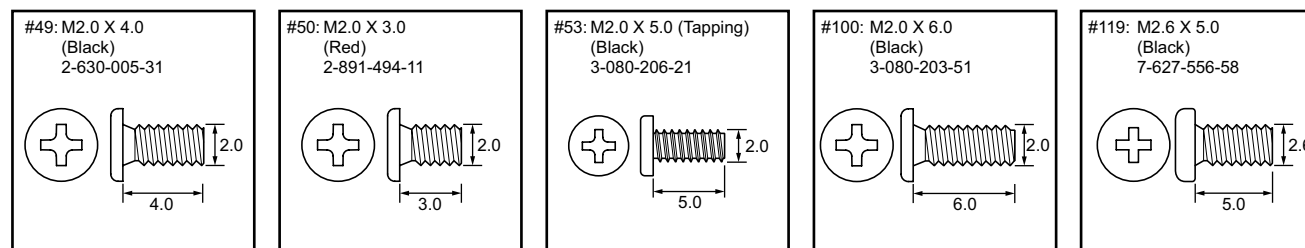
2-1-8. HANDLE SECTION-2



Ref. No.	Part No.	Description
351	X-2515-767-1	PANEL (94000) ASSY, CONTROL
352	A-1752-116-A	KY-115 BOARD, COMPLETE
353	1-837-240-11	CABLE, FLEXIBLE FLAT (FFC-194)
* 354	4-165-283-01	COVER (BB)
355	A-1752-129-A	PI-030 BOARD, COMPLETE (Note)
356	4-119-279-01	HOLDER, FLEXIBLE (Note)
357	A-1752-134-A	FP-1150 FLEXIBLE BOARD, COMPLETE (Note)
358	X-2188-609-1	FIXED (759) ASSY
359	X-2515-768-1	COVER (94000) ASSY, (FRONT)
360	4-165-281-01	CABINET, HANDLE (FRONT)

Ref. No.	Part No.	Description
361	1-879-856-12	FP-1157 FLEXIBLE BOARD
362	4-169-934-01	SHEET (FP1157), COUNTERMEASURE
* 363	4-174-174-01	CUSHION, HANDLE (FRONT) CABINET
#49	2-630-005-31	SCREW (M2), NEW TRUSTER, P2
#50	2-891-494-11	SCREW (M2), NEW TRUSTER, P2
#53	3-080-206-21	SCREW, TAPPING, P2
#100	3-080-203-51	SREW (M2), LOCK ACE, P2
#119	7-627-556-58	SCREW +P 2.6X5

Screw



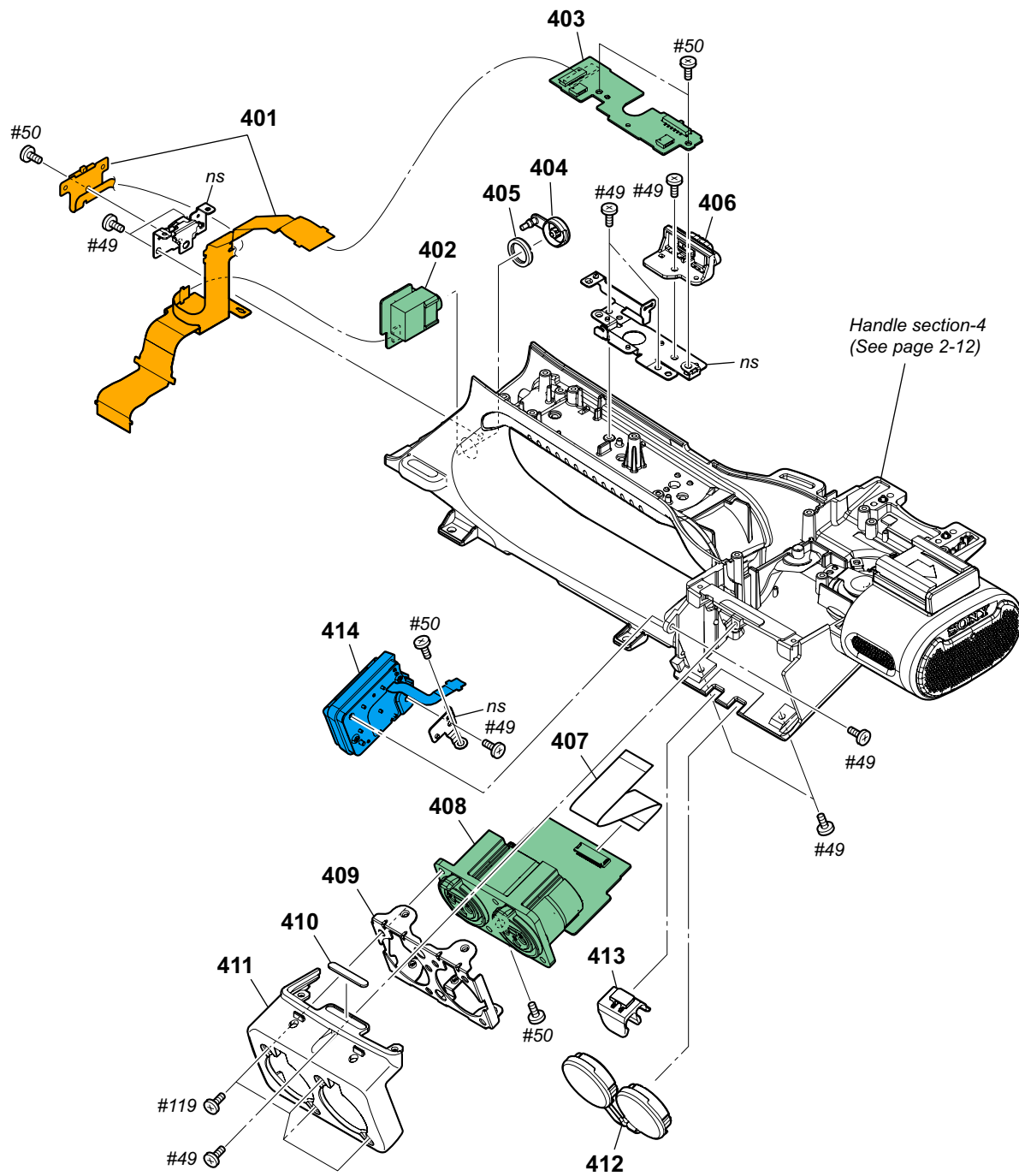
Note

Note : Refer to "Assembly-4: How to arrange Harnesses and Flexible Board" when installing.

Note : 組立時は"Assembly-4: How to arrange Harnesses and Flexible Board"を参照してください。

## 2-1-9. HANDLE SECTION-3

ns: not supplied

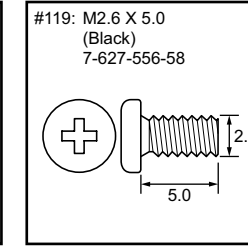
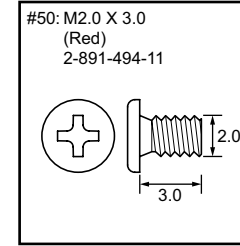
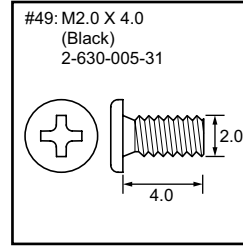


Ref. No.	Part No.	Description
401	A-1752-136-A	FP-1152 FLEXIBLE BOARD, COMPLETE
402	A-1752-114-A	HP-156 BOARD, COMPLETE
403	A-1752-123-A	HG-001 BOARD, COMPLETE
404	4-165-284-01	COVER, HP JACK
405	3-061-234-01	NUT (M6X0.5)
406	X-2188-599-1	KNOB ASSY, ZOOM SELECTION
407	1-834-244-11	FLEXIBLE FLAT CABLE (FFC-116)
408	A-1752-130-A	XL-011 BOARD, COMPLETE
* 409	4-165-279-01	BRACKET, XL
410	3-288-474-01	RUBBER, PANEL RETAINER

Ref. No.	Part No.	Description
411	4-165-282-01	COVER, XLR
412	4-165-285-01	COVER, XLR RUBBER
413	2-892-095-01	CLAMP, CABLE
414	1-480-870-11	SWITCH BLOCK, CONTROL (XS93000)
#49	2-630-005-31	SCREW (M2), NEW TRUSTER, P2
#50	2-891-494-11	SCREW (M2), NEW TRUSTER, P2
#119	7-627-556-58	SCREW +P 2.6X5

HXR-NX5C/NX5E/NX5J/NX5M/NX5N/NX5P/NX5U

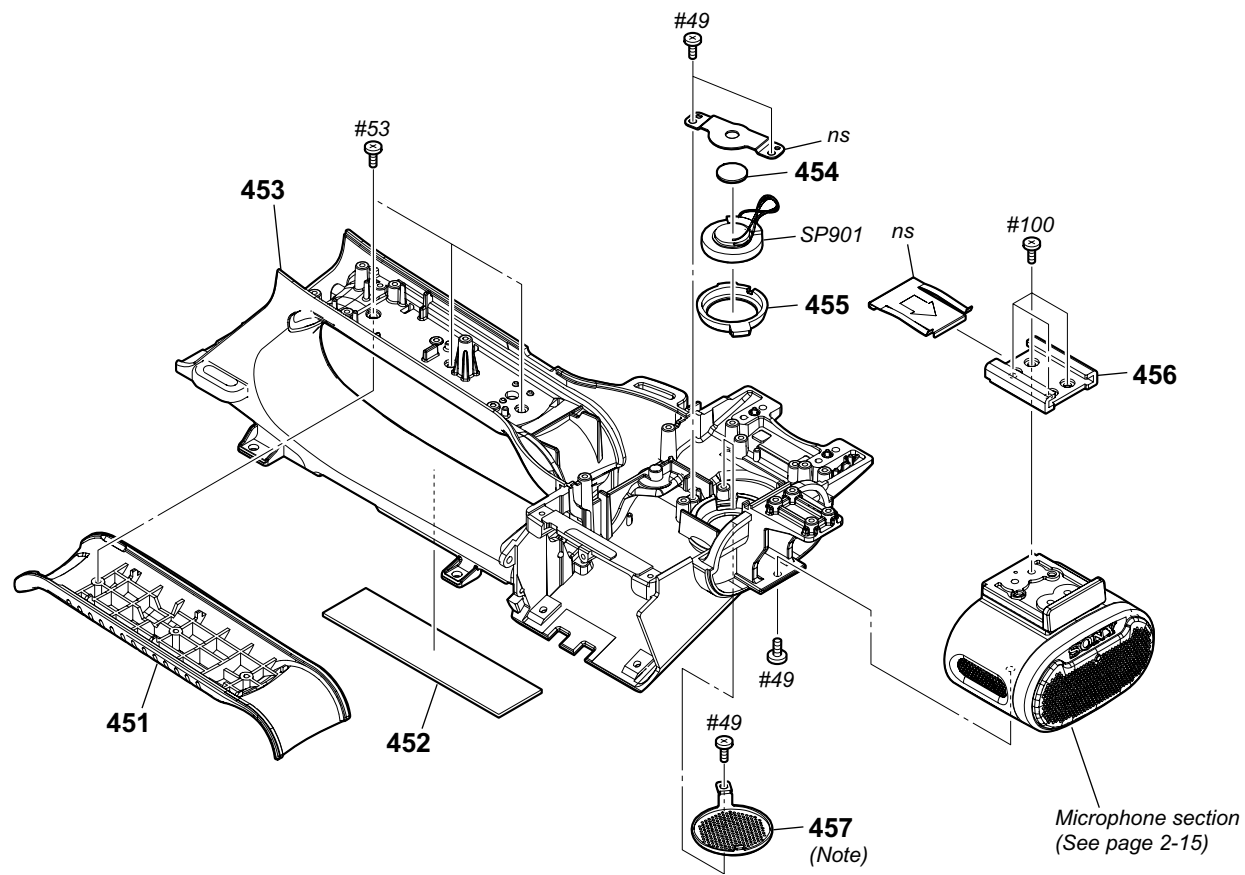
## Screw





2-1-10. HANDLE SECTION-4

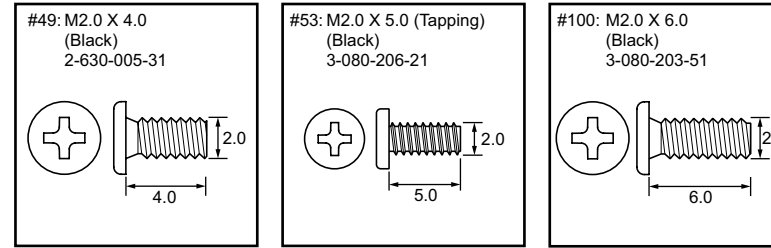
ns: not supplied



Ref. No.	Part No.	Description
451	4-165-278-01	GRIP
452	4-165-224-01	SHEET (6018T1), RADIATION
453	4-165-277-01	HANDLE
* 454	4-119-285-01	CUSHION, SPEAKER
455	2-178-550-01	HOLDER, SPEAKER

Ref. No.	Part No.	Description
456	3-069-286-03	SHOE, ACCESSORY
* 457	2-178-566-01	GRILLE, SPEAKER (Note)
SP901	1-825-968-11	LOUDSPEAKER (1.8CM)
#49	2-630-005-31	SCREW (M2), NEW TRUSTER, P2
#53	3-080-206-21	SCREW, TAPPING, P2
#100	3-080-203-51	SREW (M2), LOCK ACE, P2

Screw

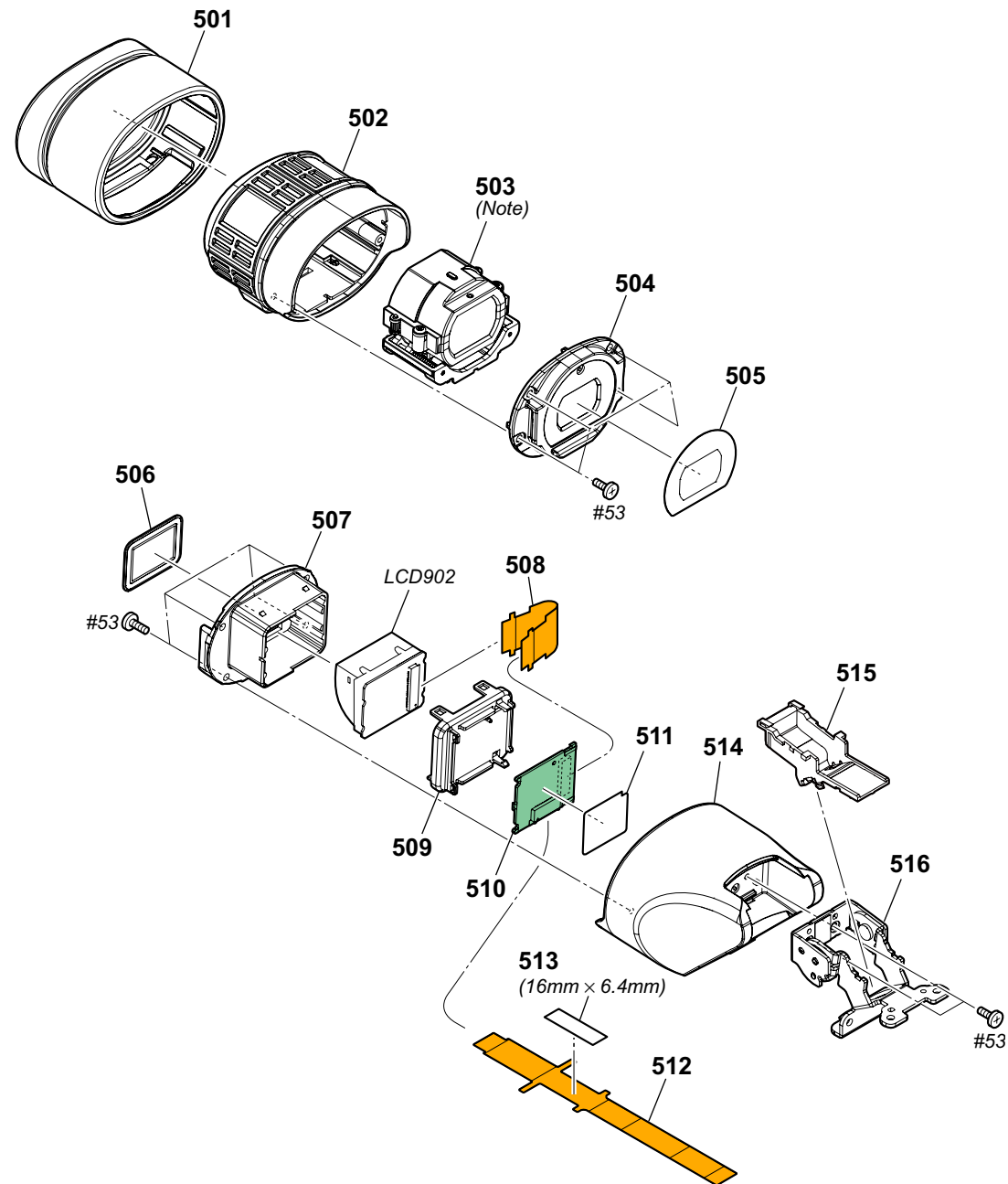


Note

Note: Refer to "Assembly-3: How to bent the Speaker Grille" when installing.

Note: 組立時は"Assembly-3: How to bent the Speaker Grille"を参照してください。

2-1-11. EVF SECTION

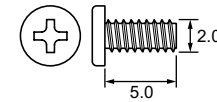


Ref. No.	Part No.	Description
501	4-119-301-01	EYE CUP (SMALL)
502	X-2320-885-1	EYE CUP (93000) ASSY
503	X-2320-861-1	LENS ASSY, VF (Note)
504	4-119-302-01	LID, EYE CUP CABINET
505	4-119-303-01	COVER, EYE CUP CABINET LID
506	3-288-591-01	SHEET, VF PROTECTION
507	3-288-585-01	CASE, PANEL
508	1-873-733-11	FP-776 FLEXIBLE BOARD
509	3-288-586-01	LID, PANEL
510	A-1752-131-A	VF-179 BOARD, COMPLETE

Ref. No.	Part No.	Description
* 511	3-299-948-01	SHEET (UU)
512	1-879-859-11	FP-1160 FLEXIBLE BOARD
513	CAUTION	TAPE, VF
514	X-2515-771-1	CABINET (94000) ASSY, VF
* 515	4-165-332-01	RETAINER, VF FLEXIBLE
516	X-2515-764-1	TILT ASSY, VF
LCD902	1-802-560-31	LCD MODULE
#53	3-080-206-21	SCREW, TAPPING, P2

Screw

#53: M2.0 X 5.0 (Tapping)  
 (Black)  
 3-080-206-21



Note

**Caution :**  
 For the part of 513, cut NON WOVEN (T0.25) (3-076-631-01) into the desired length and use it.

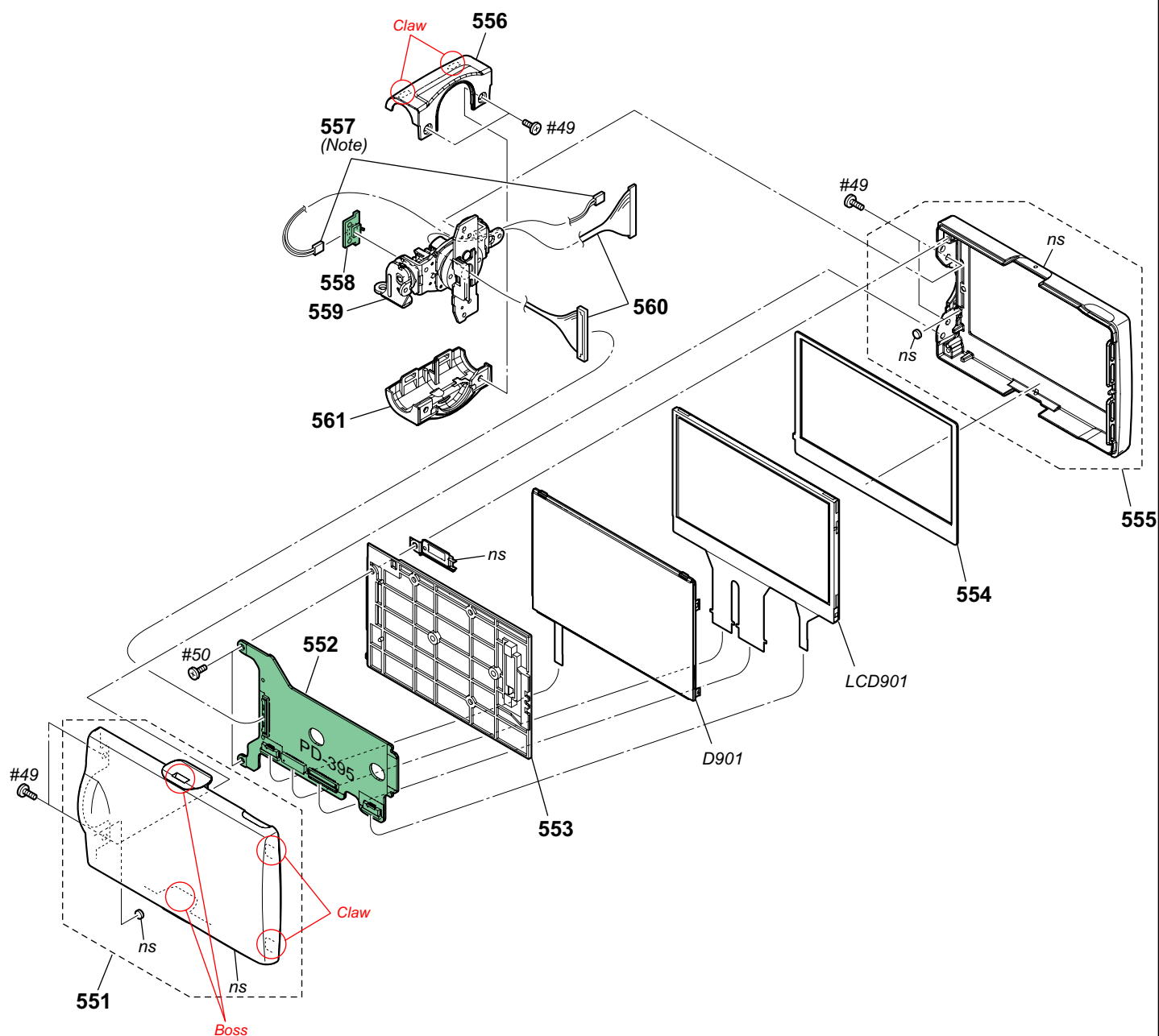
**Note:** Refer to "Assembly-1: Confirm the Diopter Adjustment Lever is on the left side when installing the VF Lens Assy" when installing.

**Caution:**  
 513番は、ヒメロン T0.25 (3-076-631-01)を切って使用。

**Note:** 組立時は"Assembly-1: Confirm the Diopter Adjustment Lever is on the left side when installing the VF Lens Assy"を参照してください。

## 2-1-12. LCD SECTION

ns: not supplied



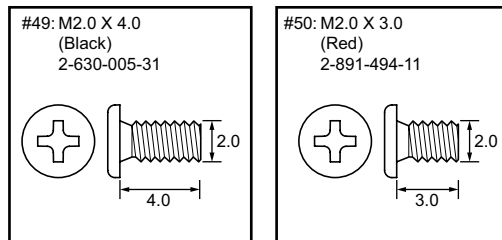
Ref. No.	Part No.	Description
551	X-2515-773-1	CABINET (UPPER (94000)) ASSY
552	A-1752-128-A	PD-395 BOARD, COMPLETE
* 553	4-165-311-01	FRAME, BL
554	3-288-565-11	CUSHION, PANEL
555	X-2515-774-1	LOWER (94000) ASSY, CABINET
556	3-288-566-01	CABINET (T), PANEL HINGE
557	1-963-030-21	HARNESS (SW-116) (Note)
558	A-1752-122-A	HT-003 BOARD, COMPLETE
559	X-2342-571-1	HINGE (TYPE 07KAI) ASSY, PANEL
560	1-965-937-21	HARNESS (COAXIAL CABLE)

Ref. No.	Part No.	Description
561	3-288-567-01	CABINET (B), PANEL HINGE
D901	1-480-358-11	BLOCK, LIGHT GUIDE PLATE (3.2)
LCD901	A-1734-177-A	TP BLOCK ASSY (32ESHGU09)
#49	2-630-005-31	SCREW (M2), NEW TRUSTER, P2
#50	2-891-494-11	SCREW (M2), NEW TRUSTER, P2

## DISASSEMBLY

- points in left figure shows claws. Be careful when it removes.

## Screw

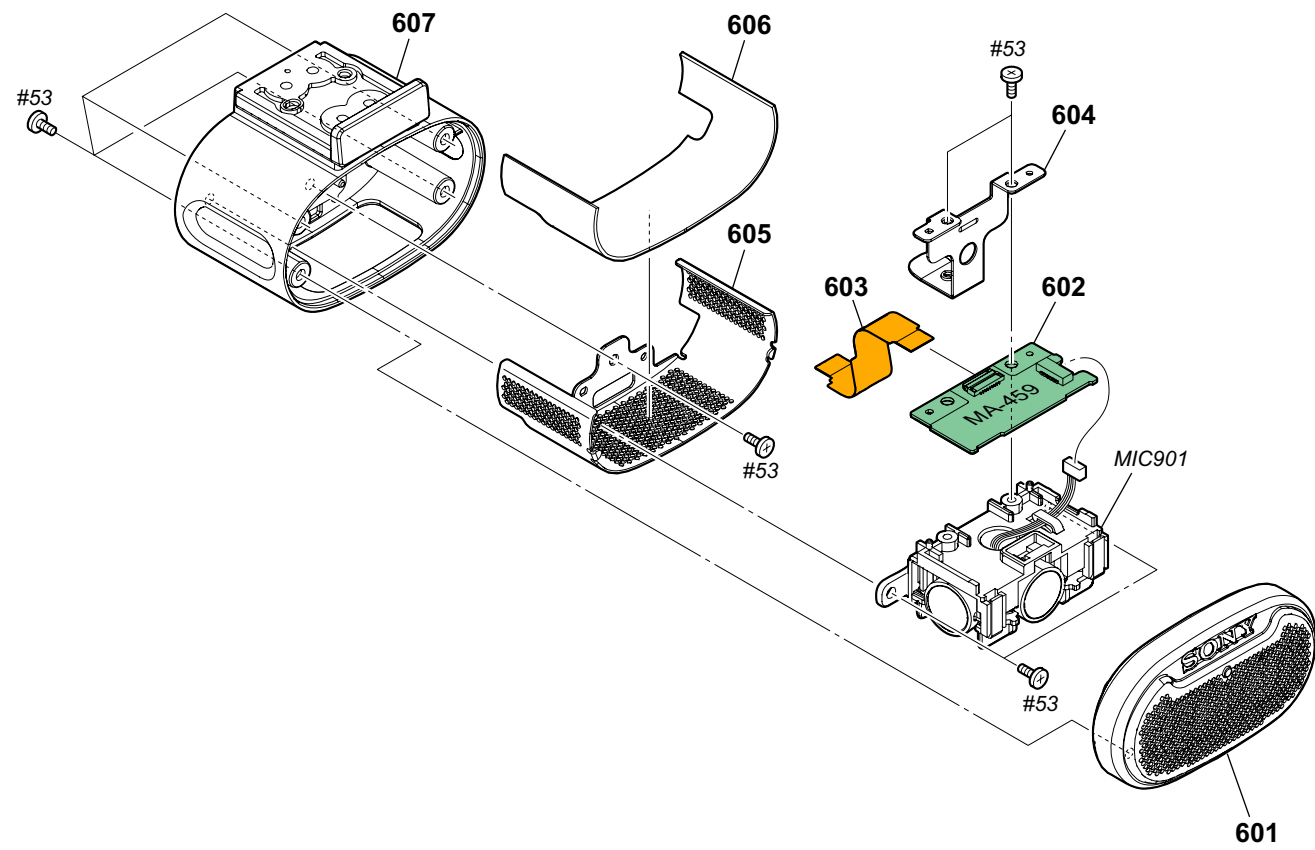


## Note

**Note:** Refer to "Assembly-2: How to arrange Harnesses (SW-116)" when installing.

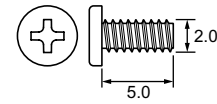
**Note:** 組立時は"Assembly-2: How to arrange Harnesses (SW-116)"を参照してください。

2-1-13. MICROPHONE SECTION



Screw

#53: M2.0 X 5.0 (Tapping)  
(Black)  
3-080-206-21

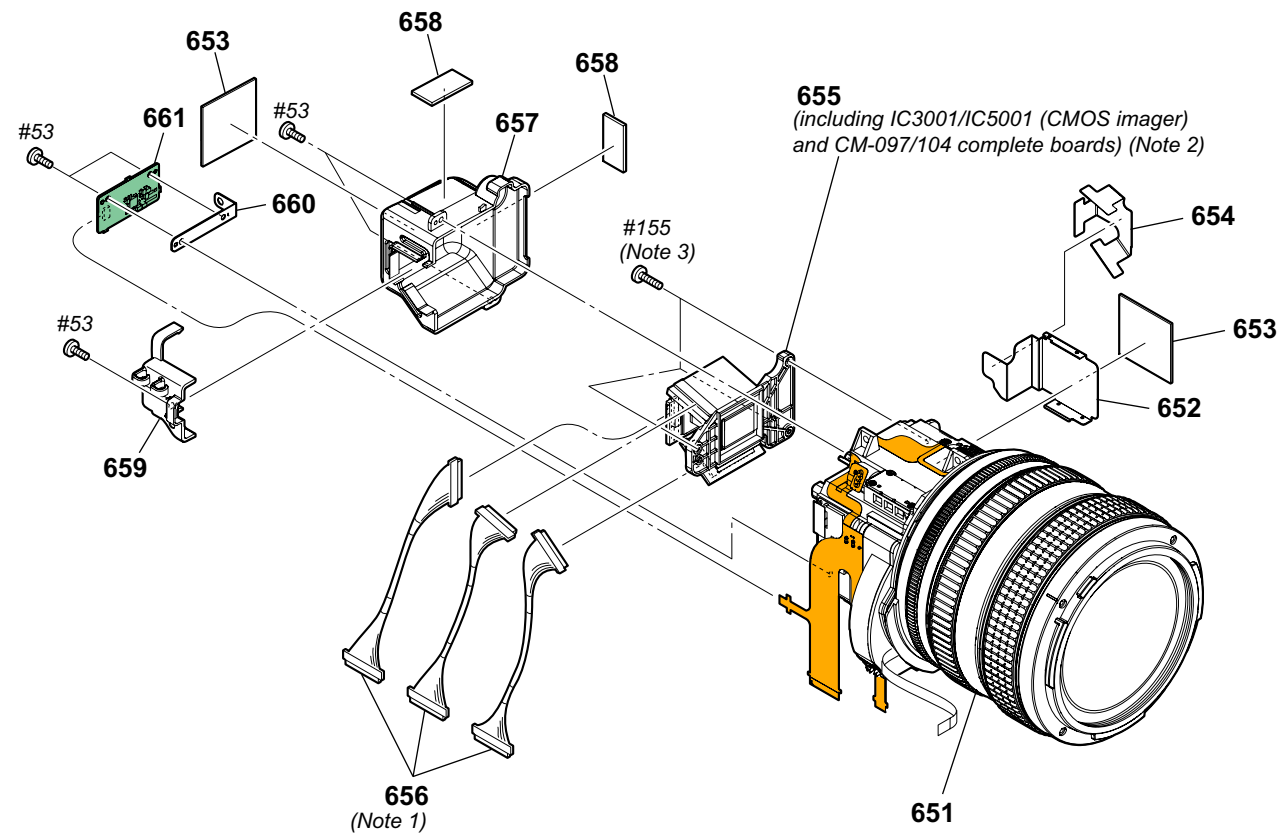


Ref. No.	Part No.	Description
601	X-2515-772-1	GRILLE (94000) ASSY, MICROPHONE
602	A-1752-117-A	MA-459 BOARD, COMPLETE
603	1-879-857-11	FP-1158 FLEXIBLE BOARD
* 604	4-165-302-01	SHEET METAL, MICROPHONE
605	4-165-303-01	GRILLE (REAR), MICROPHONE

Ref. No.	Part No.	Description
606	4-165-304-01	SCREEN (REAR), WINDOW
607	4-165-301-01	CABINET (REAR), MICROPHONE
MIC901	1-542-808-11	MICROPHONE
#53	3-080-206-21	SCREW, TAPPING, P2



## 2-1-14. LENS SECTION



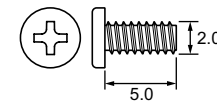
Ref. No.	Part No.	Description
651	1-788-775-31	LENS, VIDEO CF0022
* 652	4-119-361-01	HEAT SINK, LENS
653	4-119-362-01	SHEET (2828), LENS RADIATION
* 654	4-119-360-01	SHEET, CM RADIATION
655	A-1566-526-A	DEVICE (SERVICE), PRISM (including IC3001/IC5001 (CMOS imager) and CM-097/104 complete boards) (Note 2)

Ref. No.	Part No.	Description
656	1-966-281-11	HARNESS (COAXIAL CABLE) (Note 1)
* 657	4-119-357-01	COVER (A), LIGHT INTERCEPTION
658	4-119-356-01	SHEET (1122), LENS RADIATION
* 659	4-119-358-01	COVER (B), LIGHT INTERCEPTION
* 660	4-119-359-01	PLATE, GY GROUND
661	A-1759-066-A	GY-022 BOARD, COMPLETE (SERVICE)
#53	3-080-206-21	SCREW, TAPPING, P2
#155	3-080-204-31	SCREW, TAPPING, P2 (Note 3)

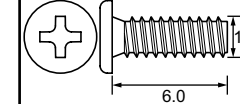
HXR-NX5C/NX5E/NX5J/NX5M/NX5N/NX5P/NX5U

## Screw

#53: M2.0 X 5.0 (Tapping)  
(Black)  
3-080-206-21



#155: M1.7 X 6.0 (Tapping)  
(Black)  
3-080-204-31



## Note

**Note1:** Refer to page 2-2 "Note for disconnecting the harness (coaxial cable)" when changing the harness (coaxial cable).

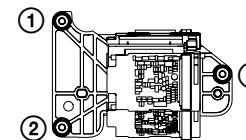
**Note1:** ハーネス(同軸ケーブル)の交換時は2-2ページの"Note for disconnecting the harness (coaxial cable)"を参照してください。

**Note2:** Be sure to read "Precautions for Replacement of Imager" on page 6-1 when changing the imager.

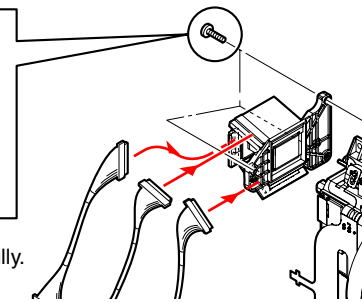
**Note2:** イメージャの交換時は6-1ページの"イメージャ交換時の注意"を必ずお読みください。

## Note 3: Prism Device cautions

Tighten screws in the following order.

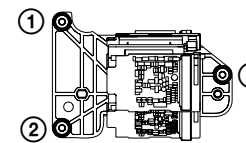


Be sure not to insert the harnesses forcefully.  
(Standard: Insertion; 15N, Pull out; 10N)

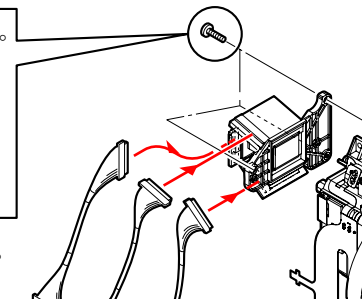


## Note 3: プリズムデバイス取り外し組立時の注意

下記の順番でねじを締め付けてください。

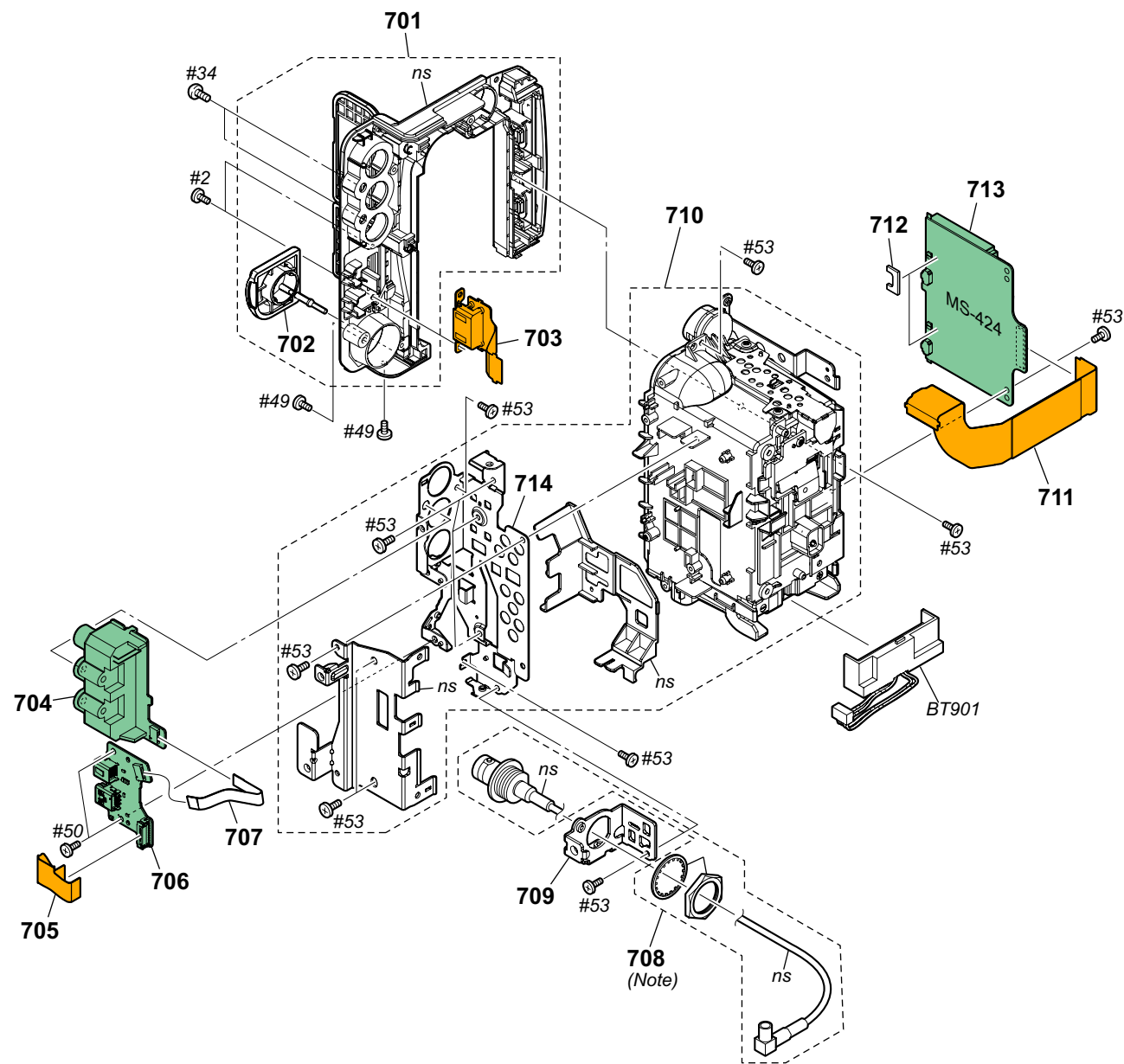


ハーネスを強く差し込まないでください。  
(差し込み時: 15N, 引き抜き時: 10N)



## 2-1-15. BT PANEL SECTION

ns: not supplied



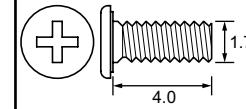
Ref. No.	Part No.	Description
701	X-2515-765-1	PANEL (94000) ASSY, BT
702	4-165-234-01	COVER, SDI JACK
703	A-1752-133-A	FP-1149 FLEXIBLE BOARD, COMPLETE
704	A-1752-099-A	CP-004 BOARD, COMPLETE
705	1-879-883-11	FP-1162 FLEXIBLE BOARD
706	A-1752-115-A	JK-392 BOARD, COMPLETE
707	1-837-240-11	CABLE, FLEXIBLE FLAT (FFC-194)
708	1-836-909-11	CABLE ASSY, COAXIAL (Note)
* 709	4-165-233-01	HOLDER, SDI
710	X-2515-780-1	HOLDER ASSY, BT

Ref. No.	Part No.	Description
711	1-879-854-11	FP-1155 FLEXIBLE BOARD
712	4-165-226-01	SHEET, MS LIGHT INTERCEPTION
713	A-1752-120-A	MS-424 BOARD, COMPLETE
714	4-165-269-01	HOLDER, JACK
△ BT901	1-694-411-12	TERMINAL BOARD, BATTERY
#2	2-635-562-31	SCREW (M1.7)
#34	3-077-331-41	+BV3 (3-CR)
#49	2-630-005-31	SCREW (M2), NEW TRUSTER, P2
#50	2-891-494-11	SCREW (M2), NEW TRUSTER, P2
#53	3-080-206-21	SCREW, TAPPING, P2

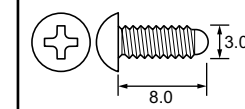
HXR-NX5C/NX5E/NX5J/NX5M/NX5N/NX5P/NX5U

## Screw

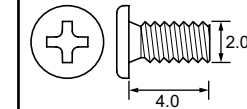
#2: M1.7 X 4.0  
(Black)  
2-635-562-31



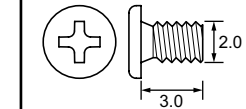
#34: M3.0 X 8.0  
(Black)  
3-077-331-41



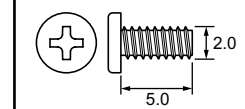
#49: M2.0 X 4.0  
(Black)  
2-630-005-31



#50: M2.0 X 3.0  
(Red)  
2-891-494-11



#53: M2.0 X 5.0 (Tapping)  
(Black)  
3-080-206-21



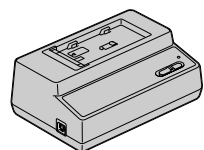
## Note

**Note:** Connect and Disconnect the SDI Cable vertically.  
Do not load to widthwise.

**Note:** SDI同軸ケーブルは垂直に抜き差ししてください。  
横方向に力を加えないようにしてください。

• EXCEPT J MODEL  
 Checking supplied accessories.

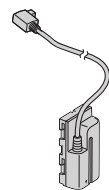
Note : This item is supplied with the unit as an accessory, but is not prepared as a service part.



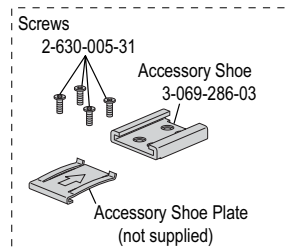
AC Adaptor/Charger (AC-VL1)  
 △ 1-487-539-11



Power cord (mains lead)  
 △ 1-834-484-31 (NX5U)  
 △ 1-832-121-31 (NX5C)  
 △ 1-834-482-21 (NX5N/NX5E/NX5M/NX5P)



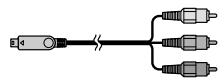
Connecting Cord (DK-415)  
 1-782-361-15 (EXCEPT NX5U)  
 1-782-361-21 (NX5U)



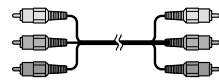
Screws  
 2-630-005-31  
 Accessory Shoe  
 3-069-286-03  
 Accessory Shoe Plate (not supplied)  
 Accessory Shoe Kit  
 X-2188-877-2



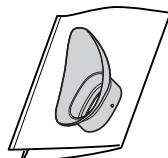
Wireless Remote Commander (RMT-845)  
 1-487-540-11



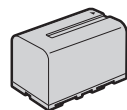
Component video cable  
 1-829-414-61



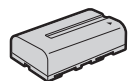
A/V connecting cable  
 1-828-145-21



Large eyecup  
 X-2342-702-1



Rechargeable battery pack (NP-F770) (NX5U) (Note)



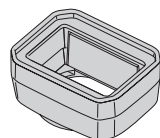
Rechargeable battery pack (NP-F570) (EXCEPT NX5U) (Note)



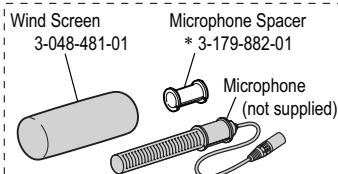
Conversion (2P) Adaptor  
 △ 1-569-008-12 (NX5N)



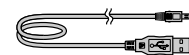
Operating Guide  
 4-157-877-11 (ENGLISH) (NX5U/NX5N)  
 4-157-878-11 (ENGLISH) (NX5E/NX5P/NX5M)  
 4-157-878-21 (SIMPLIFIED CHINESE) (NX5C)



Lens hood with lens cover (CF002)  
 X-2320-850-1



Wind Screen, Microphone (ECM-XM1)  
 1-542-749-11



USB cable  
 1-829-868-31



CD-ROM "Content Management Utility"  
 4-174-940-01



CD-ROM "Manuals for Digital HD Video Camera Recorder"  
 4-162-320-01



Operating Guide (PDF)

The CD-ROM supplied contains all of language version of the Operating Instructions(PDF) for printing.

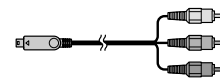
- The printed matter is not supplied. If required, please order it with the part number below.

- |                         |                                   |
|-------------------------|-----------------------------------|
| 4-157-877-01 (JAPANESE) | 4-157-878-11 (ENGLISH)            |
| 4-157-877-11 (ENGLISH)  | 4-157-878-21 (SIMPLIFIED CHINESE) |
| * 4-157-877-21 (FRENCH) | * 4-157-878-31 (FRENCH)           |
|                         | * 4-157-878-41 (SPANISH)          |
|                         | * 4-157-878-51 (ITALIAN)          |
|                         | * 4-157-878-61 (GERMAN)           |

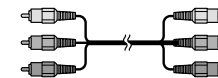
• J MODEL



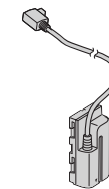
ワイヤレスリモコン (RMT-845)  
 1-487-540-11



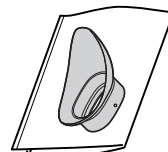
コンポーネントビデオケーブル  
 1-829-414-61



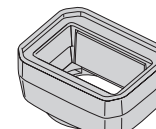
AV接続ケーブル  
 1-828-145-21



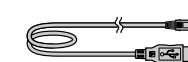
接続コード (DK-415)  
 1-782-361-15



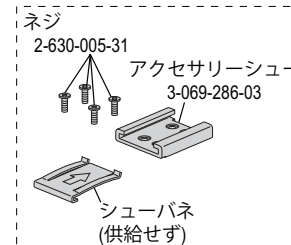
大型アイカップ  
 X-2342-702-1



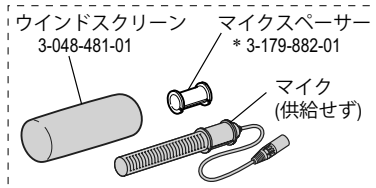
レンズカバー付きフード (CF002)  
 X-2320-850-1



USBケーブル  
 1-829-868-31



ネジ  
 2-630-005-31  
 アクセサリーシュー  
 3-069-286-03  
 シューパネ (供給せず)  
 アクセサリーシューキット  
 X-2188-877-2



ウインドスクリーン、マイク (ECM-XM1)  
 1-542-749-11



取扱説明書  
 4-157-877-01 (日本語)



CD-ROM "Content Management Utility"  
 4-174-940-01



CD-ROM "Manuals for Digital HD Video Camera Recorder"  
 4-162-320-01



取扱説明書 (PDF)

取扱説明書(PDF)は全ての言語が付属品のCD-ROMに含まれています。CD-ROM内の取扱説明書(PDF)につきましては印刷しての供給は対応しておりません。

**Viditec**

Humberto 1° 2889 - C1231ACE - Bs As, Argentina  
 Tel: +54 11 4122-1200 Fax: +54 11 4308-5493  
 ingenieria@viditec.com.ar  
 viditec.com