

HXR-NX70C/NX70E/NX70J/NX70N/NX70P/NX70U

SERVICE MANUAL

Ver. 1.3 2012.07

Revised-3

Replace the previously issued SERVICE MANUAL 9-834-587-13 with this Manual.



Photo: HXR-NX70U

US Model
Canadian Model
AEP Model
E Model
Chinese Model
Japanese Model

SERVICE NOTE (Check the following note before the service.)

– ENGLISH –

- 1-1. POWER SUPPLY DURING REPAIRS
- 1-2. PRECAUTION ON REPLACING THE VC-633 BOARD
- 1-3. ADDITION OF DESTINATION DATA FILE
- 1-4. PRECAUTION ON REPLACING THE GY-027 BOARD
- 1-5. SELF-DIAGNOSIS FUNCTION
- 1-6. METHOD OF COPING WITH SHIFT LENS ERROR
- 1-7. GPS RECEIVING CHECK (NX70E/NX70J/NX70N/NX70P/NX70U)
- 1-8. Dust & Rain Proof Performance

– JAPANESE –

- 1-1. 修理時の電源供給について
- 1-2. VC-633基板交換時の注意
- 1-3. Destination Data ファイルの追加について
- 1-4. GY-027基板交換時の注意
- 1-5. 自己診断機能
- 1-6. シフトレンズエラーの対処方法
- 1-7. GPS 受信確認 (NX70E/NX70J/NX70N/NX70P/NX70U)
- 1-8. 防塵防滴性能について

Digital HD Video Camera Recorder

SONY®

The components identified by mark Δ or dotted line with mark Δ are critical for safety. Replace only with part number specified.

Les composants identifiés par une marque Δ sont critiques pour la sécurité. Ne les remplacer que par une pièce portant le numéro spécifié.

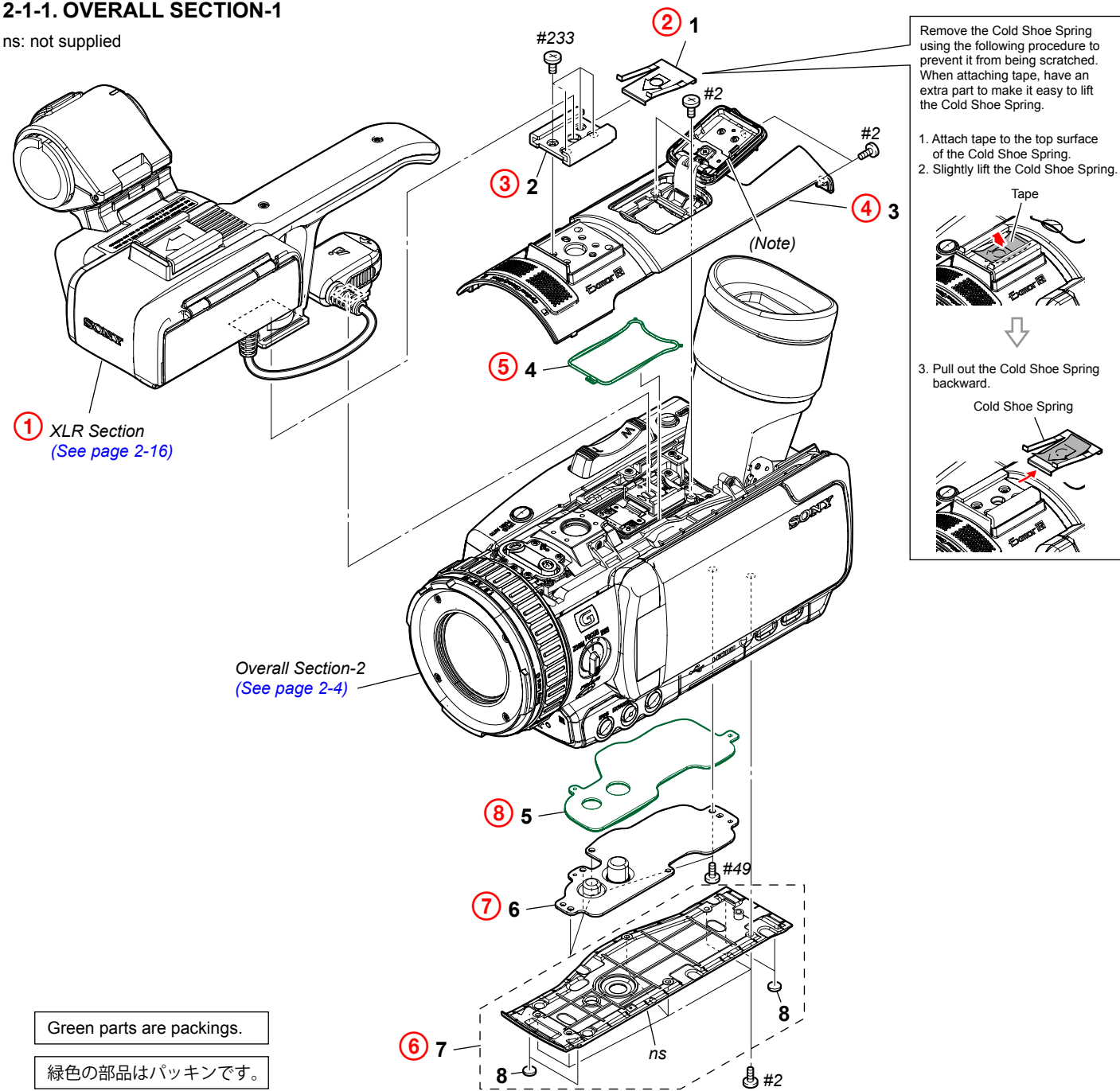
Revision History

Ver.	Date	History	Contents	S.M. Rev. issued
1.0	2011.05	Official Release	—	—
1.1	2011.06	Revised-1 (A1 11-124)	<ul style="list-style-type: none"> • Correction of EXPLODED VIEWS. • Revision of EXPLODED ACCESSORIES. Page 2-16, 2-17 	Yes
1.2	2011.11	Revised-2 (A2 11-281)	<ul style="list-style-type: none"> • Change of ACCESSORIES. Page 2-17 	Yes
1.3	2012.07	Revised-3 (A3 12-137)	<ul style="list-style-type: none"> • Addition of SERVICE NOTE. Page 1-1, 1-2, 1-3, 1-4, 1-5, 1-6, 1-7, 1-8, 1-9, 1-10, 1-11, 1-12, 1-13, 1-14 	Yes

2-1. EXPLODED VIEWS

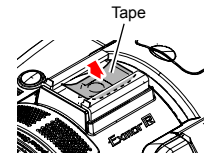
2-1-1. OVERALL SECTION-1

ns: not supplied

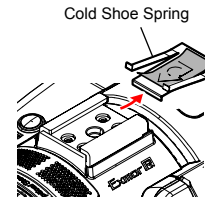


Remove the Cold Shoe Spring using the following procedure to prevent it from being scratched. When attaching tape, have an extra part to make it easy to lift the Cold Shoe Spring.

1. Attach tape to the top surface of the Cold Shoe Spring.
2. Slightly lift the Cold Shoe Spring.



3. Pull out the Cold Shoe Spring backward.



Overall Section-2
(See page 2-4)

Green parts are packings.

緑色の部品はパッキンです。

Ref. No.	Part No.	Description
1	4-282-388-01	SPRING, COLD SHOE
2	4-282-387-01	SHOE, COLD
3	X-2581-415-1	CABINET (T(91000)) ASSY (NX70E/NX70J/NX70N/NX70P/NX70U)
3	X-2581-418-1	CABINET (T(91051)) ASSY (NX70C)
4	4-282-255-01	PACKING, SHOE

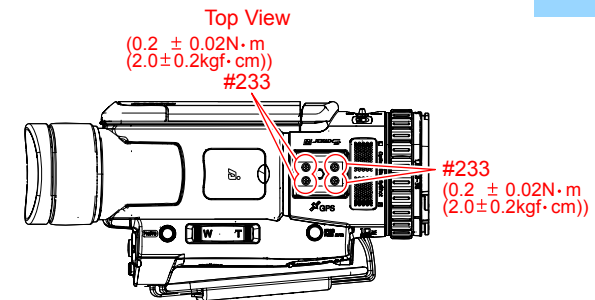
Ref. No.	Part No.	Description
5	4-283-271-01	PACKING, CABINET BOTTOM
6	4-282-382-01	PLATE, TRIPOD
7	X-2581-414-1	BOTTOM ASSY, CABINET
8	2-589-376-01	FOOT (395), RUBBER
#2	2-635-562-31	SCREW (M1.7)
#49	2-630-005-31	SCREW (M2), NEW TRUSTER, P2
#233	2-342-356-11	SCREW (M2) (ECO, EG)

HXR-NX70C/NX70E/NX70J/NX70N/NX70P/NX70U

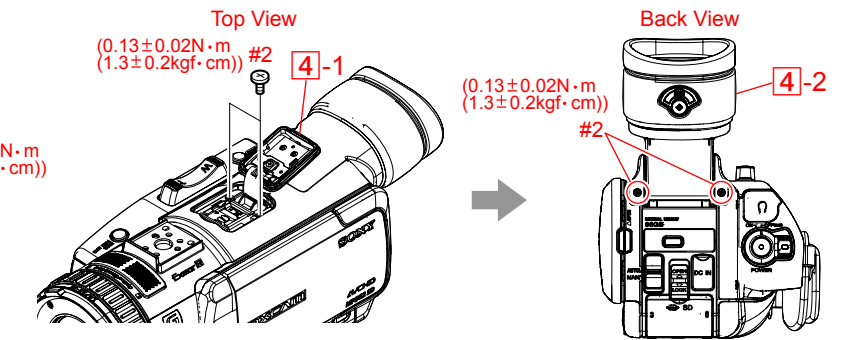
DISASSEMBLY

1. Remove to numerical order (1) to (8) in the left figure.

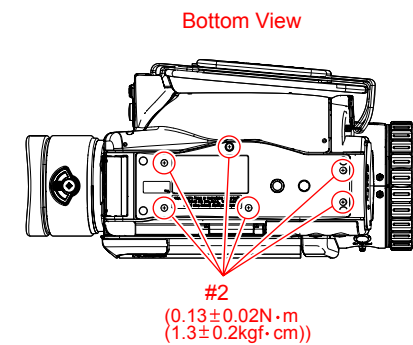
③ #233 X 4



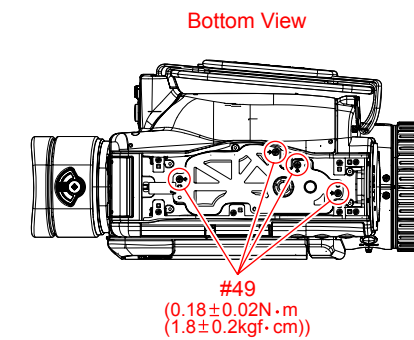
④ #Open Hot Shoe Lid (4-1) → #2 X 2 → Bring up EVF (4-2) → #2 X 2



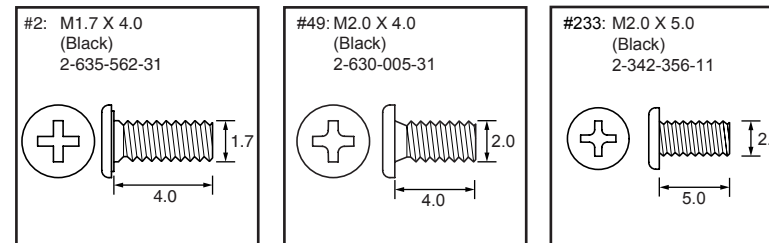
⑥ #2 X 6



⑦ #49 X 4



Screw

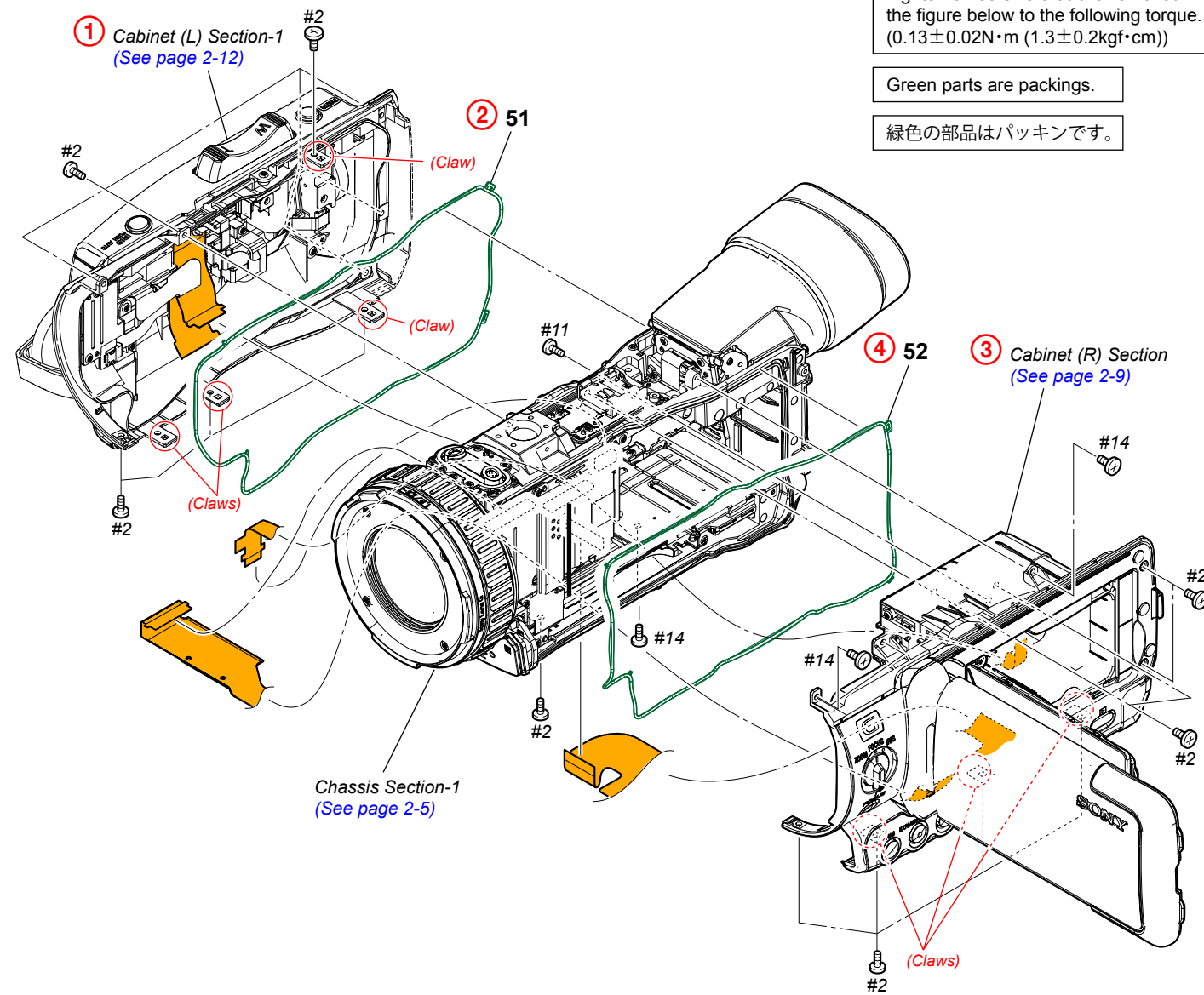


Note

Note : The Shoe Cover and Packing are not supplied independently. They are included in the Cabinet (T(91000)) Assy (X-2581-415-1).

Note : Shoe Coverとパッキンは単体では供給していません。Cabinet (T(91000)) Assy (X-2581-415-1) に含まれて供給されます。

2-1-2. OVERALL SECTION-2



図中で取り外しているねじは、下記のトルクで締めつけてください。
($0.13 \pm 0.02 \text{N} \cdot \text{m}$ ($1.3 \pm 0.2 \text{kgf} \cdot \text{cm}$))

Tighten all screws that are removed in the figure below to the following torque.
($0.13 \pm 0.02 \text{N} \cdot \text{m}$ ($1.3 \pm 0.2 \text{kgf} \cdot \text{cm}$))

Green parts are packings.

緑色の部品はパッキンです。

Ref. No.	Part No.	Description
51	4-282-250-01	PACKING, CABINET (L)
52	4-282-251-01	PACKING, CABINET (R)

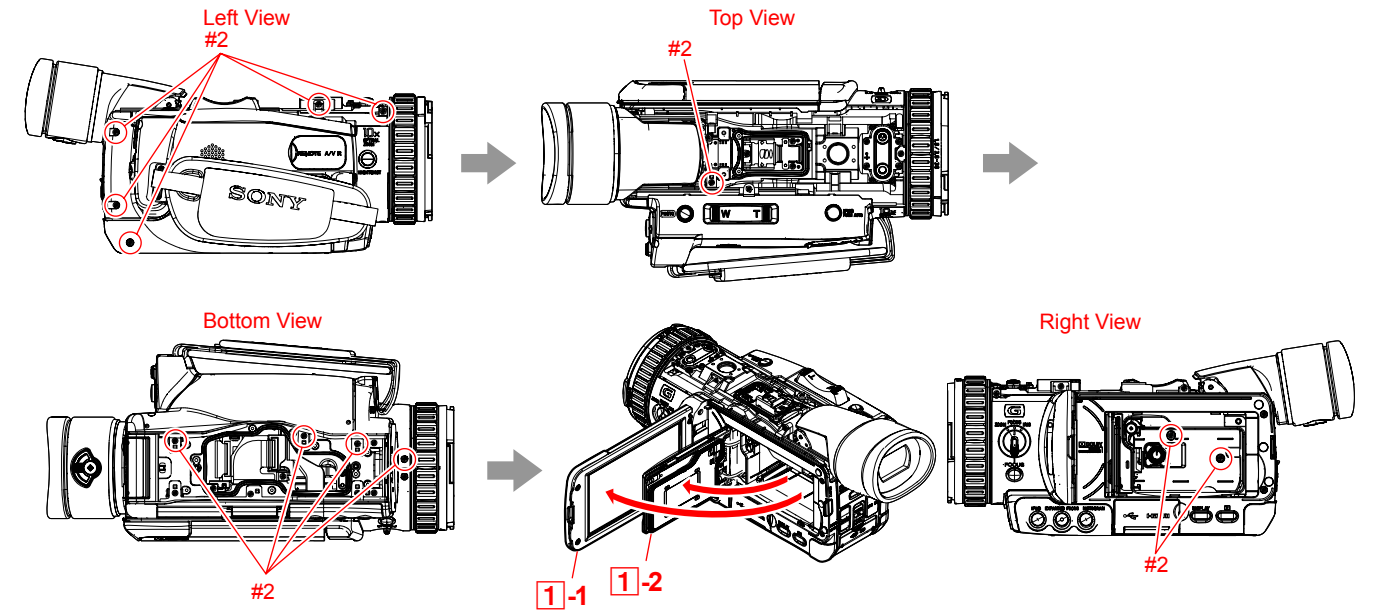
Ref. No.	Part No.	Description
#2	2-635-562-31	SCREW (M1.7)
#11	3-078-890-11	SCREW, TAPPING
#14	2-599-475-11	SCREW (M1.7)

HXR-NX70C/NX70E/NX70J/NX70N/NX70P/NX70U

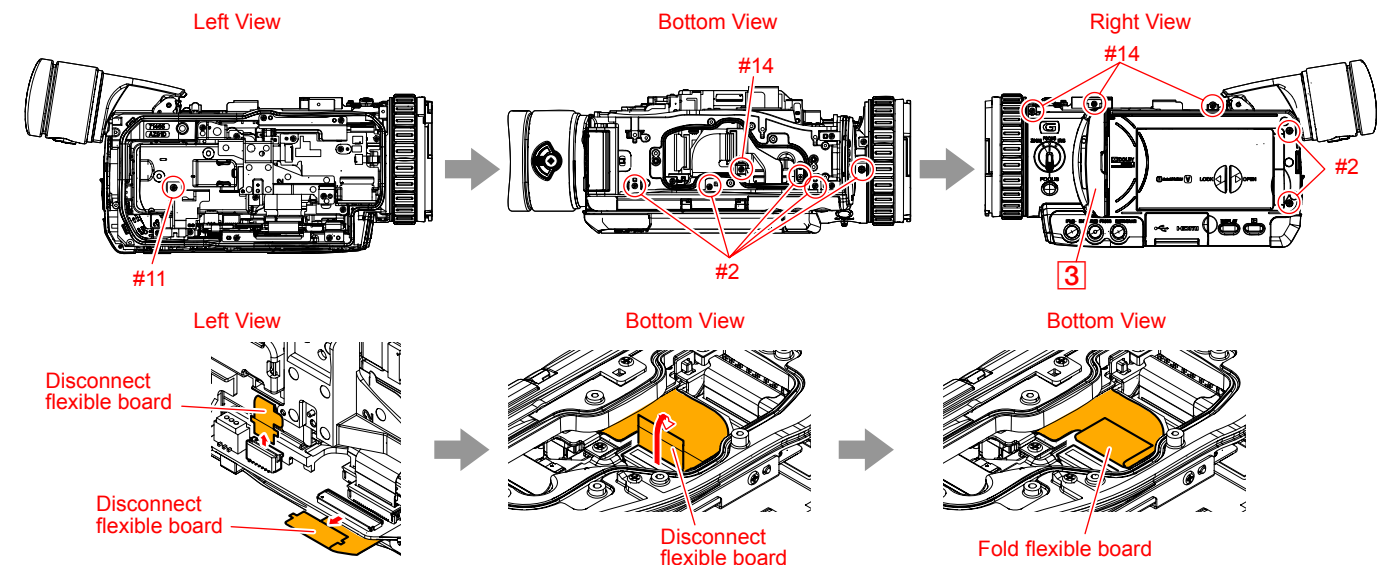
DISASSEMBLY

1. Remove to numerical order (① to ④) in the left figure.

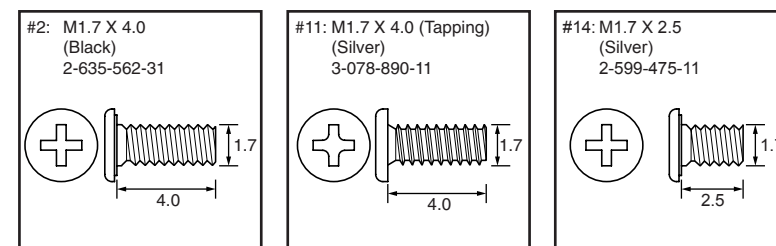
① #2 X 10 → Open LCD (①-1) → Open BT Lid (①-2) → #2 X 2



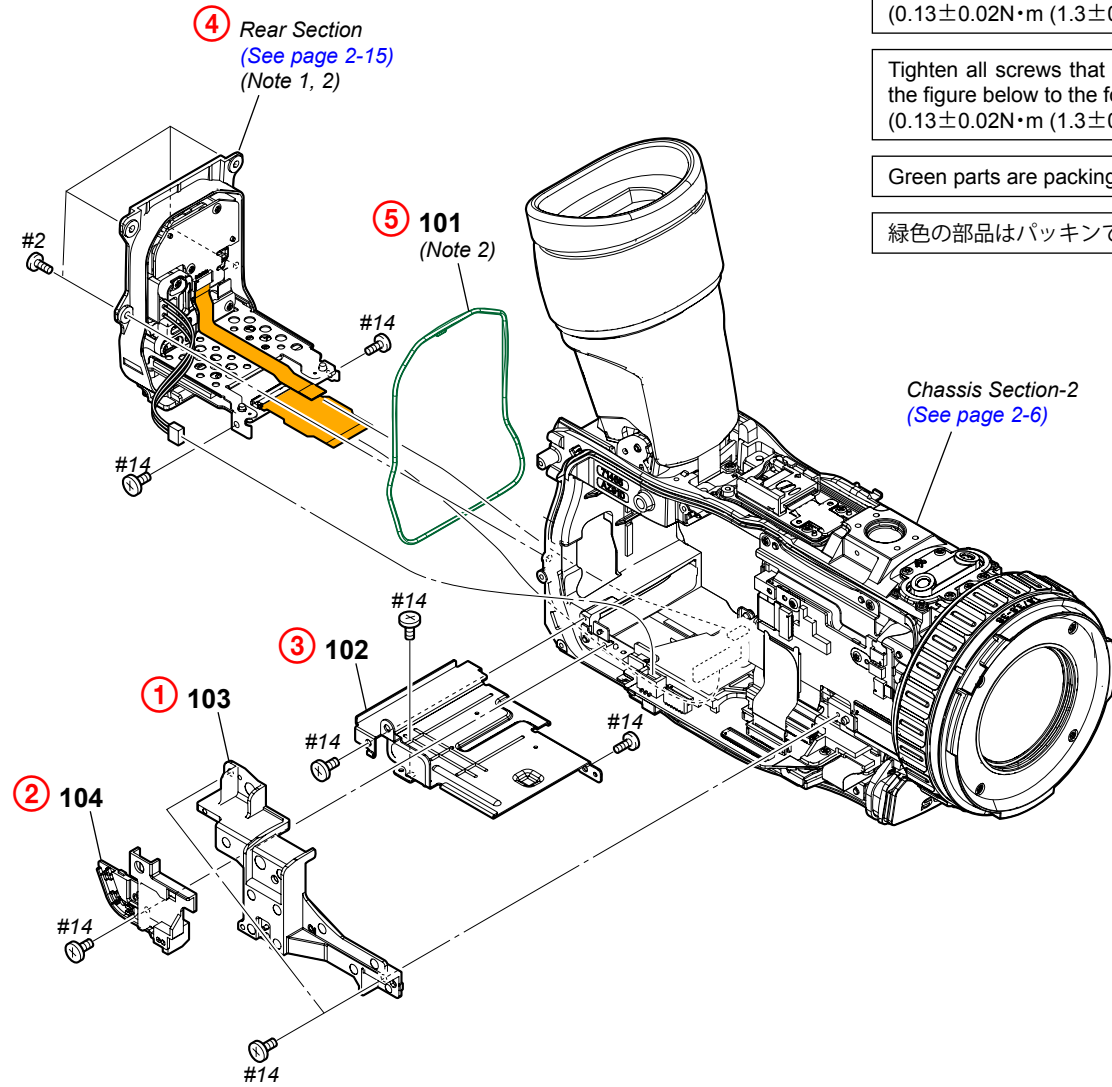
③ #11 X 1 → #14 X 1 → #2 X 5 → Open LCD (③) → #2 X 2 → #14 X 3 → Disconnect flexible boards → Fold flexible board



Screw



2-1-3. CHASSIS SECTION-1



図中で取り外しているねじは、下記のトルクで締めつけてください。
($0.13 \pm 0.02 \text{N} \cdot \text{m}$ ($1.3 \pm 0.2 \text{kgf} \cdot \text{cm}$))

Tighten all screws that are removed in the figure below to the following torque.
($0.13 \pm 0.02 \text{N} \cdot \text{m}$ ($1.3 \pm 0.2 \text{kgf} \cdot \text{cm}$))

Green parts are packings.

緑色の部品はパッキンです。

Chassis Section-2
(See page 2-6)

Ref. No.	Part No.	Description
101	4-282-252-01	PACKING, CABINET (RE) (Note 2)
102	4-282-362-01	HEAT SINK, BT
103	4-282-272-01	GUARD, L FLEXIBLE
104	4-282-275-01	CLIP, DC HARNESS

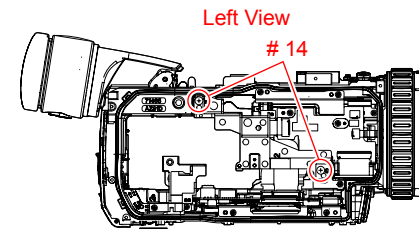
Ref. No.	Part No.	Description
#2	2-635-562-31	SCREW (M1.7)
#14	2-599-475-11	SCREW (M1.7)

HXR-NX70C/NX70E/NX70J/NX70N/NX70P/NX70U

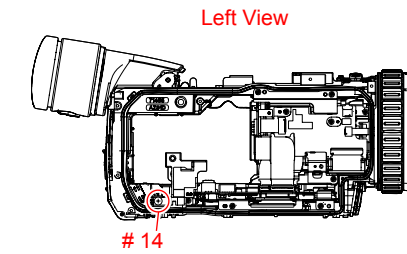
DISASSEMBLY

1. Remove to numerical order (① to ⑤) in the left figure.

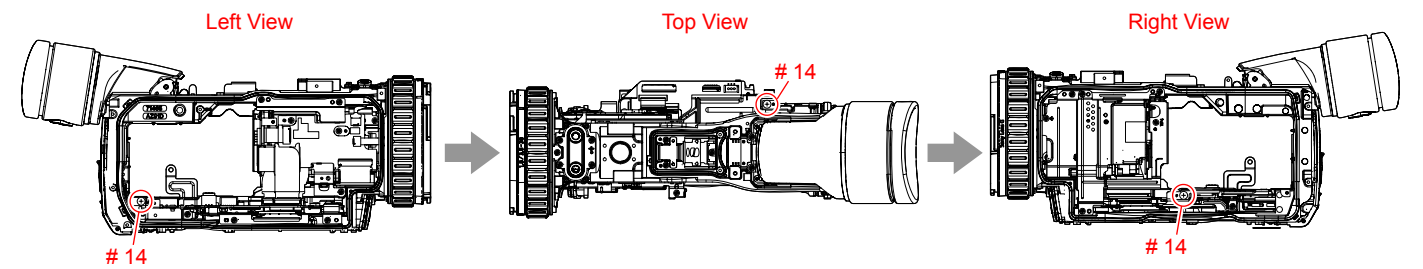
① #14 X 2



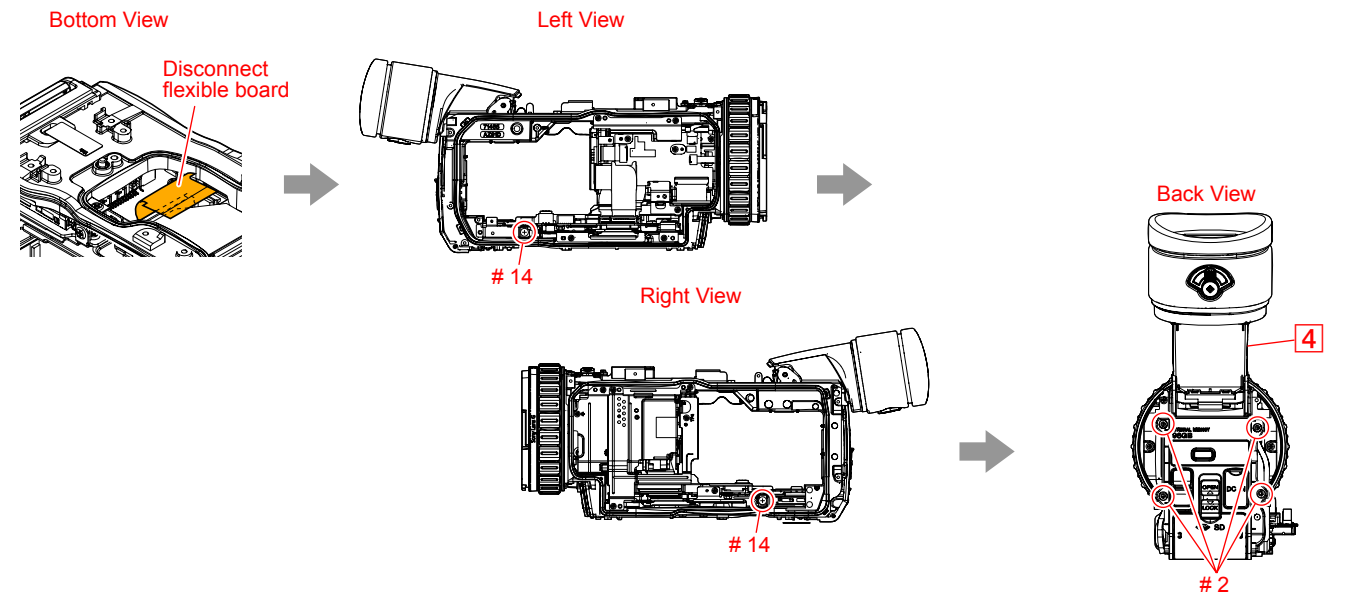
② #14 X 1



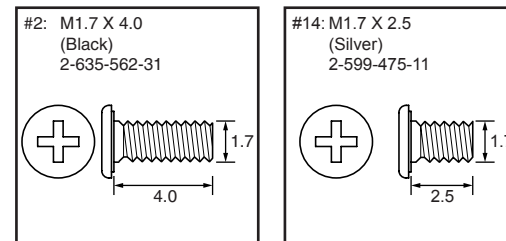
③ #14 X 3



④ Disconnect the flexible board → #14 X 2 → Bring up EVF (④) → #2 X 4



Screw



Note

Note 1: Refer to "Assembly-1: Installation Cautions of the DC Jack Harness."

Note 1: "Assembly-1: Installation Cautions of the DC Jack Harness." を参照してください。

Note 2: Refer to "Assembly-12: Assembly Cautions of the Rear Section and PACKING, CABINET (RE)."

Note 2: "Assembly-12: Assembly Cautions of the Rear Section and PACKING, CABINET (RE)." を参照してください。

2-1-4. CHASSIS SECTION-2

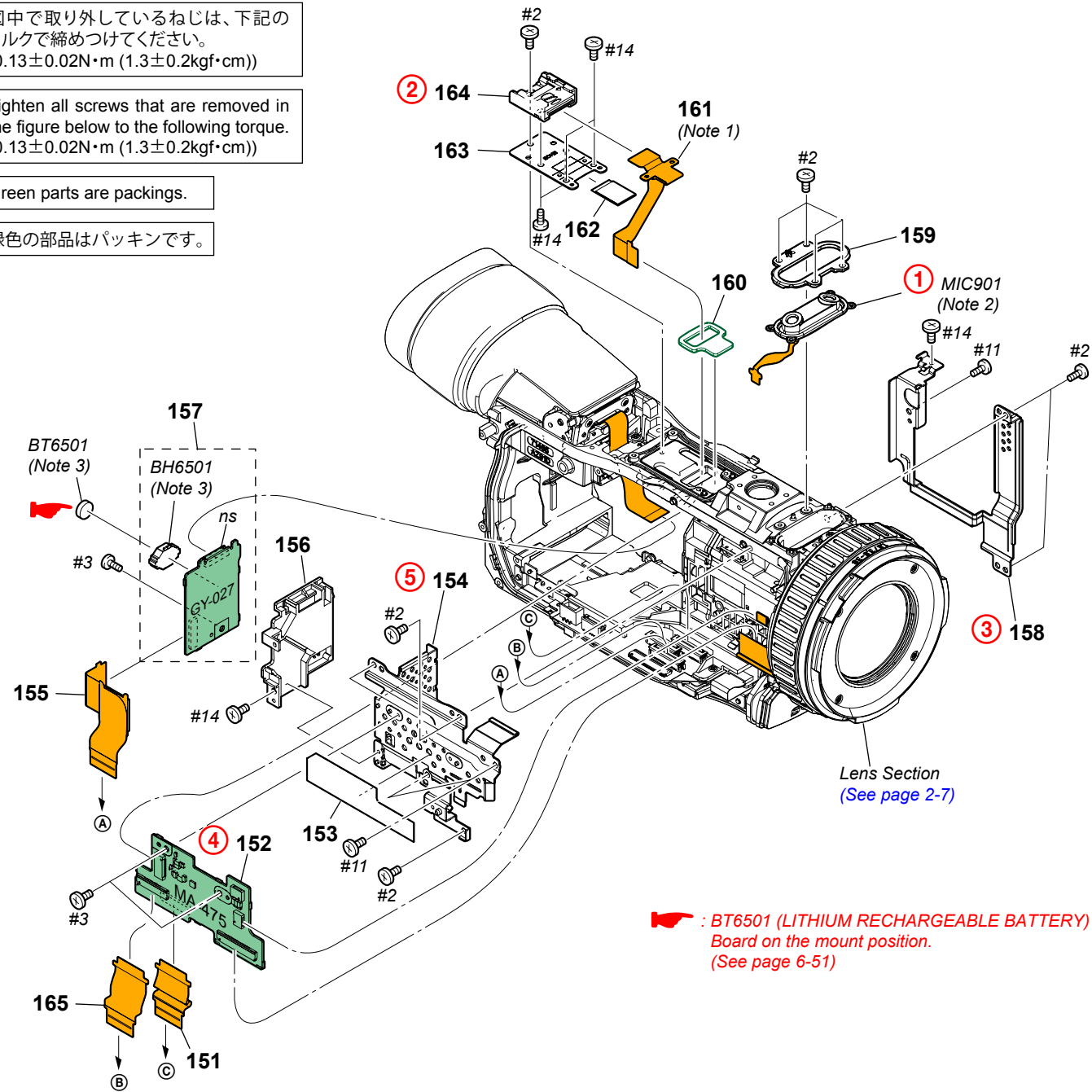
ns: not supplied

図中で取り外しているねじは、下記のトルクで締めつけてください。
(0.13±0.02N・m (1.3±0.2kgf・cm))

Tighten all screws that are removed in the figure below to the following torque.
(0.13±0.02N・m (1.3±0.2kgf・cm))

Green parts are packings.

緑色の部品はパッキンです。



: BT6501 (LITHIUM RECHARGEABLE BATTERY)
Board on the mount position.
(See page 6-51)

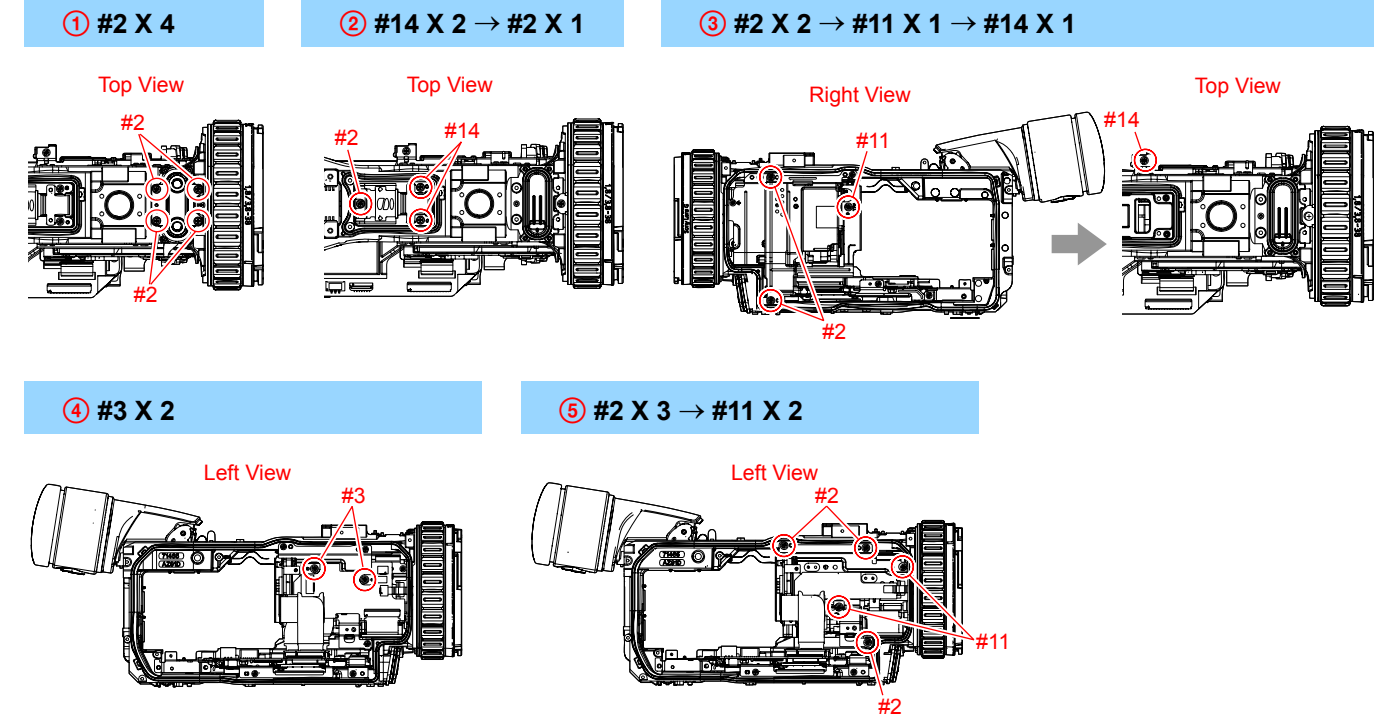
Ref. No.	Part No.	Description
151	1-883-170-11	FP-1375 (A) FLEXIBLE BOARD
152	A-1825-462-A	MA-475 BOARD, COMPLETE
153	4-283-279-01	SHEET, MA PROTECTION
154	4-282-363-01	FRAME (L), LENS
155	1-883-169-11	FP-1374 FLEXIBLE BOARD
156	4-282-274-01	BASE, GY
157	A-1825-511-A	GY-027 BOARD, COMPLETE (SERVICE)
158	4-282-360-01	REINFORCEMENT, R
159	4-282-325-01	CABINET, MIC
160	4-283-283-01	SHEET, HS WATERPROOF
161	1-883-176-11	FP-1381 FLEXIBLE BOARD (Note 1)

Ref. No.	Part No.	Description
162	4-283-282-01	SHEET, HS PROTECTION
163	4-282-361-01	FRAME, SHOE
164	1-818-890-11	CONNECTOR, EXTERNAL (HOT SHOE)
165	1-883-170-11	FP-1375 (B) FLEXIBLE BOARD
△	BH6501	1-251-928-21 HOLDER, BATTERY (Note 3)
△	BT6501	1-756-135-31 BATTERY LITHIUM SECONDARY (Note 3)
	MIC901	1-542-871-11 MICROPHONE UNIT (Note 2)
#2	2-635-562-31	SCREW (M1.7)
#3	2-660-401-01	SCREW (M1.7), NEW TRU-STAR, P2
#11	3-078-890-11	SCREW, TAPPING
#14	2-599-475-11	SCREW (M1.7)

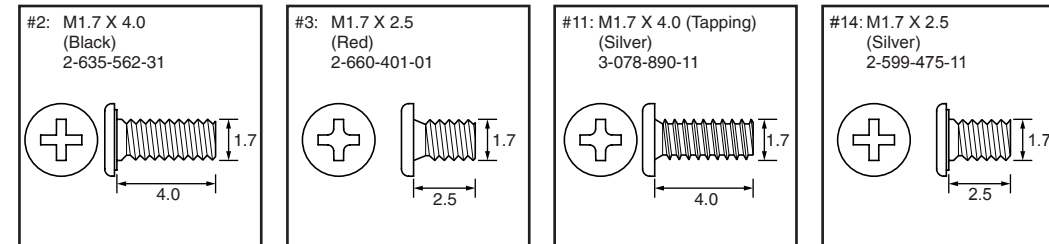
HXR-NX70C/NX70E/NX70J/NX70N/NX70P/NX70U

DISASSEMBLY

1. Remove to numerical order (① to ⑤) in the left figure.



Screw



Note

Note 1: Refer to "Assembly-8: Installation Cautions of the FP-1381 Flexible Board."

Note 2: Refer to "Assembly-9: Installation Cautions of the flexible board of the Microphone Unit."

Note 1: "Assembly-8: Installation Cautions of the FP-1381 Flexible Board."を参照してください。

Note 2: "Assembly-9: Installation Cautions of the flexible board of the Microphone Unit."を参照してください。

Caution :

Danger of explosion if battery is incorrectly replaced.
Replace only with the same or equivalent type.
Dispose of used batteries according to the instructions.

Note 3: Replace the battery holder (BH6501) together when replacing the lithium storage battery (BT6501) on the GY-027 board. (The battery holder removed once cannot be used again.) When mounting these parts, mount new battery holder first and attach new lithium storage battery next.

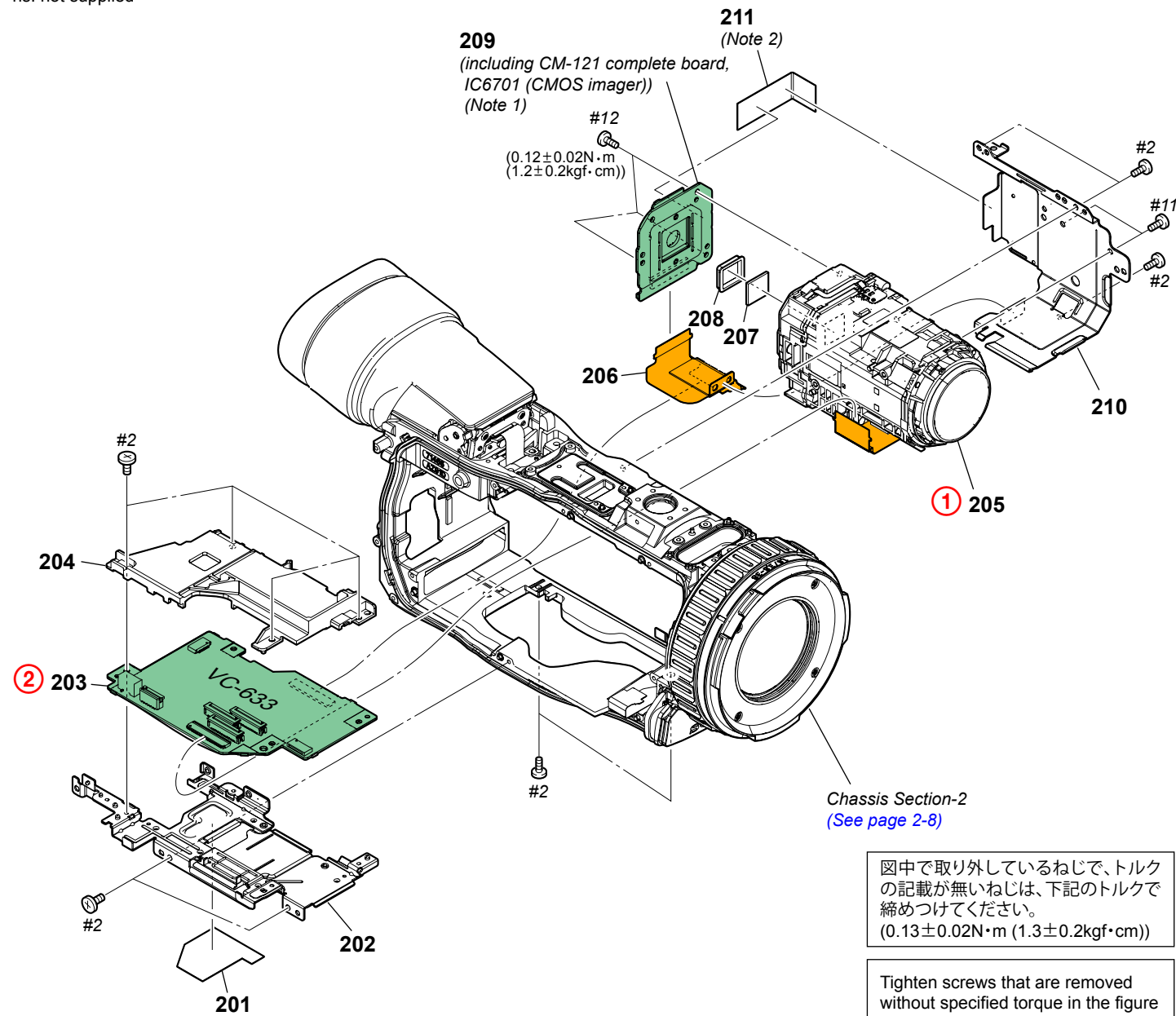
注意

電池の交換は、正しく行わないと破裂する恐れがあります。
電池を交換する場合には必ず同じ型名の電池又は同等品と交換してください。
使用済み電池は、取扱指示に従って処分してください。

Note 3: GY-027基板のリチウム蓄電池 (BT6501) を交換する場合はバッテリーホルダ (BH6501) も同時に新品に交換してください。(一度使用したバッテリーホルダは再使用できません。) 部品取り付けの際は、先にバッテリーホルダを取り付けてからリチウム蓄電池を装着してください。

2-1-5. LENS SECTION

ns: not supplied



図中で取り外しているねじで、トルクの記載が無いねじは、下記のトルクで締めつけてください。
($0.13 \pm 0.02 \text{N} \cdot \text{m}$ ($1.3 \pm 0.2 \text{kgf} \cdot \text{cm}$))

Tighten screws that are removed without specified torque in the figure below to the following torque.
($0.13 \pm 0.02 \text{N} \cdot \text{m}$ ($1.3 \pm 0.2 \text{kgf} \cdot \text{cm}$))

Ref. No.	Part No.	Description
201	4-283-273-01	SHEET, HD PROTECTION
202	X-2581-421-1	FRAME (VC) ASSY
203	A-1825-510-A	VC-633 BOARD, COMPLETE (SERVICE)
204	4-282-273-01	GUARD, VC
205	A-1733-302-A	DEVICE, LENS LSV-1390A (SERVICE)

206	1-883-172-11	FP-1377 FLEXIBLE BOARD
207	1-856-033-21	OPTICAL FILTERBLOCK (OFB-03-52)
208	3-216-044-01	RUBBER (1270), SEAL

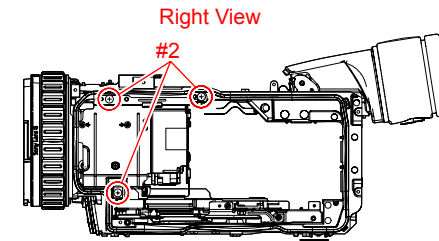
Ref. No.	Part No.	Description
209	A-1785-655-A	CMOS BLOCK ASSY (including CM-121 complete board, IC6701 (CMOS imager)) (Note 1)
210	4-282-364-01	FRAME (R), LENS
211	4-283-270-01	SHEET, CM RADIATION (Note 2)
#2	2-635-562-31	SCREW (M1.7)
#11	3-078-890-11	SCREW, TAPPING
#12	3-080-204-21	SCREW, TAPPING, P2

HXR-NX70C/NX70E/NX70J/NX70N/NX70P/NX70U

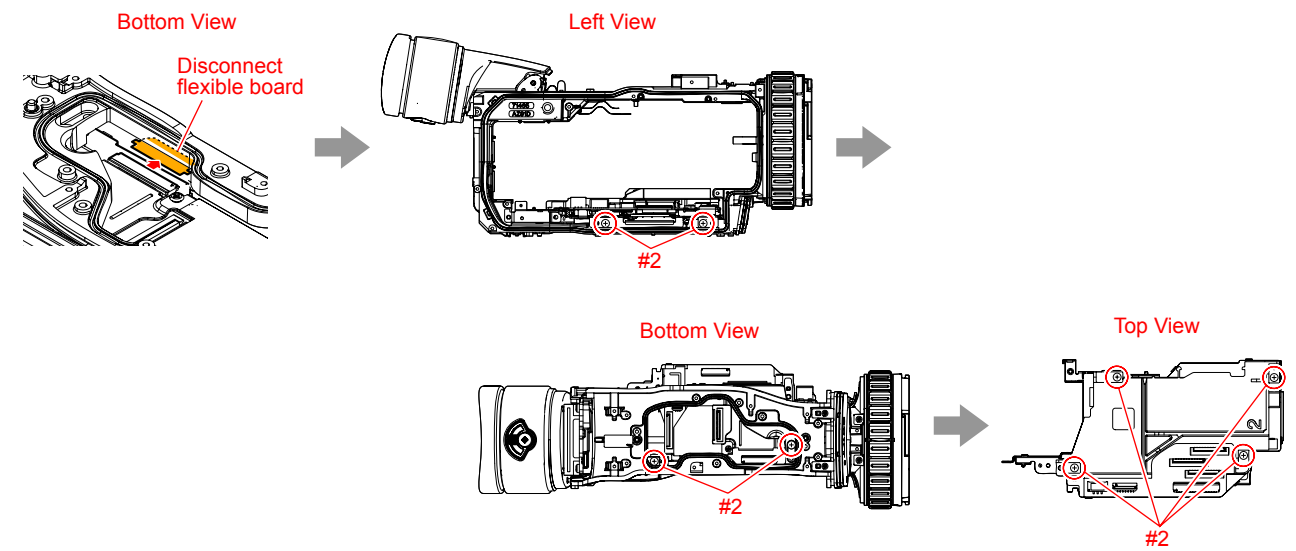
DISASSEMBLY

1. Remove to numerical order (① to ②) in the left figure.

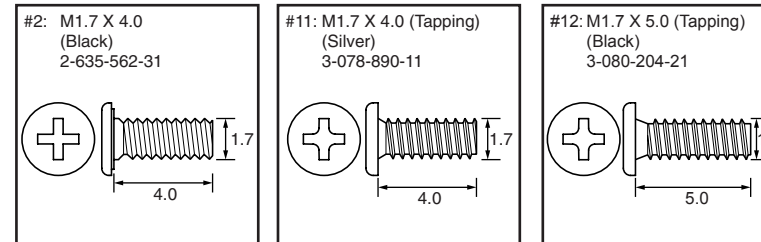
① #2 X 3



② #2 X 8



Screw



Note

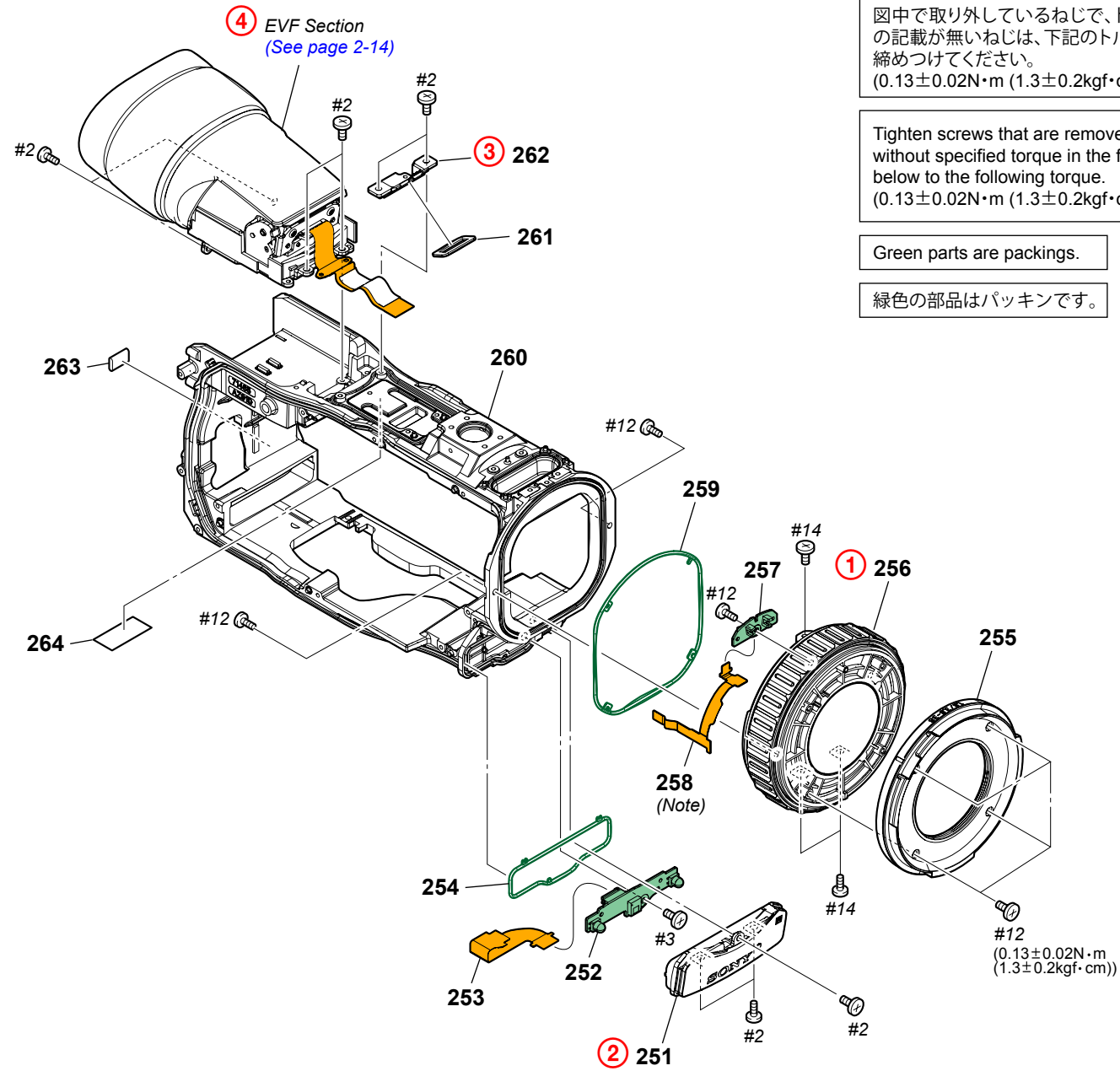
Note 1: Be sure to read "Precautions for Replacement of Imager" on page 6-1 when changing the imager.

Note 1: イメージャの交換時は6-1ページ、「イメージャ交換時の注意」を必ずお読みください。

Note 2: The CM Radiation Sheet when peeling off once, so that it cannot be reused.

Note 2: CM Radiation Sheetは一度剥がすと粘着力が弱くなるため、再利用はしないでください。

2-1-6. FRONT/CHASSIS SECTION



図中で取り外しているねじで、トルクの記載が無いねじは、下記のトルクで締めつけてください。
(0.13±0.02N·m (1.3±0.2kgf·cm))

Tighten screws that are removed without specified torque in the figure below to the following torque.
(0.13±0.02N·m (1.3±0.2kgf·cm))

Green parts are packings.

緑色の部品はパッキンです。

Ref. No.	Part No.	Description
251	X-2581-412-1	CABINET ASSY, IR
252	A-1825-467-A	IR-072 BOARD, COMPLETE
253	1-883-159-11	FP-1364 FLEXIBLE BOARD
254	4-282-254-01	PACKING, IR CABINET
255	4-282-242-01	SCREW, FILTER
△ 256	A-1833-640-A	RING ASSY (SERVICE), ASSIGN
257	A-1825-470-A	EC-005 BOARD, COMPLETE
258	1-883-158-11	FP-1363 FLEXIBLE BOARD (Note)
259	4-282-253-01	PACKING, AR CABINET
260	4-282-238-01	CHASSIS, CENTER

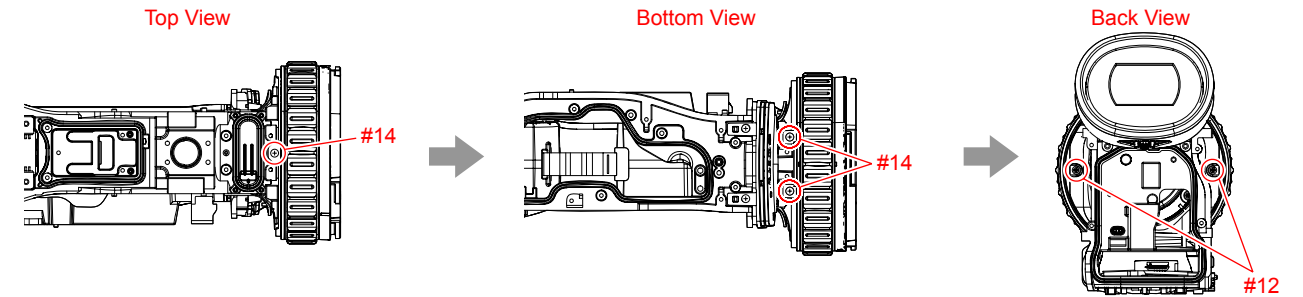
Ref. No.	Part No.	Description
261	4-283-274-01	SHEET (G), VF WATERPROOF
262	4-282-281-01	RETAINER (JS), VF FLEXIBLE
263	4-283-291-01	GASKET, MS
264	2-590-635-01	TAPE (AS 1/2)
#2	2-635-562-31	SCREW (M1.7)
#3	2-660-401-01	SCREW (M1.7), NEW TRU-STAR, P2
#12	3-080-204-21	SCREW, TAPPING, P2
#14	2-599-475-11	SCREW (M1.7)

HXR-NX70C/NX70E/NX70J/NX70N/NX70P/NX70U

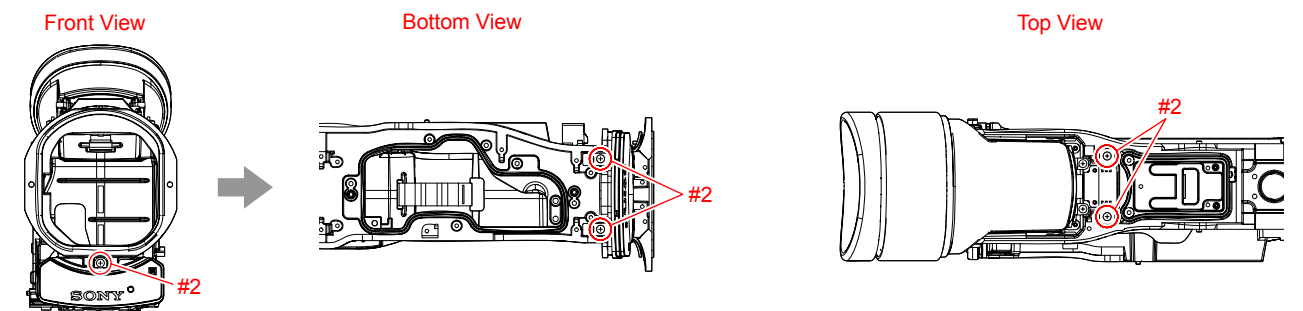
DISASSEMBLY

1. Remove to numerical order (① to ④) in the left figure.

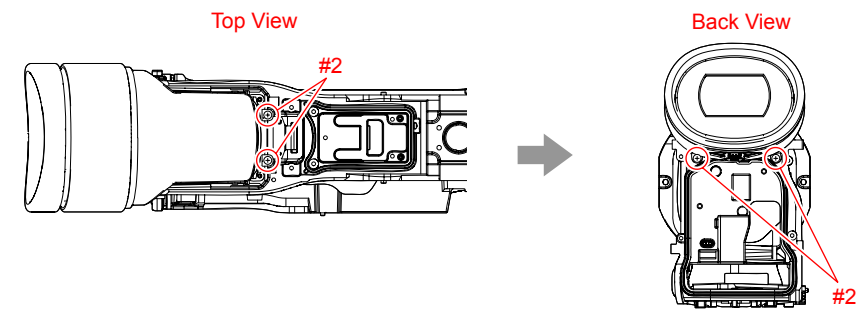
① #14 X 3 → #12 X 2



② #2 X 3

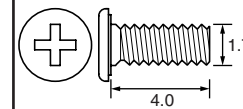


④ #2 X 4

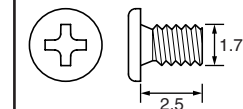


Screw

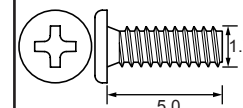
#2: M1.7 X 4.0
(Black)
2-635-562-31



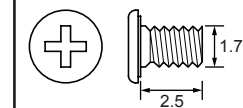
#3: M1.7 X 2.5
(Red)
2-660-401-01



#12: M1.7 X 5.0 (Tapping)
(Black)
3-080-204-21



#14: M1.7 X 2.5
(Silver)
2-599-475-11

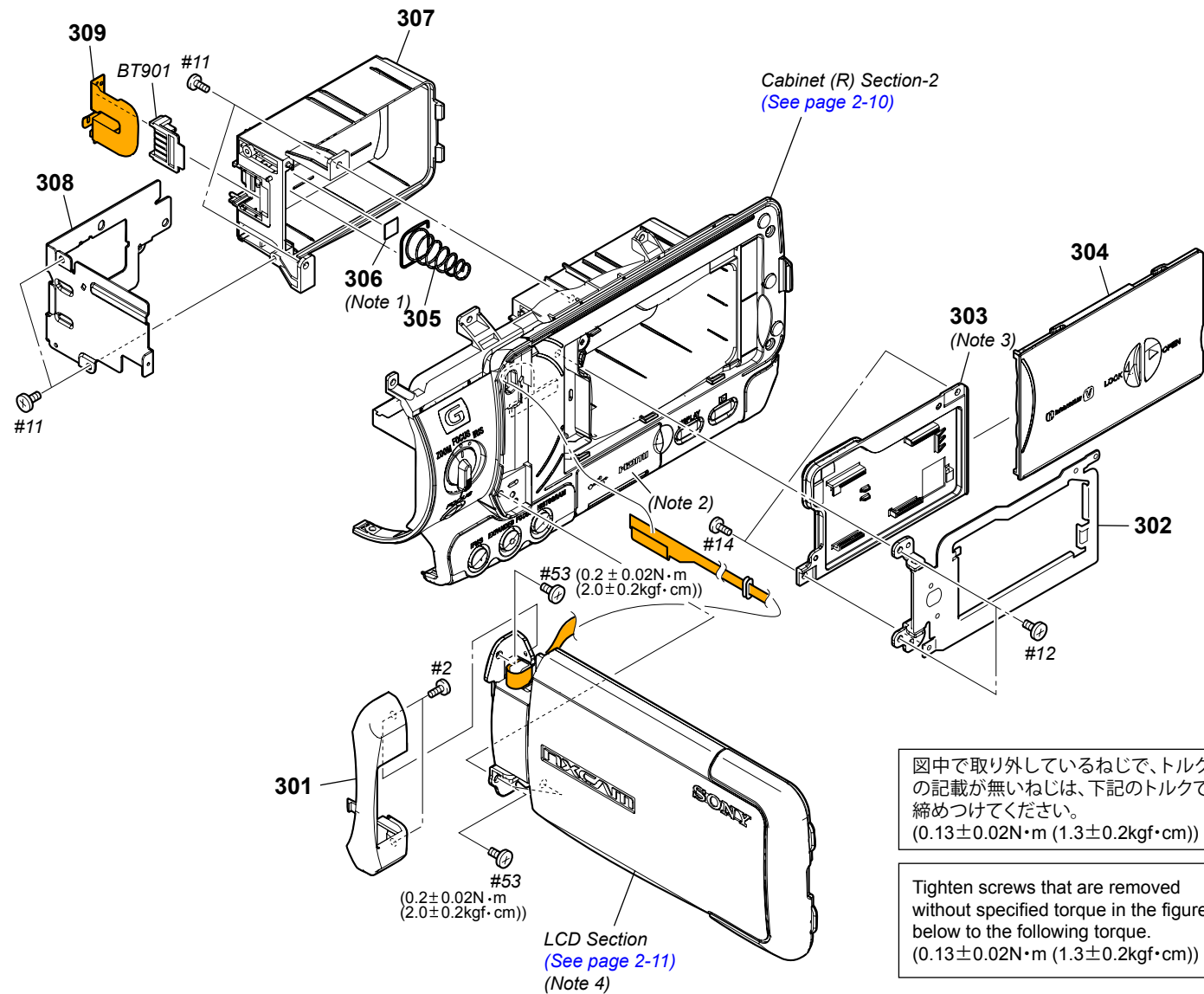


Note

Note: Refer to "Assembly-6: Installation Cautions of the FP-1363 Flexible Board."

Note: "Assembly-6: Installation Cautions of the FP-1363 Flexible Board."を参照してください。

2-1-7. CABINET (R) SECTION-1

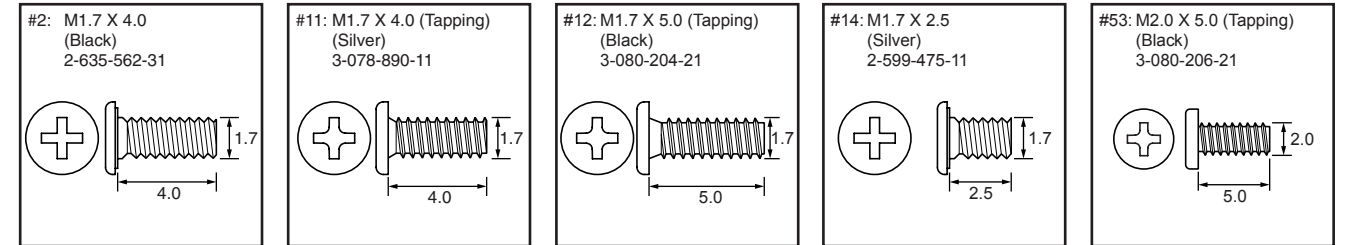


Ref. No.	Part No.	Description
301	4-282-310-01	COVER (R), HINGE
302	X-2581-424-1	HINGE ASSY, BT
303	A-1833-643-A	INNER ASSY (SERVICE), BT LID (Note 3)
304	X-2581-417-1	LID (OUTER) ASSY, BT
305	4-283-293-01	SPRING, BT RELEASE
306	4-283-269-01	SHEET, LEAK DETECTION (Note 1)
307	4-282-309-01	CASE, BT
308	4-282-398-01	FRAME, BT

Ref. No.	Part No.	Description
309	1-883-165-11	FP-1370 FLEXIBLE BOARD
△ BT901	1-780-064-51	BATTERY TERMINAL BOARD
#2	2-635-562-31	SCREW (M1.7)
#11	3-078-890-11	SCREW, TAPPING
#12	3-080-204-21	SCREW, TAPPING, P2
#14	2-599-475-11	SCREW (M1.7)
#53	3-080-206-21	SCREW, TAPPING, P2

HXR-NX70C/NX70E/NX70J/NX70N/NX70P/NX70U

Screw



Note

Note 1: Do not touch the Leak Detection Sheet with a wet hand. Keep it away from water.

Note 1: Leak Detection Sheet を湿った手で触れたり、水滴が付かないよう注意してください。

Note 2: The JK Cover (R) and Packing are not supplied independently. They are included in the Cabinet (R) Assy (X-2581-416-1).

Note 2: JK Cover(R)とパッキンは単体では供給していません。Cabinet (R) Assy (X-2581-416-1)に含まれて供給されます。

Note 3: The BT Lid Inner and Packing are not supplied independently. They are included in the BT Lid Inner Assy (Service) (A-1833-643-A).

Note 3: BT Lid Innerとパッキンは単体では供給していません。BT Lid Inner Assy (Service)(A-1833-643-A)に含まれて供給されます。

Note 4: Refer to "Assembly-13: Note on installation of the LCD block."

Note 4: "Assembly-13: Note on installation of the LCD block." を参照してください。

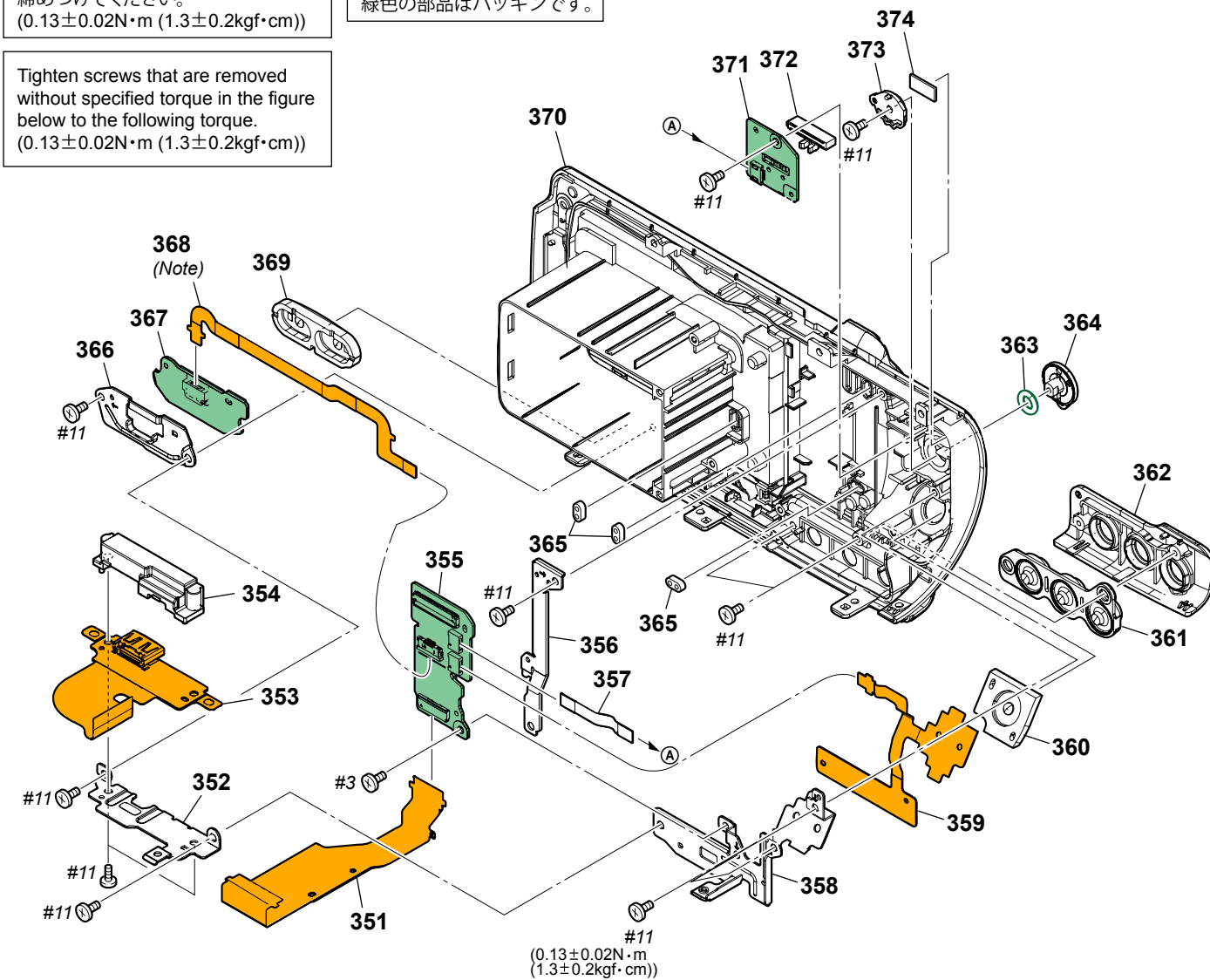
2-1-8. CABINET (R) SECTION-2

図中で取り外しているねじで、トルク
の記載が無いねじは、下記のトルクで
締めつけてください。
($0.13 \pm 0.02 \text{N} \cdot \text{m}$ ($1.3 \pm 0.2 \text{kgf} \cdot \text{cm}$))

Green parts are packings.

緑色の部品はパッキンです。

Tighten screws that are removed
without specified torque in the figure
below to the following torque.
($0.13 \pm 0.02 \text{N} \cdot \text{m}$ ($1.3 \pm 0.2 \text{kgf} \cdot \text{cm}$))

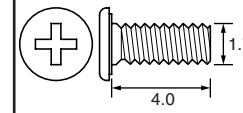


Ref. No.	Part No.	Description
351	1-883-173-11	FP-1378 FLEXIBLE BOARD
352	4-282-391-01	PLATE (R), JK
353	A-1825-474-A	FP-1360 FLEXIBLE BOARD, COMPLETE
354	4-282-305-01	RETAINER (R), JK
355	A-1825-461-A	CK-235 BOARD, COMPLETE
356	4-282-389-01	SHEET METAL, HINGE RETAINER
357	1-834-503-11	FLEXIBLE FLAT CABLE (FJH-003)
358	4-282-390-01	SHEET METAL, BUTTON RETAINER
359	1-883-161-11	FP-1366 BOARD, COMPLETE
360	4-282-261-01	BUTTON, FOCUS
361	4-282-262-01	BUTTON, IRIS
362	4-282-304-01	COVER, IRIS BUTTON
363	4-282-260-01	PACKING, RING (ASSIGN)
364	4-282-301-01	LEVER, RING (ASSIGN)

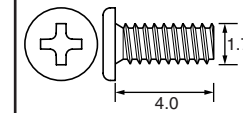
Ref. No.	Part No.	Description
365	4-257-059-01	RUBBER, CONDUCTIVE
366	4-282-392-01	FRAME, DK
367	A-1825-468-A	DK-034 BOARD, COMPLETE
368	1-883-162-11	FP-1367 FLEXIBLE BOARD (Note)
369	4-282-263-01	BUTTON, DK
370	X-2581-416-1	CABINET (R) ASSY
371	A-1825-469-A	RS-089 BOARD, COMPLETE
372	4-282-303-01	SLIDER, RING (ASSIGN)
373	4-282-302-01	RETAINER, RING (ASSIGN)
374	4-286-613-01	CUSHION (SLIDER)
#3	2-660-401-01	SCREW (M1.7), NEW TRU-STAR, P2
#11	3-078-890-11	SCREW, TAPPING

Screw

#2: M1.7 X 4.0
(Black)
2-635-562-31



#11: M1.7 X 4.0 (Tapping)
(Silver)
3-078-890-11

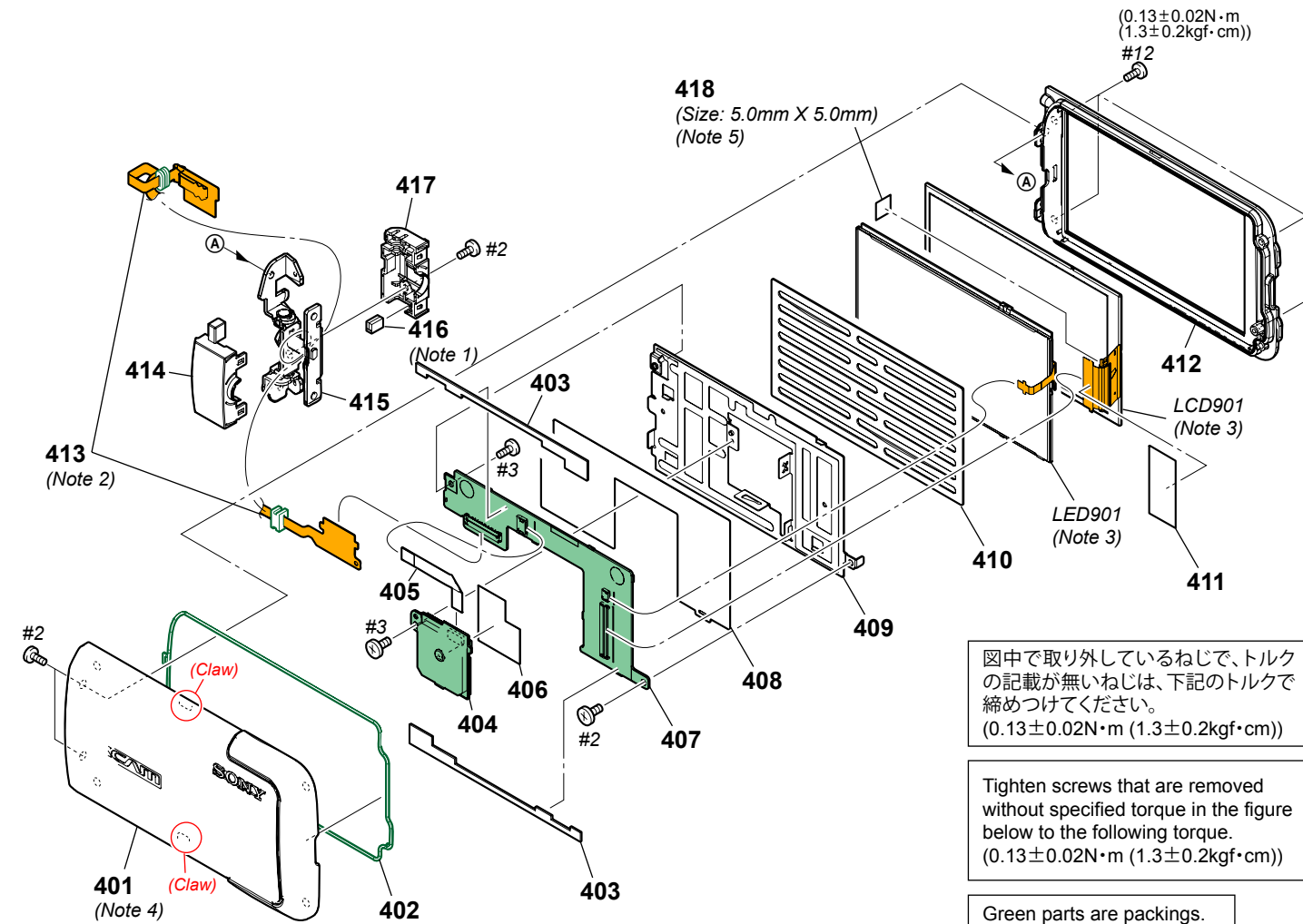


Note

Note: Refer to "Assembly-7: Installation Cautions of the FP-1367 Flexible Board."

Note: "Assembly-7: Installation Cautions of the FP-1367 Flexible Board."を参照してください。

2-1-9. LCD SECTION

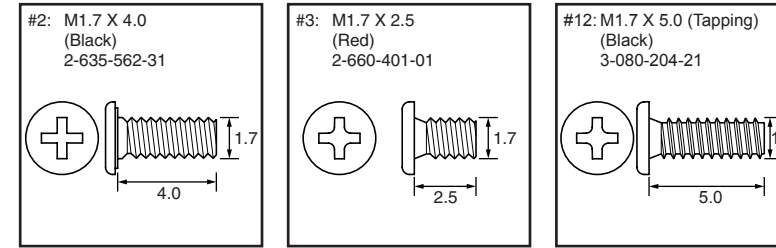


Ref. No.	Part No.	Description
401	X-2581-413-1	CABINET (C) ASSY, P (Note 4)
402	4-282-267-01	PACKING, P CABINET
403	4-283-324-01	SHEET, PANEL FIXED
404	A-1808-076-A	GP392ASSY (NX70E/NX70J/NX70N/NX70P/NX70U)
405	1-838-558-21	CABLE, FLEXIBLE FLAT (FFC-254) (NX70E/NX70J/NX70N/NX70P/NX70U)
406	4-283-285-01	SHEET, GP (NX70E/NX70J/NX70N/NX70P/NX70U)
407	A-1825-459-A	PD-438 BOARD, COMPLETE
408	4-283-278-01	INSULATING SHEET
409	4-282-373-01	FRAME, LCD
410	4-283-280-01	CUSHION (91000), LCD
411	4-285-676-01	TAPE (A (P))
412	A-1833-642-A	CABINET (M) ASSY (SERVICE), P

Ref. No.	Part No.	Description
413	1-883-175-11	FP-1380 FLEXIBLE BOARD (Note 2)
414	4-282-311-01	COVER (O), HINGE
415	X-2581-425-1	HINGE ASSY, LCD
416	1-471-504-11	MAGNET (ND5X3.5X2.4-B) (Note 1)
417	4-282-312-01	COVER (U), HINGE
418	3-089-986-01	SHEET, LIGHT INTERCEPTION (Note 5)
LCD901	1-811-403-11	LCD WITH TOUCH PANEL (Note 3)
LED901	1-487-270-11	BLOCK, LIGHT GUIDE PLATE (3.5) (Note 3)
#2	2-635-562-31	SCREW (M1.7)
#3	2-660-401-01	SCREW (M1.7), NEW TRU-STAR, P2
#12	3-080-204-21	SCREW, TAPPING, P2

HXR-NX70C/NX70E/NX70J/NX70N/NX70P/NX70U

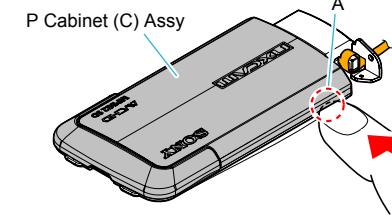
Screw



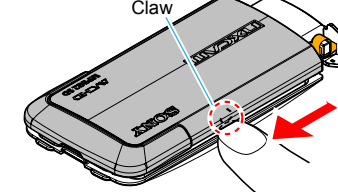
Note

Note 4: Remove the P Cabinet (C) Assy using the following procedure so as not to damage the claws of the P Cabinet (C) Assy.

- ① Insert your finger nail or a plate that will not scratch the cabinet into slit A.



- ② Slide the finger nail or the plate in the arrow direction to release the claw.

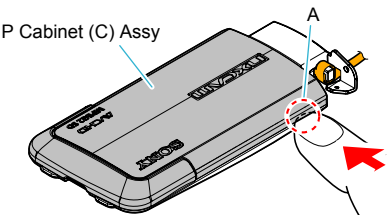


- ③ Slide the P Cabinet (C) Assy in the arrow direction to release the claw, and detach the P Cabinet (C) Assy.

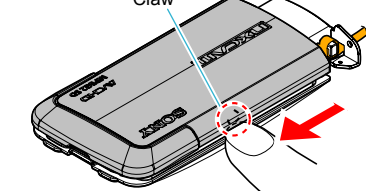


Note 4: P Cabinet (C) Assyの爪を折らないために、以下の手順で P Cabinet (C) Assyを取り外してください。

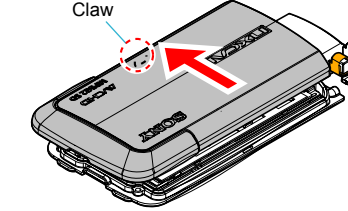
- ① 指の爪か、キャビネットに傷を付けかない程度にやわらかい板状のものをAの箇所に差し込む。



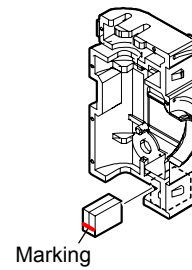
- ② 差し込んだものを矢印方向にスライドさせて、爪1箇所を外す。



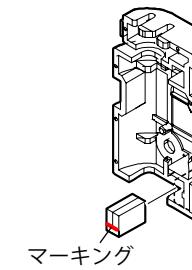
- ③ P Cabinet (C) Assyを矢印方向にスライドさせて爪1箇所を外し、P Cabinet (C) Assyを取り外す。



Note 1: Put the marking side together on the position of figure when you install the magnet.



Note 1: マグネットを取付ける際は、マーキング面を図の位置にあわせてください。



Note 2: Refer to "Assembly-10: The Method of attachment of FP-1380 Flexible Board."

Note 2: "Assembly-10: The Method of attachment of FP-1380 Flexible Board."を参照してください。

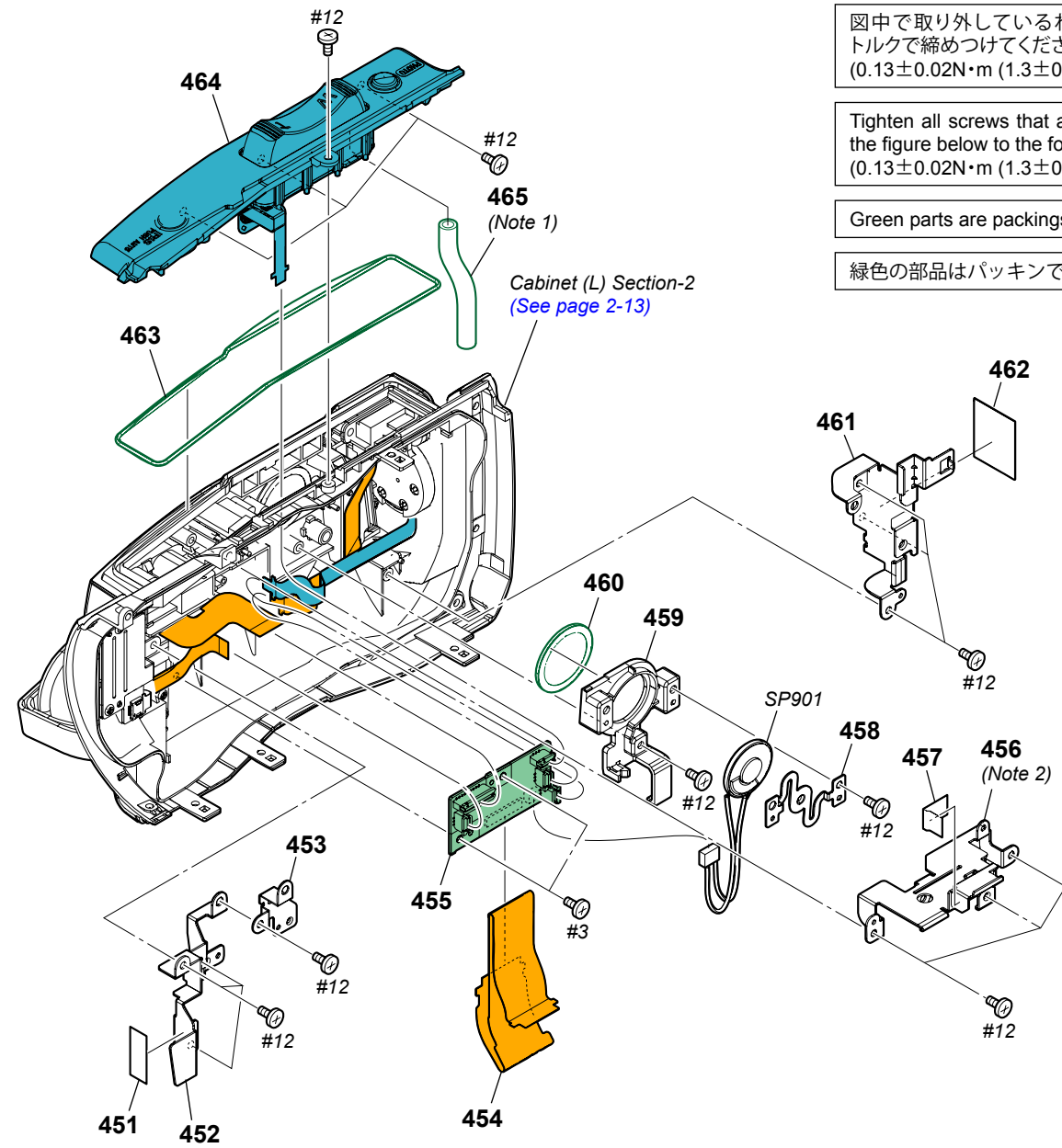
Note 3: Refer to "Assembly-11: Installation Cautions of the LCD Block."

Note 3: "Assembly-11: Installation Cautions of the LCD Block."を参照してください。

Note 5: Cut SHEET, LIGHT INTERCEPTION (3-089-986-01) into the desired length and use it.

Note 5: SHEET, LIGHT INTERCEPTION (3-089-986-01) は指定のサイズに切って使用すること。

2-1-10. CABINET (L) SECTION-1



図中で取り外しているねじは、下記のトルクで締めつけてください。
($0.13 \pm 0.02 \text{N} \cdot \text{m}$ ($1.3 \pm 0.2 \text{kgf} \cdot \text{cm}$))

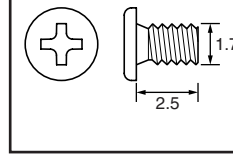
Tighten all screws that are removed in the figure below to the following torque.
($0.13 \pm 0.02 \text{N} \cdot \text{m}$ ($1.3 \pm 0.2 \text{kgf} \cdot \text{cm}$))

Green parts are packings.

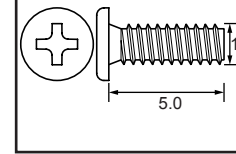
緑色の部品はパッキンです。

Screw

#3: M1.7 X 2.5
(Red)
2-660-401-01



#12: M1.7 X 5.0 (Tapping)
(Black)
3-080-204-21



Note

Note 1: Refer to "Assembly-3: Installation Cautions of the Drain Tube."

Note 1: "Assembly-3: Installation Cautions of the Drain Tube." を参照してください。

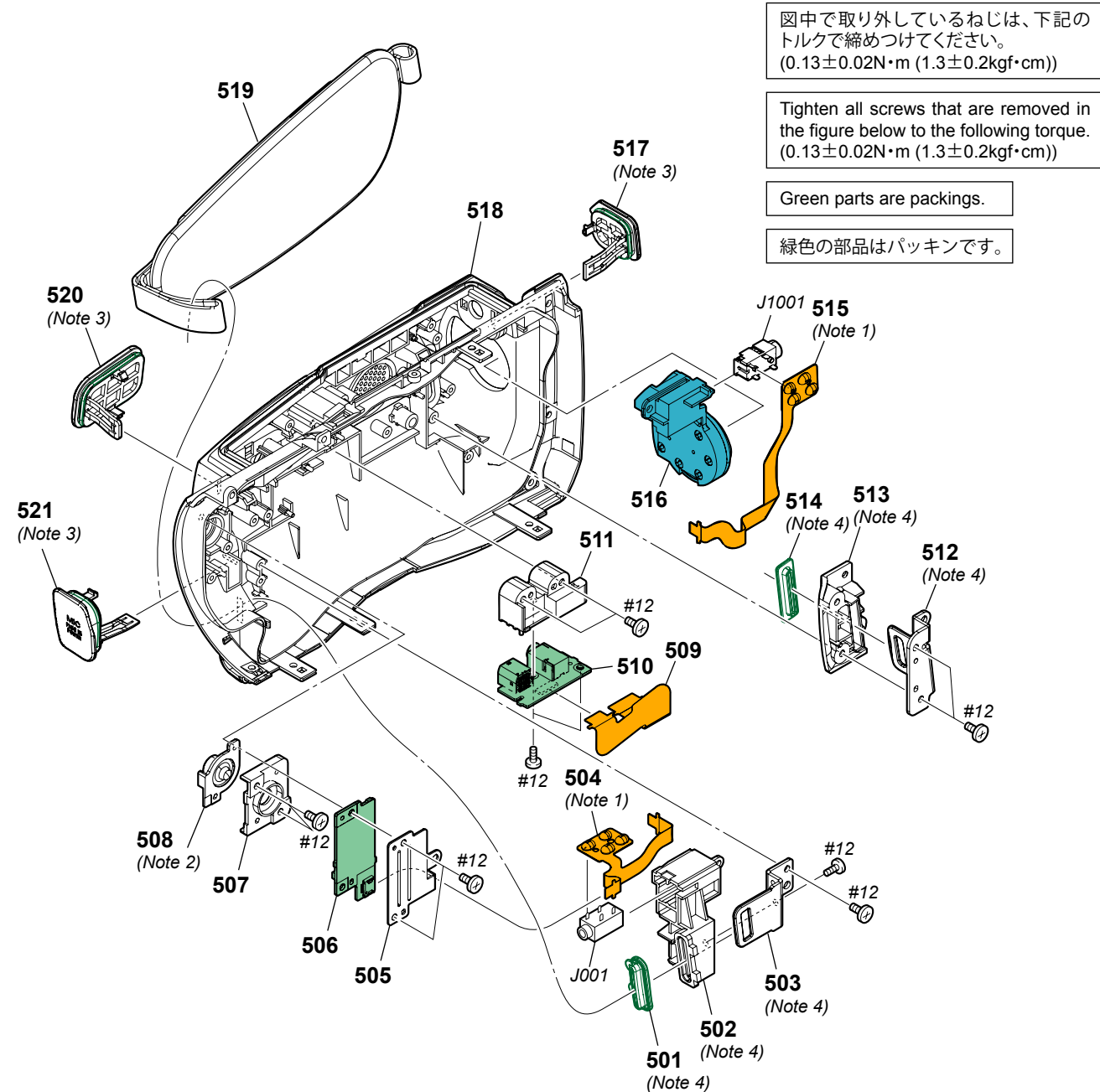
Note 2: Refer to "Assembly-4: Installation Cautions of the Flexible Boards."

Note 2: "Assembly-4: Installation Cautions of the Flexible Boards." を参照してください。

Ref. No.	Part No.	Description
451	4-287-060-01	SHEET (MC)
452	4-282-370-01	FRAME (MC)
453	4-282-368-01	FRAME (GC)
454	1-883-168-11	FP-1373 FLEXIBLE BOARD
455	A-1825-463-A	GC-017 BOARD, COMPLETE
456	4-282-366-01	FRAME (PZ) (Note 2)
457	4-283-284-01	SHEET, PZ PROTECTION
458	4-282-369-01	FRAME (SP)
459	4-282-327-01	HOLDER, SPEAKER
460	4-283-288-01	SHEET, SPEAKER

Ref. No.	Part No.	Description
461	4-282-367-01	FRAME (PS)
462	4-287-061-01	SHEET (PS)
463	4-282-269-01	PACKING, CABINET (PZ)
464	1-489-372-11	SWITCH BLOCK, CONTROL (PZ91000)
465	4-283-268-01	TUBE, DRAIN (Note 1)
SP901	1-858-324-41	SPEAKER (1.6CM)
#3	2-660-401-01	SCREW (M1.7), NEW TRU-STAR, P2
#12	3-080-204-21	SCREW, TAPPING, P2

2-1-11. CABINET (L) SECTION-2

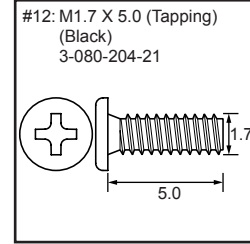


Ref. No.	Part No.	Description
501	4-282-264-01	PACKING (F), GRIP BELT (Note 4)
502	4-282-314-01	HOLDER (F), GRIP BELT (Note 4)
503	4-282-371-01	SHEET METAL (F), GRIP BELT (Note 4)
504	1-883-157-11	FP-1362 FLEXIBLE BOARD (Note 1)
505	4-282-377-01	FRAME (NS)
506	A-1825-471-A	NS-024 BOARD, COMPLETE
507	4-282-328-01	HOLDER, NS BUTTON
508	4-282-266-01	BUTTON, NS (Note 2)
509	1-883-156-11	FP-1361 FLEXIBLE BOARD
510	A-1825-464-A	AR-012 BOARD, COMPLETE
511	4-282-326-01	HOLDER, JK COVER (L)
512	4-282-372-01	SHEET METAL (R), GRIP BELT (Note 4)
513	4-282-315-01	HOLDER (R), GRIP BELT (Note 4)

Ref. No.	Part No.	Description
514	4-282-265-01	PACKING (R), GRIP BELT (Note 4)
515	1-883-171-11	FP-1376 FLEXIBLE BOARD (Note 1)
516	1-489-371-11	SWITCH BLOCK, CONTROL (PS91000)
517	A-1836-841-A	COVER ASSY (SERVICE), HP (Note 3)
518	4-282-313-01	CABINET (L)
519	4-282-407-01	BELT, GRIP
520	A-1836-840-A	COVER (L) ASSY (SERVICE), JK (Note 3)
521	A-1836-842-A	COVER ASSY (SERVICE), MIC (Note 3)
J1001	1-569-950-41	JACK (SMALL TYPE) (HEADPHONE)
J001	1-691-737-42	JACK (SMALL TYPE) (EXT MIC)
#12	3-080-204-21	SCREW, TAPPING, P2

HXR-NX70C/NX70E/NX70J/NX70N/NX70P/NX70U

Screw

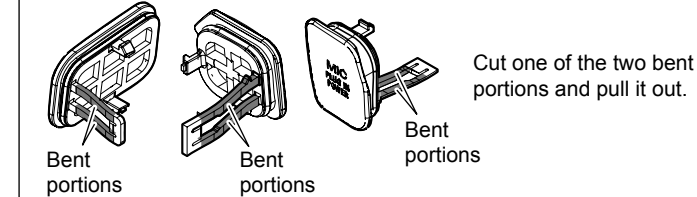


Note

Note 1: Refer to "Assembly-2: Installation Cautions of the FP-1362 Flexible Board and the FP-1376 Flexible Board."

Note 2: Refer to "Assembly-5: Installation Cautions of the NS Button."

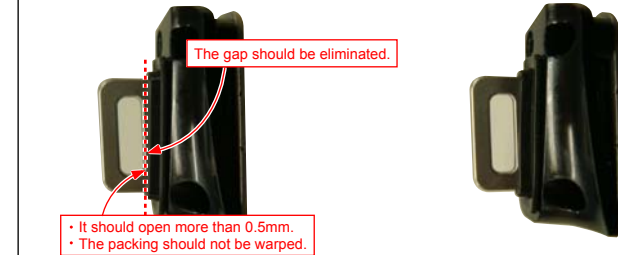
Note 3: Covers can be detached in the following way without disassembling the unit.



Note 4: When replacing this part, install it with caution. If it is not properly installed, it leads to the water leakage. Install the cover assembly (service, A-1836-842-A) and MC (Ref. 521) after installing parts of Ref. 501, 502 and 503.

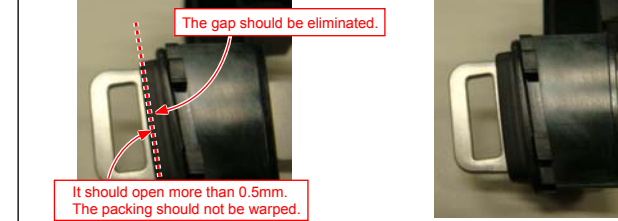
About Grip Belt Packing (F), Grip Belt Holder (F) and Grip Belt Sheet Metal (F)

OK The packing is correctly installed. (Not warped) **NG** The packing is not correctly installed. (Warped)



About Grip Belt Packing (R), Grip Belt Holder (R) and Grip Belt Sheet Metal (R)

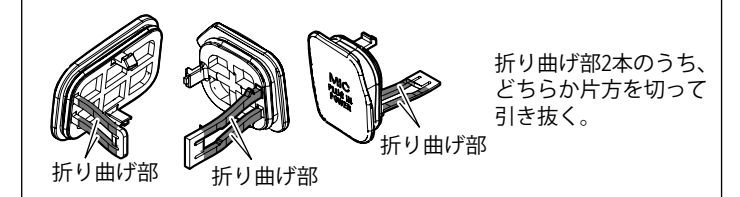
OK The packing is correctly installed. (Not warped) **NG** The packing is not correctly installed. (Warped)



Note 1: "Assembly-2: Installation Cautions of the FP-1362 Flexible Board and the FP-1376 Flexible Board." を参照してください。

Note 2: "Assembly-5: Installation Cautions of the NS Button." を参照してください。

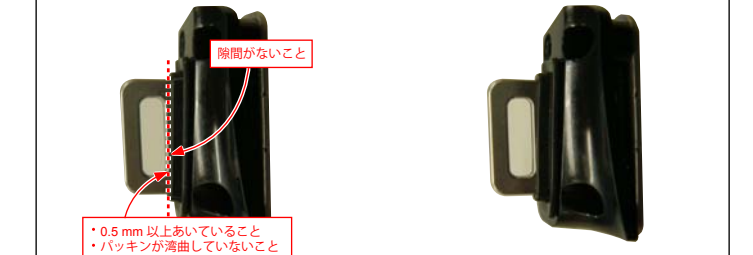
Note 3: 蓋類は下記の方法で、本体を分解すること無く、取り外すことが出来ます。



Note 4: この部品を交換するときは、十分に注意して取り付けてください。正しく取り付けられていないと、水漏れの原因になります。また A-1836-842-A COVER ASSY (SERVICE), MIC (Ref. 521) は、Ref. 501, 502, 503 の部品を取り付けた後に取り付けてください。

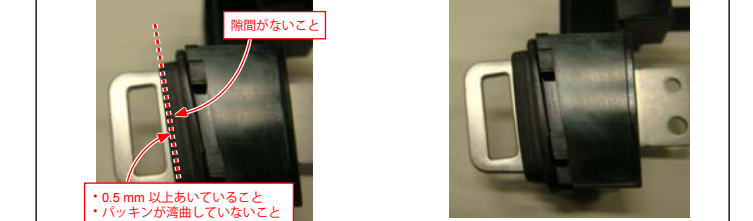
Grip Belt Packing (F), Grip Belt Holder (F), Grip Belt Sheet Metal (F) について

OK パッキンが正しく取り付けられている。(湾曲していない) **NG** パッキンが正しく取り付けられていない。(湾曲している)



Grip Belt Packing (R), Grip Belt Holder (R), Grip Belt Sheet Metal (R) について

OK パッキンが正しく取り付けられている。(湾曲していない) **NG** パッキンが正しく取り付けられていない。(湾曲している)



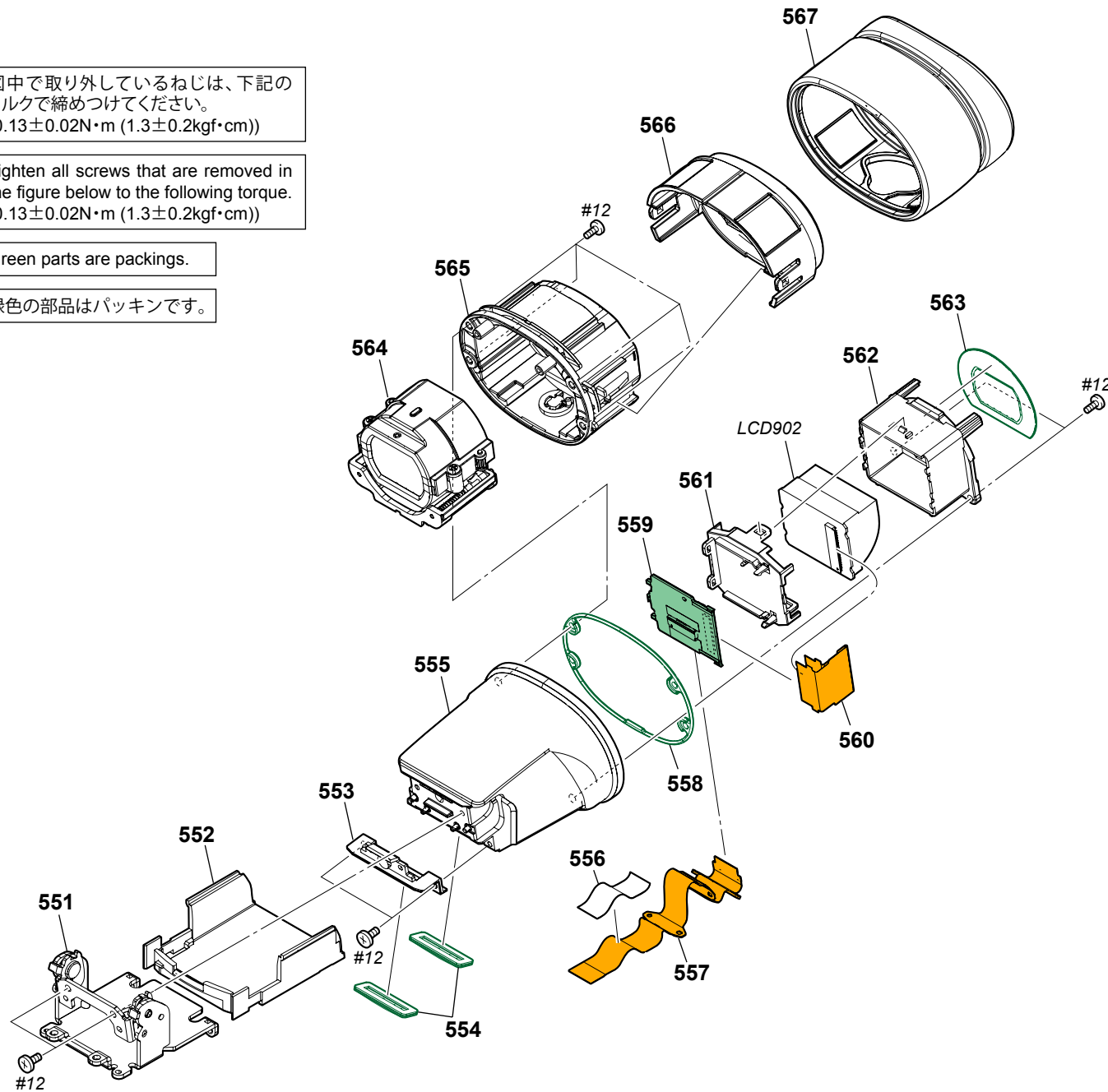
2-1-12. EVF SECTION

図中で取り外しているねじは、下記のトルクで締めつけてください。
($0.13 \pm 0.02 \text{N} \cdot \text{m}$ ($1.3 \pm 0.2 \text{kgf} \cdot \text{cm}$))

Tighten all screws that are removed in the figure below to the following torque.
($0.13 \pm 0.02 \text{N} \cdot \text{m}$ ($1.3 \pm 0.2 \text{kgf} \cdot \text{cm}$))

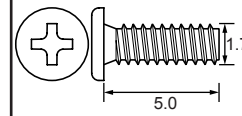
Green parts are packings.

緑色の部品はパッキンです。



Screw

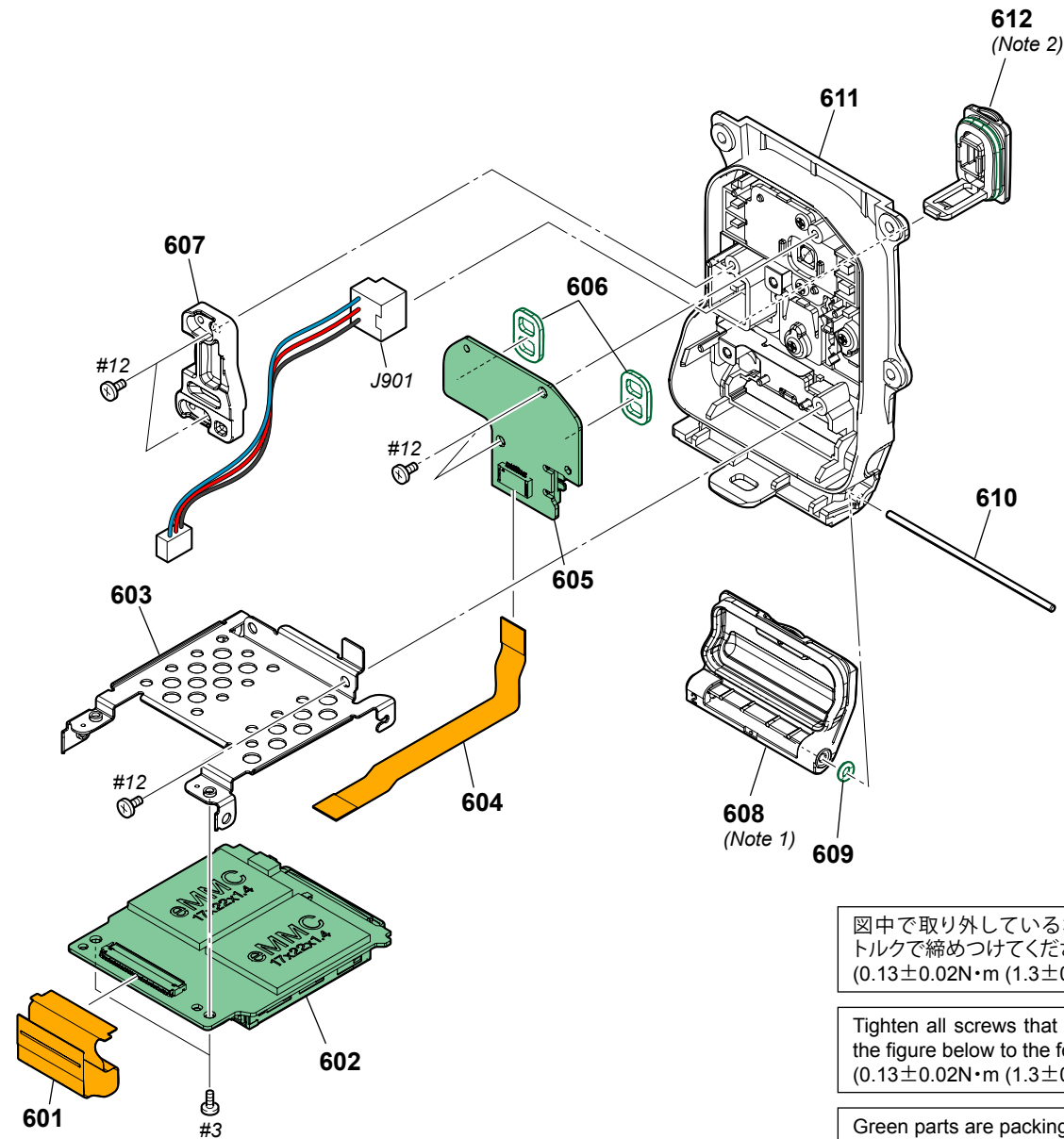
#12: M1.7 X 5.0 (Tapping)
(Black)
3-080-204-21



Ref. No.	Part No.	Description
551	X-2581-423-1	TILT ASSY, VF
552	4-282-286-01	CABINET, VF HINGE (LOWER)
553	4-282-280-01	RETAINER (VF), VF FLEXIBLE
554	4-283-275-01	SHEET (V), VF WATERPROOF
555	4-282-277-01	CABINET, VF
556	4-283-286-01	SHEET (FP1379), COUNTERMEASURE
557	1-883-174-11	FP-1379 FLEXIBLE BOARD
558	4-282-259-01	PACKING, VF CABINET
559	A-1825-460-A	VF-182 BOARD, COMPLETE
560	1-873-733-11	FP-776 FLEXIBLE BOARD
561	4-282-279-01	COVER, VF PANEL CASE

Ref. No.	Part No.	Description
562	4-282-278-01	CASE, VF PANEL
563	4-119-303-01	COVER, EYE CUP CABINET LID
564	X-2320-861-2	LENS ASSY, VF
565	A-1833-641-A	CABINET ASSY (SERVICE), EYE CUP
566	4-282-284-01	COVER, VF WINDOW
567	4-282-285-01	EYE CUP (SMALL)
LCD902	1-802-560-31	LCD MODULE
#12	3-080-204-21	SCREW, TAPPING, P2

2-1-13. REAR SECTION



図中で取り外しているねじは、下記のトルクで締めつけてください。
(0.13±0.02N・m (1.3±0.2kgf・cm))

Tighten all screws that are removed in the figure below to the following torque.
(0.13±0.02N・m (1.3±0.2kgf・cm))

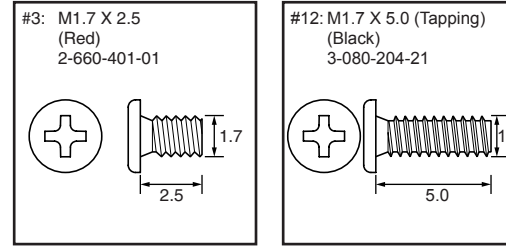
Green parts are packings.

緑色の部品はパッキンです。

Ref. No.	Part No.	Description
601	1-883-167-11	FP-1372 FLEXIBLE BOARD
602	A-1825-475-A	MS-459 BOARD, COMPLETE
603	4-282-383-01	FRAME, MS PC BOARD
604	1-838-968-11	CABLE, FLEXIBLE FLAT (FFC-262)
605	A-1825-466-A	RE-045 BOARD, COMPLETE
606	4-283-266-01	SHEET (REAR), INTERCEPTION
607	4-282-318-01	RETAINER, DCIN
608	4-282-234-01	LID, MS (Note 1)
609	4-282-257-01	O RING (MS LID)

Ref. No.	Part No.	Description
610	4-282-418-01	SHAFT (MS LID)
611	X-2581-419-1	CABINET (REAR) ASSY
612	A-1836-839-A	COVER ASSY (SERVICE), DCIN (Note 2)
△ J901	1-821-769-21	JACK, DC
#3	2-660-401-01	SCREW (M1.7), NEW TRU-STAR, P2
#12	3-080-204-21	SCREW, TAPPING, P2

Screw

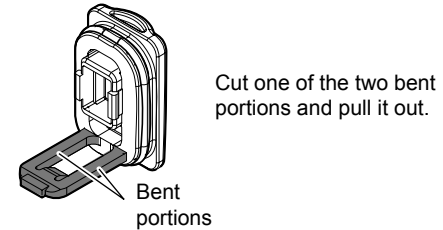


Note

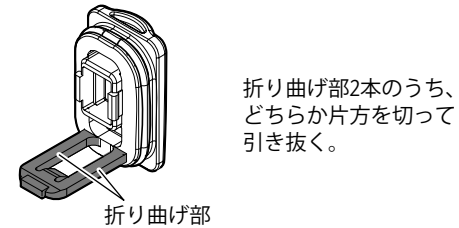
Note 1: The Packing are not supplied independently.
This is included in the MS Lid (4-282-234-01).

Note 1: パッキンは単体では供給していません。
MS Lid (4-282-234-01) に含まれて供給されます。

Note 2: Covers can be detached in the following way
without disassembling the unit.

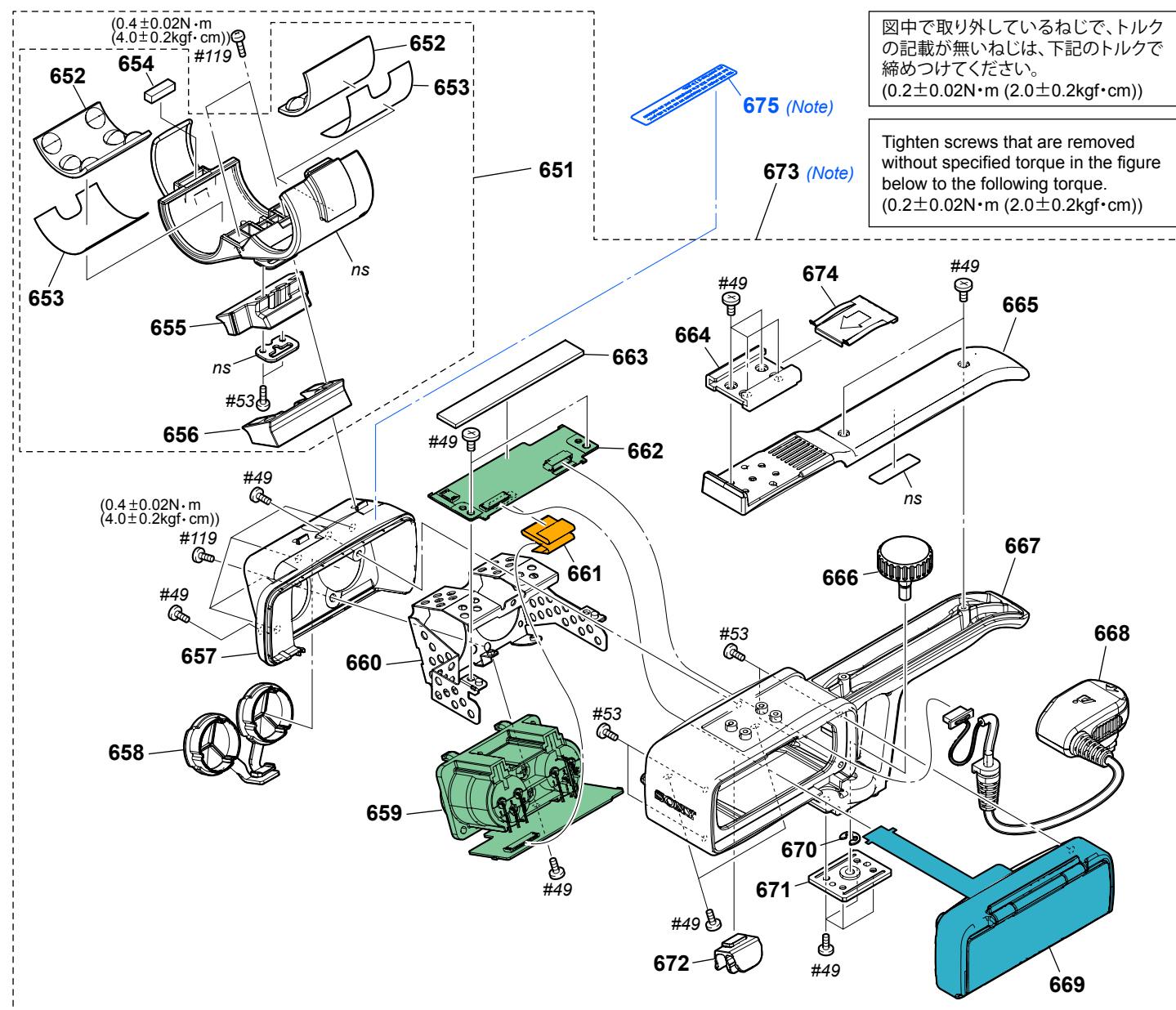


Note 2: 蓋類は下記の方法で、本体を分解すること無く、
取り外すことができます。



2-1-14. XLR SECTION

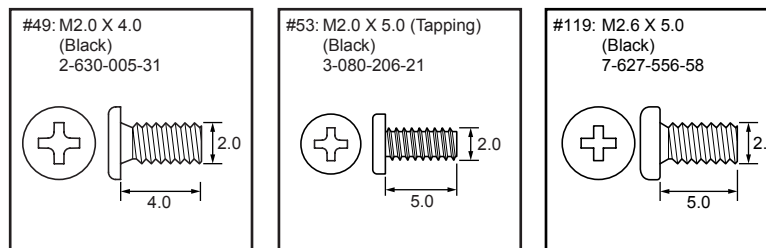
ns : not supplied



図中で取り外しているねじで、トルクの記載が無いねじは、下記のトルクで締めつけてください。
(0.2±0.02N・m (2.0±0.2kgf・cm))

Tighten screws that are removed without specified torque in the figure below to the following torque.
(0.2±0.02N・m (2.0±0.2kgf・cm))

Screw



Note

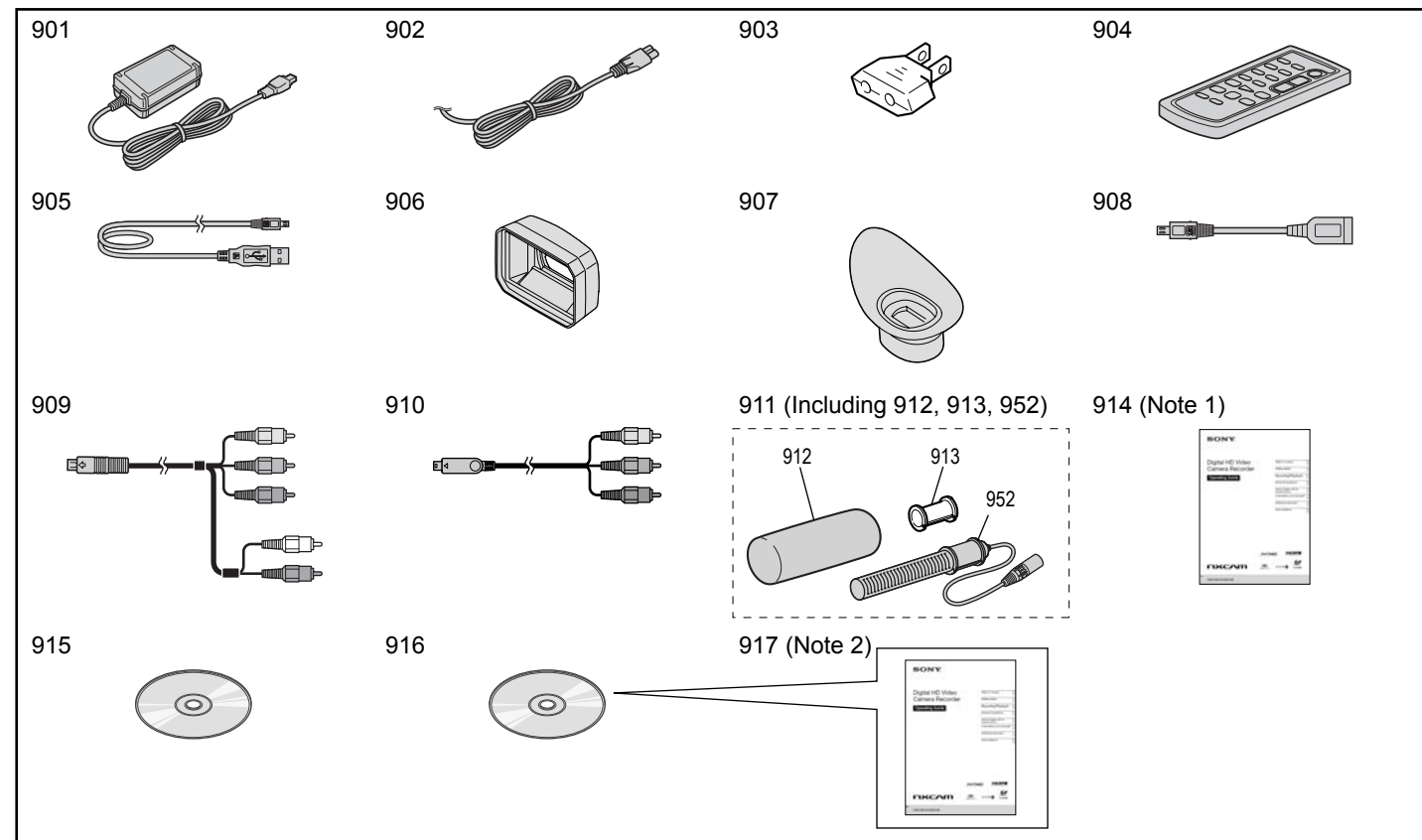
Note: XLR LABEL is not included in XLR UNIT BLOCK ASSY. When the XLR UNIT BLOCK ASSY has been replaced, attach the XLR LABEL of the relevant model.

Note: XLR UNIT BLOCK ASSY には XLR LABEL が含まれていません。XLR UNIT BLOCK ASSY を交換した場合は、該当する機種 of XLR LABEL を貼り付けること。

Ref. No.	Part No.	Description
651	X-2342-570-1	HOLDER (93000) ASSY.MICROPHONE
652	3-284-080-01	RUBBER, MICROPHONE
653	3-284-081-11	SHEET, RUBBER ADHESIVE
654	3-284-621-11	CUSHION, MICROPHONE HOLDER
655	4-119-861-01	RUBBER (93000), HOLDER
656	3-284-075-02	COVER, MICROPHONE HOLDER RUBBER
657	4-282-420-01	COVER, XLR
658	4-165-285-01	COVER, XLR RUBBER
659	A-1825-473-A	XL-013 BOARD, COMPLETE
660	4-282-421-01	FRAME, XLR
661	1-834-244-11	FLEXIBLE FLAT CABLE (FFC-116)
662	A-1825-472-A	HN-003 BOARD, COMPLETE
663	4-283-290-01	SHEET (HN), ABSORBING
664	3-069-286-03	SHOE, ACCESSORY
665	4-282-419-01	CABINET (UPPER), HANDLE

Ref. No.	Part No.	Description
666	X-2581-422-1	KNOB (91000) ASSY, XL
667	X-2581-426-1	HANDLE (91000) ASSY
668	1-838-727-11	CABLE, ENCAPSULATED
669	1-489-370-11	SWITCH BLOCK, CONTROL (AU91000)
670	7-624-106-04	STOP RING 3.0, TYPE -E
671	3-077-768-11	XL SHOE PLATE
672	2-892-095-01	CLAMP, CABLE
673	A-1825-588-A	XLR UNIT BLOCK ASSY (Note)
674	3-288-615-02	SPRING, SHOE
675	4-284-458-01	LABEL, XLR (NX70J) (Note)
675	4-284-459-01	LABEL, XLR (NX70U) (Note)
675	4-284-460-01	LABEL, XLR (NX70E/NX70N/NX70P) (Note)
675	4-284-461-01	LABEL, XLR (NX70C) (Note)
#49	2-630-005-31	SCREW (M2), NEW TRUSTER, P2
#53	3-080-206-21	SCREW, TAPPING, P2
#119	7-627-556-58	SCREW +P 2.6X5

• EXCEPT J MODEL ACCESSORIES



Ref. No.	Part No.	Description
901	△ 1-487-150-92	AC Adaptor (AC-L200C/L200D) * Compatible in L200C and L200D.
902	△ 1-834-121-31	Power cord (mains lead) (NX70C)
902	△ 1-834-482-21	Power cord (mains lead) (NX70E / NX70N / NX70P)
902	△ 1-834-484-31	Power cord (mains lead) (NX70U)
902	△ 1-836-251-11	Power cord (mains lead) (NX70J)
903	△ 1-569-008-12	Conversion (2P) Adaptor (NX70N)
904	1-487-540-11	Wireless Remote Commander (RMT-845)
905	1-835-993-31	USB cable
906	X-2581-420-1	Lens hood with lens cover
907	X-2342-702-1	Large eye cup
908	1-837-533-11	USB Adaptor cable
909	1-834-646-11	Component A/V cable
910	1-838-205-11	A/V connecting cable
911	1-542-749-12	Wind Screen, Microphone (ECM-XM1)
912	3-048-481-01	Wind Screen
913	* 3-179-882-01	Microphone Spacer
914	4-273-939-01	Operating Guide (JAPANESE) (Note 1)
914	4-273-939-11	Operating Guide (ENGLISH) (NX70N / NX70U) (Note 1)
914	4-273-940-11	Operating Guide (ENGLISH) (NX70E / NX70P) (Note 1)
914	4-273-940-21	Operating Guide (SIMPLIFIED CHINESE) (Note 1)
915	4-273-936-01	CD-ROM "Content Management Utility"

Ref. No.	Part No.	Description
916	4-273-937-01	CD-ROM "Manuals for Digital HD Video Camera Recorder"
917	4-273-939-01	Operating Guide (JAPANESE) (Note 2)
917	4-273-939-11	Operating Guide (ENGLISH) (NX70N / NX70U) (Note 2)
917	* 4-273-939-21	Operating Guide (PDF) (FRENCH) (Note 2)
917	4-273-940-11	Operating Guide (ENGLISH) (NX70E / NX70P) (Note 2)
917	4-273-940-21	Operating Guide (SIMPLIFIED CHINESE) (Note 2)
917	* 4-273-940-31	Operating Guide (PDF) (FRENCH) (Note 2)
917	* 4-273-940-51	Operating Guide (PDF) (SPANISH) (Note 2)
917	* 4-273-940-51	Operating Guide (PDF) (ITALIAN) (Note 2)
917	4-273-940-61	Operating Guide (PDF) (GERMAN) (Note 2)

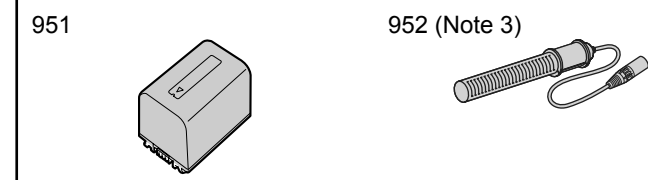
(Note 1)

(Only for destination Japanese model)
日本語、英語、韓国語、中国語のみ部品供給可能です。

(Note 2)

The CD-ROM supplied contains all of language version of the Operating Instructions(PDF) for printing.
・ The printed matter is not supplied. If required, please order it with the part number below.

This item is supplied with the unit as an accessory, but is not prepared as a service part.

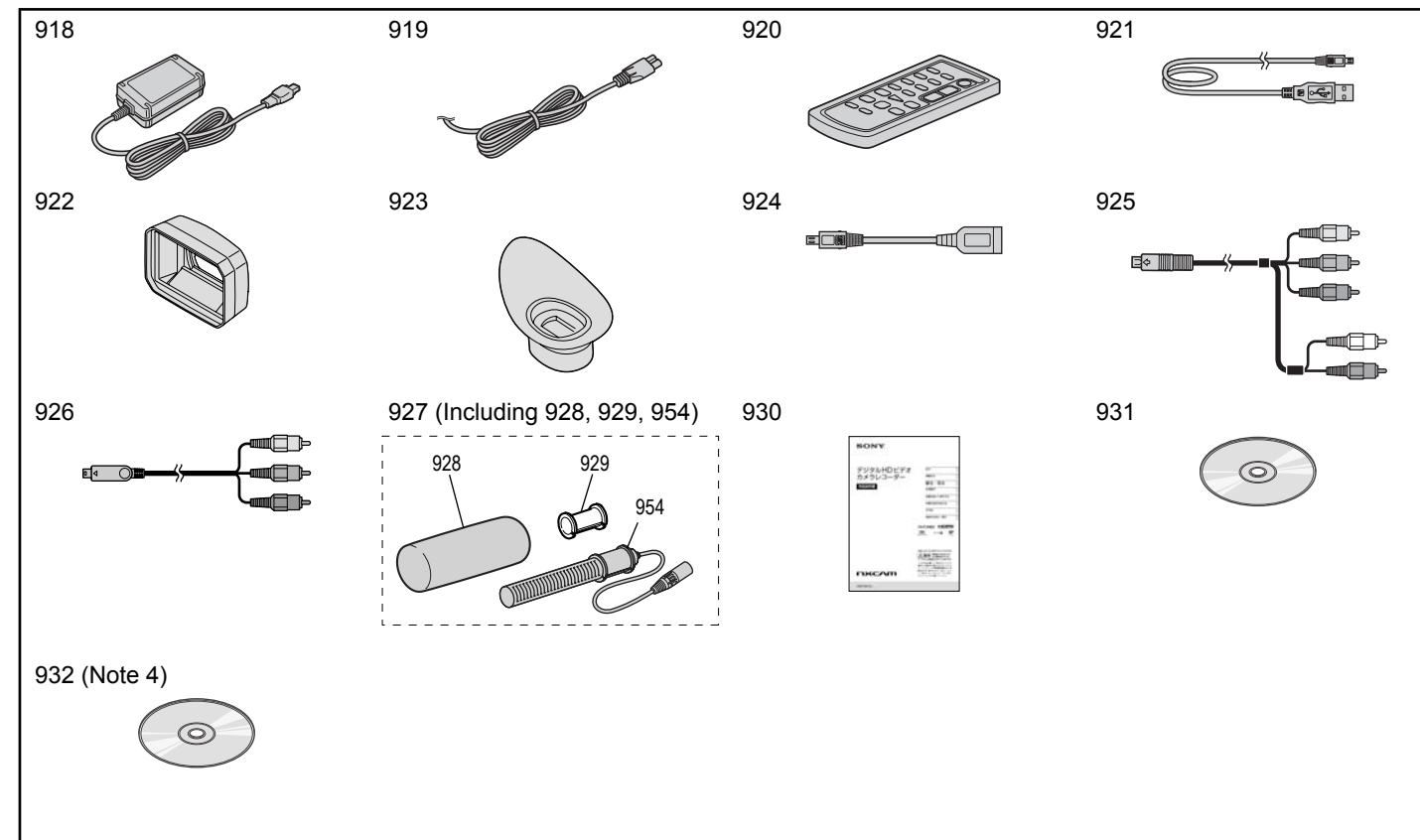


Ref. No.	Part No.	Description
951	△ (Not supplied)	Rechargeable battery pack (NP-FV70)
952	(Not supplied)	Microphone (Note 3)

(Note 3)

Microphone is not supplied, but this is included in Wind Screen, Microphone (ECM-XM1).

• J MODEL 付属品



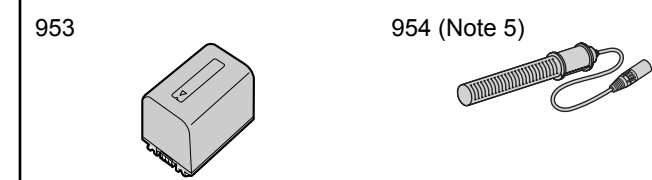
Ref. No.	Part No.	Description
918	△ 1-487-150-92	ACアダプター (AC-L200C/L200D) * L200CとL200Dには互換性があります。
919	△ 1-836-251-11	電源コード
920	1-487-540-11	ワイヤレスリモコン (RMT-845)
921	1-835-993-31	USBケーブル
922	X-2581-420-1	レンズカバー付きフード
923	X-2342-702-1	大型アイカップ
924	1-837-533-11	USBアダプターケーブル
925	1-834-646-11	コンポーネントA/Vケーブル
926	1-838-205-11	A/V接続ケーブル
927	1-542-749-12	ウインドスクリーン, マイク (ECM-XM1)
928	3-048-481-01	ウインドスクリーン
929	* 3-179-882-01	マイクスペーサー

Ref. No.	Part No.	Description
930	4-273-939-01	取扱説明書 (日本語) (Note 1)
931	4-273-936-01	CD-ROM "Content Management Utility"
932	4-273-937-01	CD-ROM "Manuals for Digital HD Video Camera Recorder" (Note4)

(Note 4)

日本国内については印刷での部品供給は行っていません。

当商品はアクセサリとして同梱されておりますがサービス用補修部品としては準備していません。



Ref. No.	Part No.	Description
953	△ (Not supplied)	リチャージャブルバッテリーパック (NP-FV70)
954	(Not supplied)	マイク (Note 5)

(Note 5)

マイクは単体での供給をしていませんが、ウインドスクリーン、マイク(ECM-XM1)に含まれています。