

NEX-FS700/FS700K/FS700C/FS700CK/FS700E/FS700EK/ FS700J/FS700JK/FS700R/FS700RH/FS700U/FS700UK

SERVICE MANUAL

Ver. 1.0 2013.09



Photo: NEX-FS700K

*US Model
Canadian Model
AEP Model
E Model
Chinese Model
Japanese Model*

SERVICE NOTE (Check the following note before the service.)

– ENGLISH –

- 1-1. POWER SUPPLY DURING REPAIRS
- 1-2. PRECAUTION ON REPLACING THE VC-650 BOARD
- 1-3. ADDITION OF DESTINATION DATA FILE
- 1-4. PRECAUTION ON REPLACING THE MB N PLATE AND NDF UNIT
- 1-5. SELF-DIAGNOSIS FUNCTION
- 1-6. METHOD OF COPING WITH LENS ERROR

– JAPANESE –

- 1-1. 修理時の電源供給について
- 1-2. VC-650基板交換時の注意
- 1-3. Destination Dataファイルの追加について
- 1-4. MB NプレートとNDFユニット交換時の注意
- 1-5. 自己診断機能
- 1-6. レンズエラーの対処方法

Note: This manual contains information of the NEX-FS700/FS700K/FS700C/FS700CK/FS700E/FS700EK/FS700J/FS700JK/FS700U/FS700UK Service Manual (9-834-674-[][]) and additional NEX-FS700R/FS700RH information.

Note: このマニュアルはNEX-FS700/FS700K/FS700C/FS700CK/FS700E/FS700EK/FS700J/FS700JK/FS700U/FS700UKのサービスマニュアル(9-834-674-[][])にNEX-FS700R/FS700RHの情報を追加したものです。

[About the service of this model]

NEX-FS700K/FS700CK/FS700EK/FS700JK/FS700RH/FS700UK are commodity that packed the Interchangeable Lens Digital HD Video Camera Recorder and Interchangeable Lenses. Refer to each following service manual the Interchangeable Lens kit, when you repair.

Model	Lens	Service Manual of Lens
NEX-FS700K/FS700CK/FS700EK/FS700JK/FS700UK	SEL18200 (E 18-200mm F3.5-6.3 OSS)	9-834-507-1[]
NEX-FS700RH	SELP18200 (E PZ 18-200mm F3.5-6.3 OSS)	9-834-703-1[]

INTERCHANGEABLE LENS DIGITAL HD VIDEO CAMERA RECORDER

The components identified by mark Δ or dotted line with mark Δ are critical for safety. Replace only with part number specified.	Les composants identifiés par une marque Δ sont critiques pour la sécurité. Ne les remplacer que par une pièce portant le numéro spécifié.
--	---



NEX-FS700/FS700K/FS700C/FS700CK/FS700E/FS700EK/FS700J/FS700JK/FS700R/FS700RH/FS700U/FS700UK

9-834-754-11

Sony Corporation

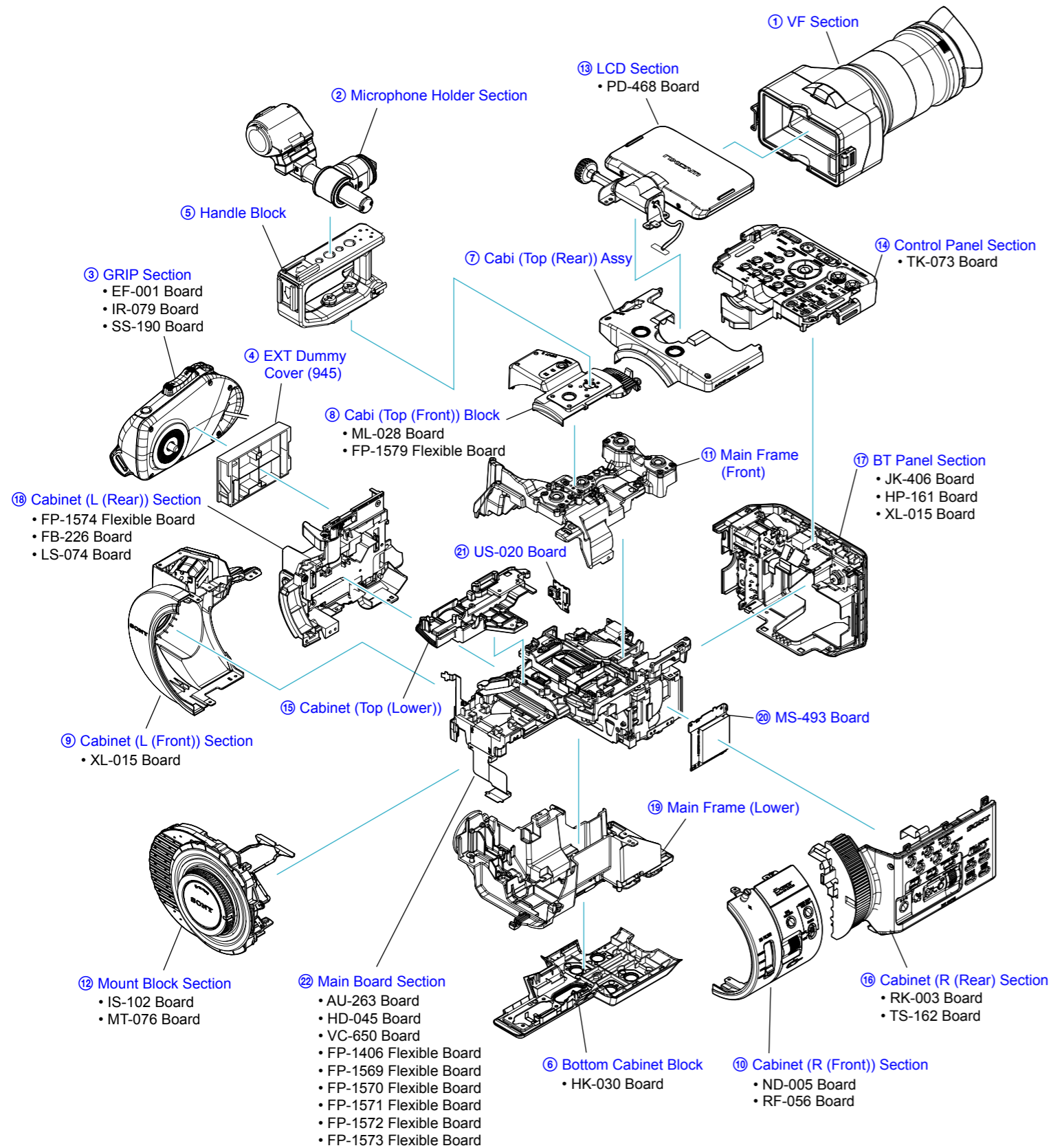
Revision History

Ver.	Date	History	Contents	S.M. Rev. issued
1.0	2013.09	Official Release	—	—

2. REPAIR PARTS LIST

IDENTIFYING PARTS

Follow the disassembly in the numerical order given.



(ENGLISH)

NOTE:

- -XX, -X mean standardized parts, so they may have some differences from the original one.
- Items marked "*" are not stocked since they are seldom required for routine service. Some delay should be anticipated when ordering these items.
- The mechanical parts with no reference number in the exploded views are not supplied.
- Due to standardization, replacements in the parts list may be different from the parts specified in the diagrams or the components used on the set.
- CAPACITORS:
uF: μ F
uH: μ H
- COILS
- RESISTORS
All resistors are in ohms.
METAL: metal-film resistor
METAL OXIDE: Metal Oxide-film resistor
F: nonflammable
- SEMICONDUCTORS
In each case, u: μ , for example:
uA...: μ A..., uPA..., μ PA...,
uPB..., μ PB..., μ PC..., μ PC...,
uPD..., μ PD...

(JAPANESE)

【使用上の注意】

- ここに記載されている部品は、補修用部品であるため、回路図及びセットに付いている部品と異なる場合があります。
- -XX, -Xは標準化部品のため、セットに付いている部品と異なる場合があります。
- *印の部品は常備在庫しておりません。
- コンデンサの単位でuFは μ Fを示します。
- 抵抗の単位 Ω は省略してあります。
- 金 被: 金属被膜抵抗。
サンキン: 酸化金属被膜抵抗。
- インダクタの単位でuHは μ Hを示します。
- 半導体の名称でuA..., uPA..., uPB..., uPC..., uPD...等はそれぞれ μ A..., μ PA..., μ PB..., μ PC..., μ PD...を示します。

• Abbreviation

- CH : Chinese model
- CND : Canadian model
- J : Japanese model

The components identified by mark \triangle or dotted line with mark \triangle are critical for safety. Replace only with part number specified.

Les composants identifiés par une marque \triangle sont critiques pour la sécurité. Ne les remplacer que par une pièce portant le numéro spécifié.

CAUTION

Danger of explosion if battery is incorrectly replaced. Replace only with the same or equivalent type. Dispose of used batteries according to the instructions.

注意

如果电池更换不当会有爆炸危险。只能用同样类型或等效类型的电池来更换。务必按照说明处置用完的电池。

• Color Indication of Appearance Parts

Example:
(SILVER): Cabinet's Color
(Silver) : Parts Color

\triangle 印の部品、または \triangle 印付の点線で囲まれた部品は、安全性を維持するために、重要な部品です。従って交換時は、必ず指定の部品を使用してください。

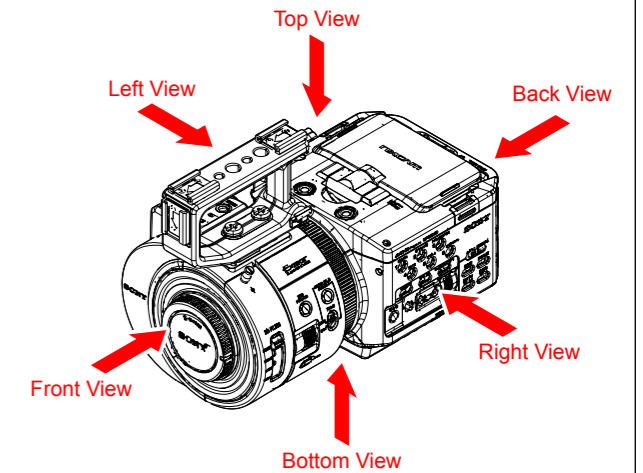
注意

電池の交換は、正しく行わないと破裂する恐れがあります。電池を交換する場合には必ず同じ型名の電池又は同等品と交換してください。使用済み電池は、取扱指示に従って処分してください。

• 外装部品色表示

例:
(SILVER): セットの色を表す。
(Silver) : 部品の色を表す。

View Position



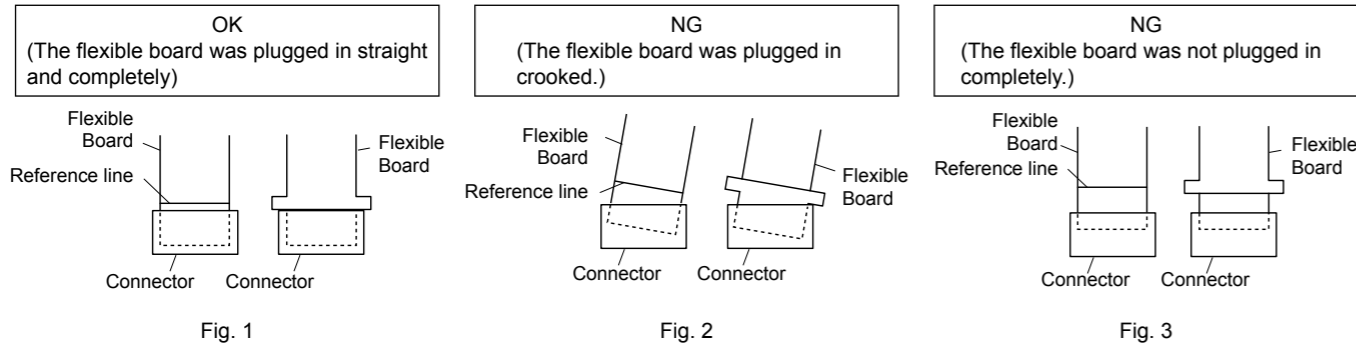
Link

ACCESSORIES

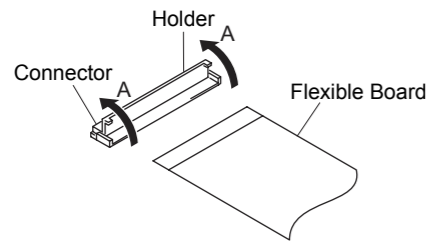
ASSEMBLY

OPERATION NOTES

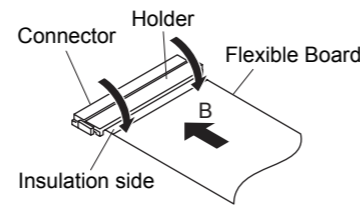
Make sure that the conductive side of a flexible board does not have any stain or foreign materials.
Do not touch the conductive side of flexible boards with bare hands.
Plug in a flexible board straight, fully into the connector until it reaches the end inside. (Fig. 1, Fig. 2, Fig. 3)



When opening the connector's holder in direction A, do not open it with excessive force.

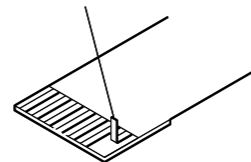


When closing the connector's holder, press it evenly while pushing a flexible board in direction B.



- Make sure that the flat cable and flexible board are not cracked or bent at the contact end.
- Do not apply excessive force to the gilded flexible board.

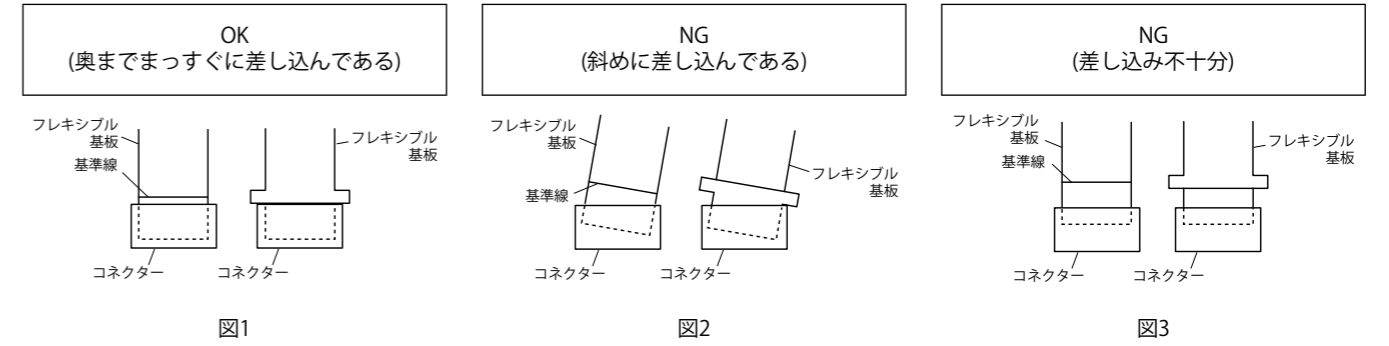
Cut and remove the part of gilt which comes off at the point. (Be careful or some pieces of gilt may be left inside)



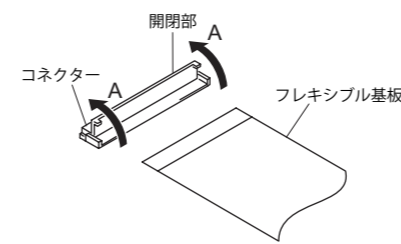
- The proper way to disconnect a connector is to grab the connector instead of the wires. If you pull on the wires, they might be broken.
- The proper way to connect a connector is to grab the connector instead of the wires. If you push on the wires, they might be broken.

作業時の注意

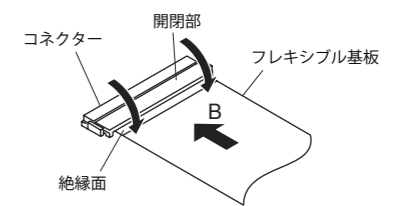
フレキシブル基板の導電面に汚れやごみがないことを確認してください。
フレキシブル基板の導電面を素手で触れないようにしてください。
フレキシブル基板は、コネクタの奥までまっすぐに差し込んでください。(図1, 図2, 図3参照)



コネクタの開閉部を開ける際、A方向に開け過ぎないようにしてください。

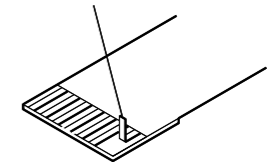


コネクタの開閉部を閉じる際、フレキシブル基板を矢印B方向に押しながら、開閉部を均一に押しってください。



- フラットケーブルおよびフレキシブル基板の端子面に欠け、折れ等がないことを確認してください。
- 金メッキされているフレキシブル基板には、強い負担をかけないでください。

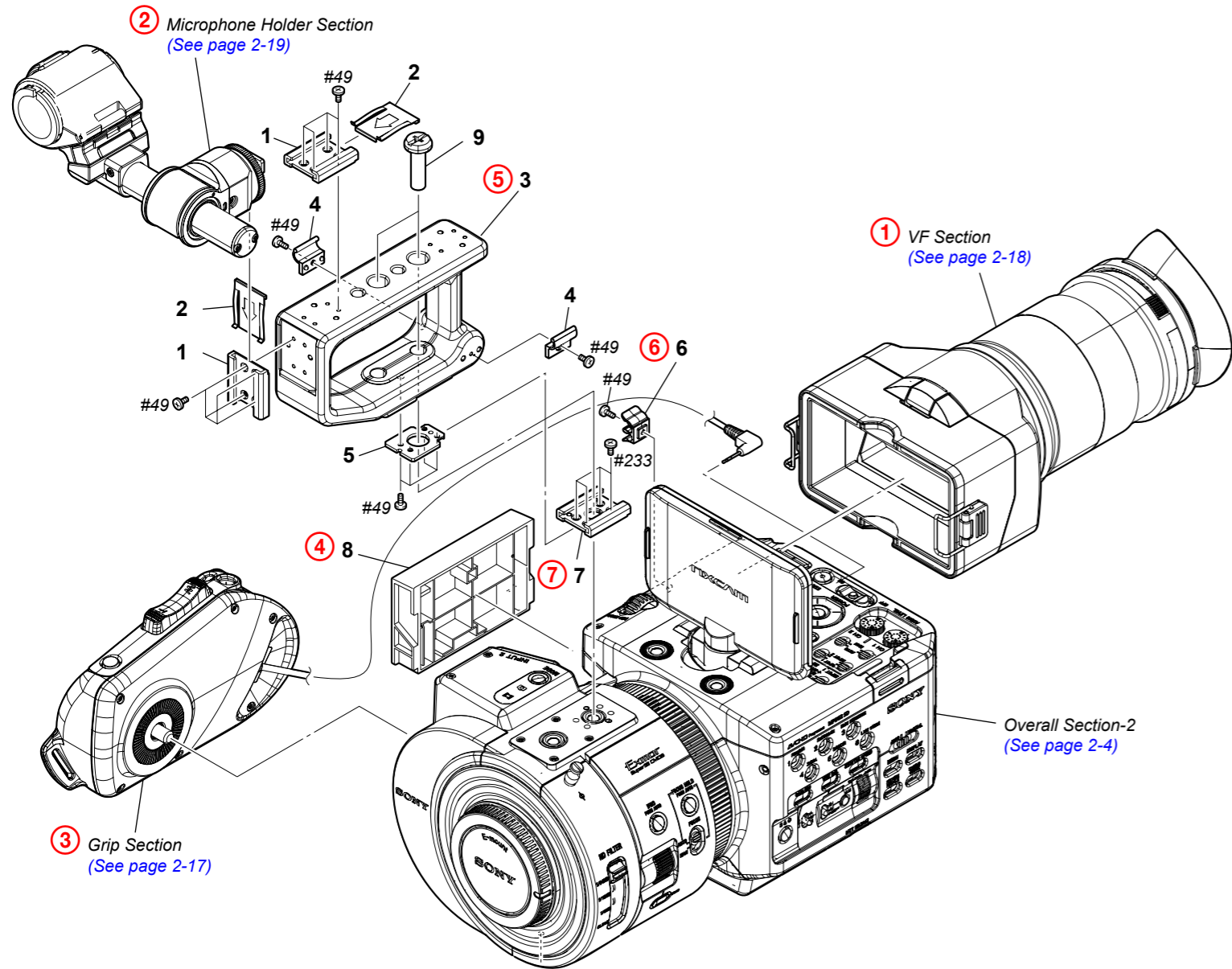
先端の剥がれたメッキ部はカットして除去してください。(メッキ破片がコネクタ内に残っている場合もあるので注意してください)



- コネクタを取り外す際に、線材部(極細)を持って引っ張ると断線する恐れがありますので、絶対に線材部(極細)を持って引っ張らないでください。
- 線材部(極細)を押さえながらコネクタを差し込むと、線材部(極細)が断線する恐れがありますので、絶対に線材部(極細)には負担をかけないでください。

2-1. EXPLODED VIEWS

2-1-1. OVERALL SECTION-1



Ref. No.	Part No.	Description
1	3-069-286-03	SHOE, ACCESSORY
2	3-288-615-02	SPRING, SHOE
3	4-425-263-01	HANDLE (960)
* 4	3-678-684-01	HOLDER, CABLE
5	4-284-205-01	SHEET METAL, HN SHOE

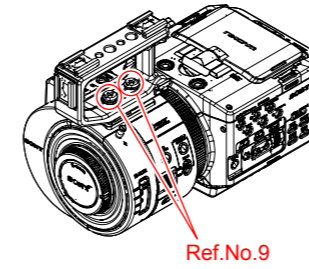
Ref. No.	Part No.	Description
6	4-284-137-01	CLAMP, CABLE
7	3-069-286-31	SHOE, ACCESSORY
* 8	4-284-136-01	COVER (945), EXT DUMMY
9	4-425-264-01	KNOB, HANDLE FIXED
#49	2-630-005-31	SCREW (M2), NEW TRUSTER, P2
#233	2-342-356-11	SCREW (M2 (ECO, EG))

NEX-FS700/FS700K/FS700C/FS700CK/FS700E/FS700EK/FS700J/FS700JK/FS700R/FS700RH/FS700U/FS700UK

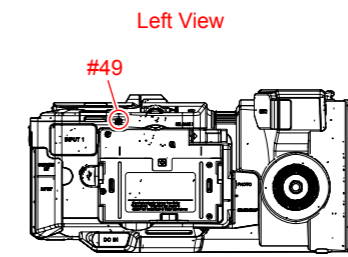
DISASSEMBLY

1. Remove in numerical order (1) to (7) in the left figure.

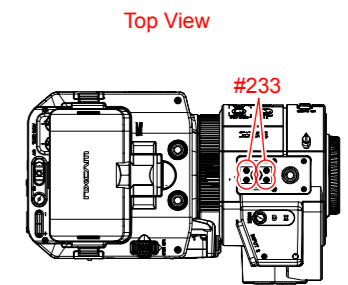
5 Ref. No. 9 X 2



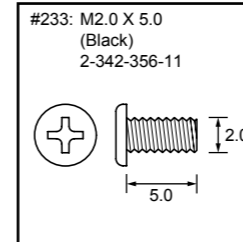
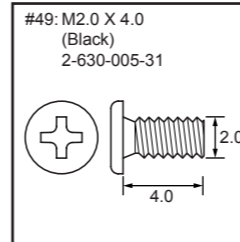
6 #49 X 1



7 #233 X 4

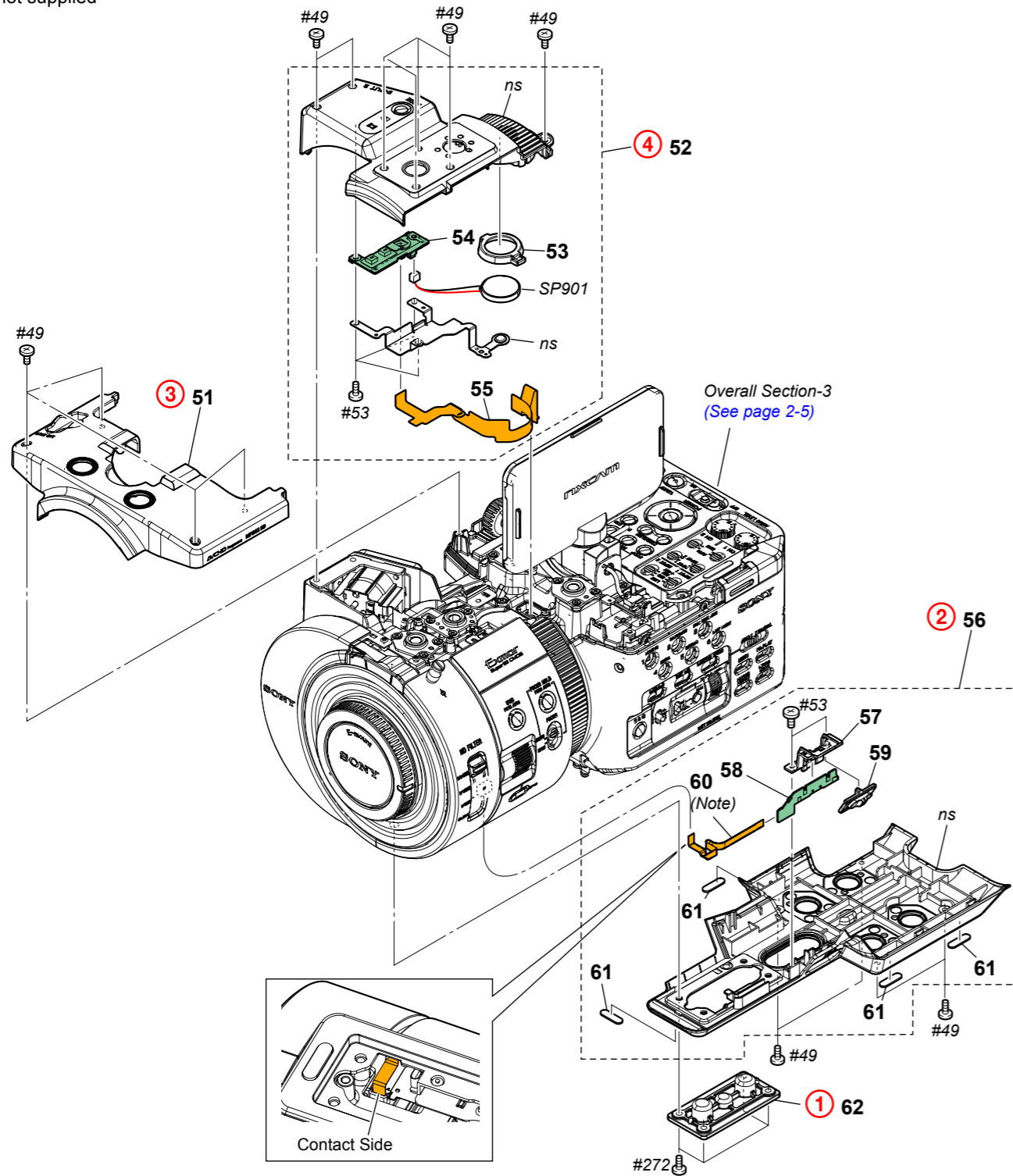


Screw



2-1-2. OVERALL SECTION-2

ns : not supplied



Ref. No.	Part No.	Description
51	X-2584-333-1	CAB (TOP (REAR)) (960) ASSY
52	A-1885-369-A	(TOP (FRONT)) BLOCK ASSY
53	2-178-550-01	HOLDER, SPEAKER
54	A-1885-288-A	ML-028 BOARD, COMPLETE
55	1-885-673-11	FP-1579 FLEXIBLE BOARD
56	A-1885-368-A	BOTTOM BLOCK ASSY, CABINET
57	4-425-295-01	BASE, HOLD SLIDE
58	A-1885-289-A	HK-030 BOARD, COMPLETE
59	4-425-299-01	KNOB, HOLD
60	1-846-030-11	CABLE, FLEXIBLE FLAT (FFC-1023) (Note)

Ref. No.	Part No.	Description
61	4-165-229-01	FOOT, RUBBER
62	3-288-392-11	WASHER (D), TRIPOD
SP901	1-858-706-11	LOUDSPEAKER (1.8CM)
#49	2-630-005-31	SCREW (M2), NEW TRUSTER, P2
#53	3-080-206-21	SCREW, TAPPING, P2
#272	7-627-556-78	SCREW, PRECISION +P 2.6X6 TYPE1

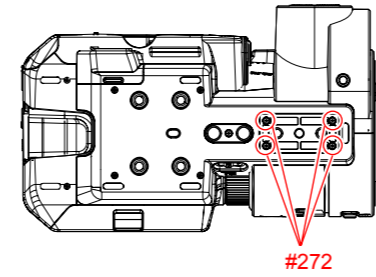
NEX-FS700/FS700K/FS700C/FS700CK/FS700E/FS700EK/FS700J/FS700JK/FS700R/FS700RH/FS700U/FS700UK

DISASSEMBLY

1. Remove in numerical order (1) to (4) in the left figure.

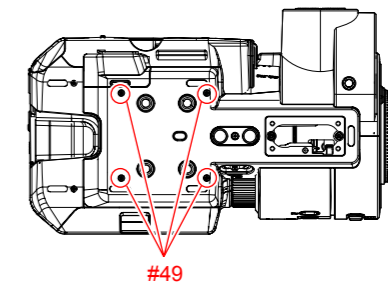
① #272 X 4

Bottom View

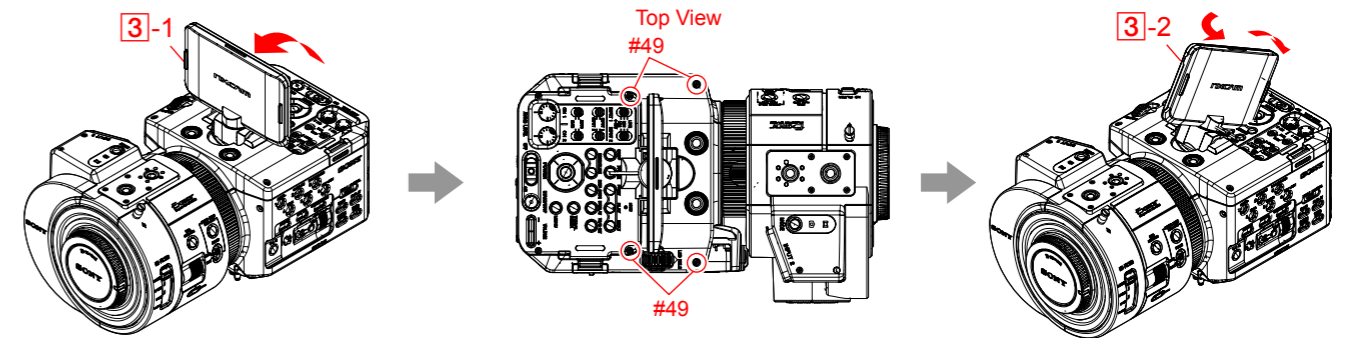


② #49 X 4

Bottom View

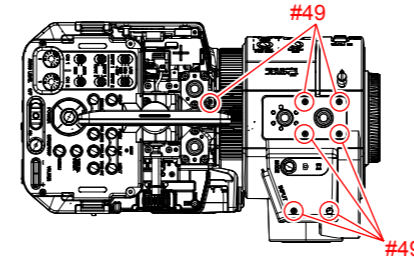


③ Open the LCD (3-1) → #49 X 4 → Rotate and Tilt LCD (3-2)



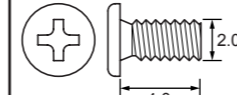
④ #49 X 7

Top View

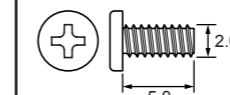


Screw

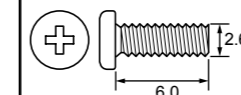
#49: M2.0 X 4.0
(Black)
2-630-005-31



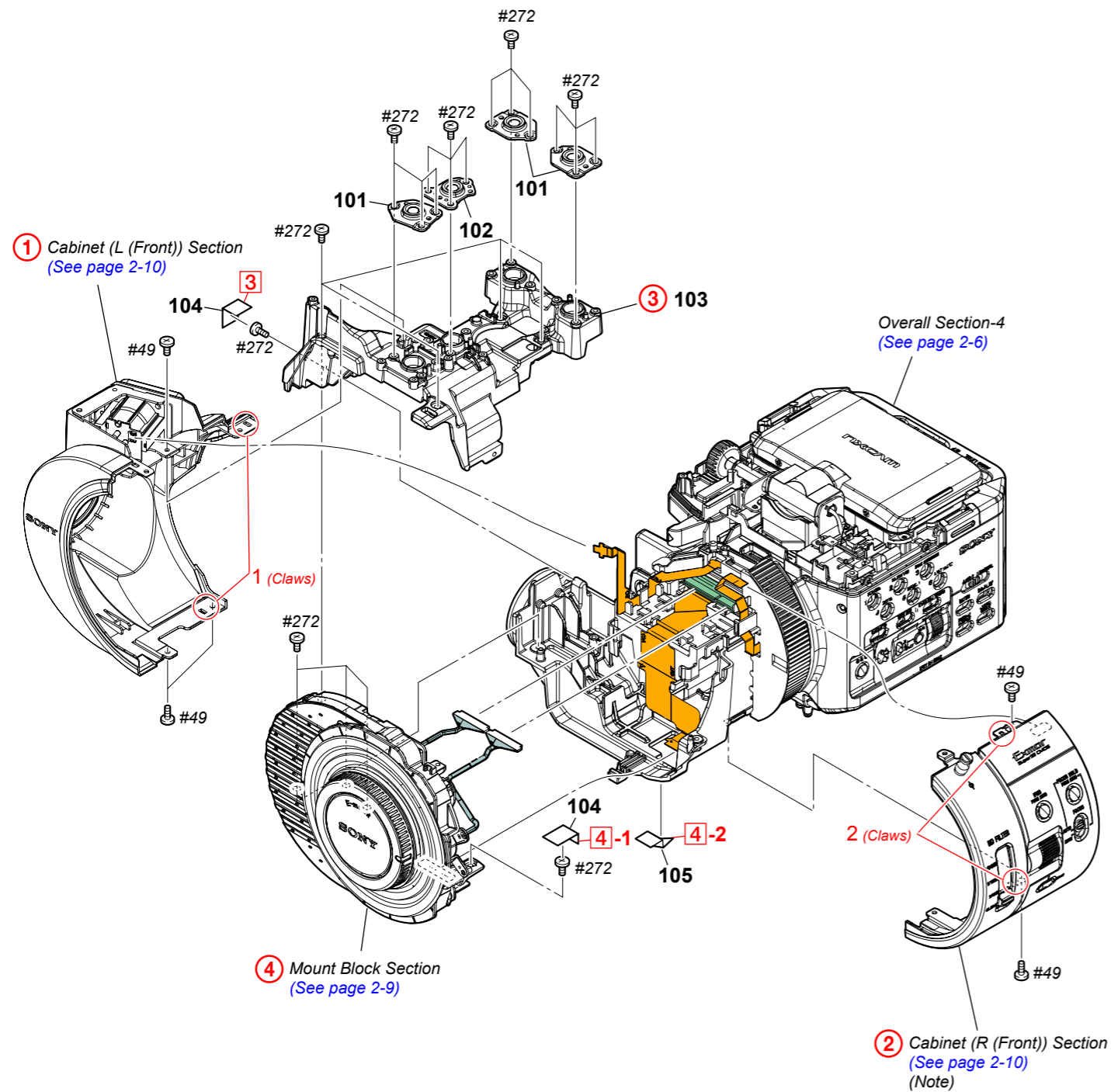
#53: M2.0 X 5.0 (Tapping)
(Black)
3-080-206-21



#272: M2.6 X 6.0
(Black)
7-627-556-78



2-1-3. OVERALL SECTION-3



Ref. No.	Part No.	Description
101	4-269-036-01	PLATE, TRIPOD
102	4-269-035-01	PLATE, SHOE TRIPOD
103	4-425-253-01	FRAME (FRONT), MAIN
104	2-590-635-01	TAPE (AS 1/2)
105	4-428-226-01	SHEET, MT RADIATION

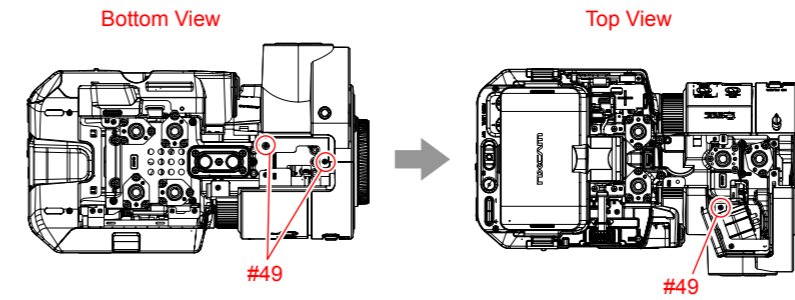
Ref. No.	Part No.	Description
#49	2-630-005-31	SCREW (M2), NEW TRUSTER, P2
#272	7-627-556-78	SCREW, PRECISION +P 2.6X6 TYPE1

NEX-FS700/FS700K/FS700C/FS700CK/FS700E/FS700EK/FS700J/FS700JK/FS700R/FS700RH/FS700U/FS700UK

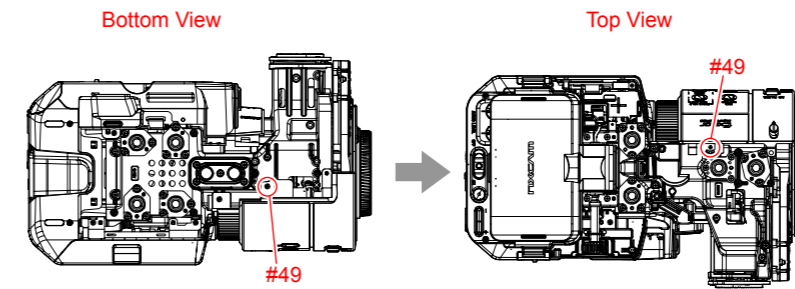
DISASSEMBLY

1. Remove in numerical order (1) to (4) in the left figure.

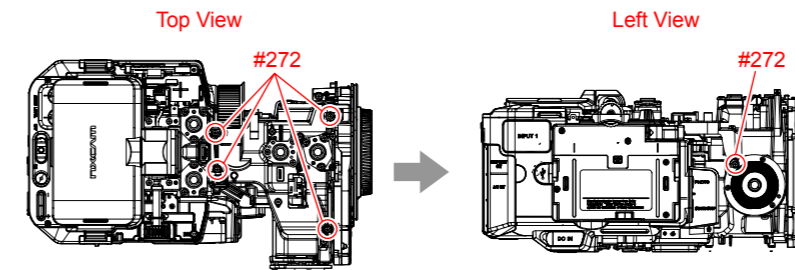
① #49 X 3



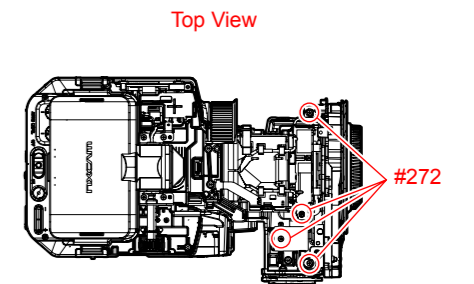
② #49 X 2



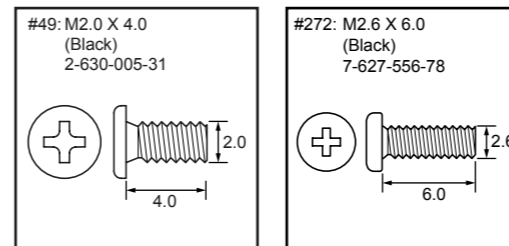
③ Remove Tape (AS 1/2) (3) → #272 X 5



④ Remove Tape (AS 1/2) (4-1) → Remove MT Radiation Sheet (4-2) → #272 X 4



Screw

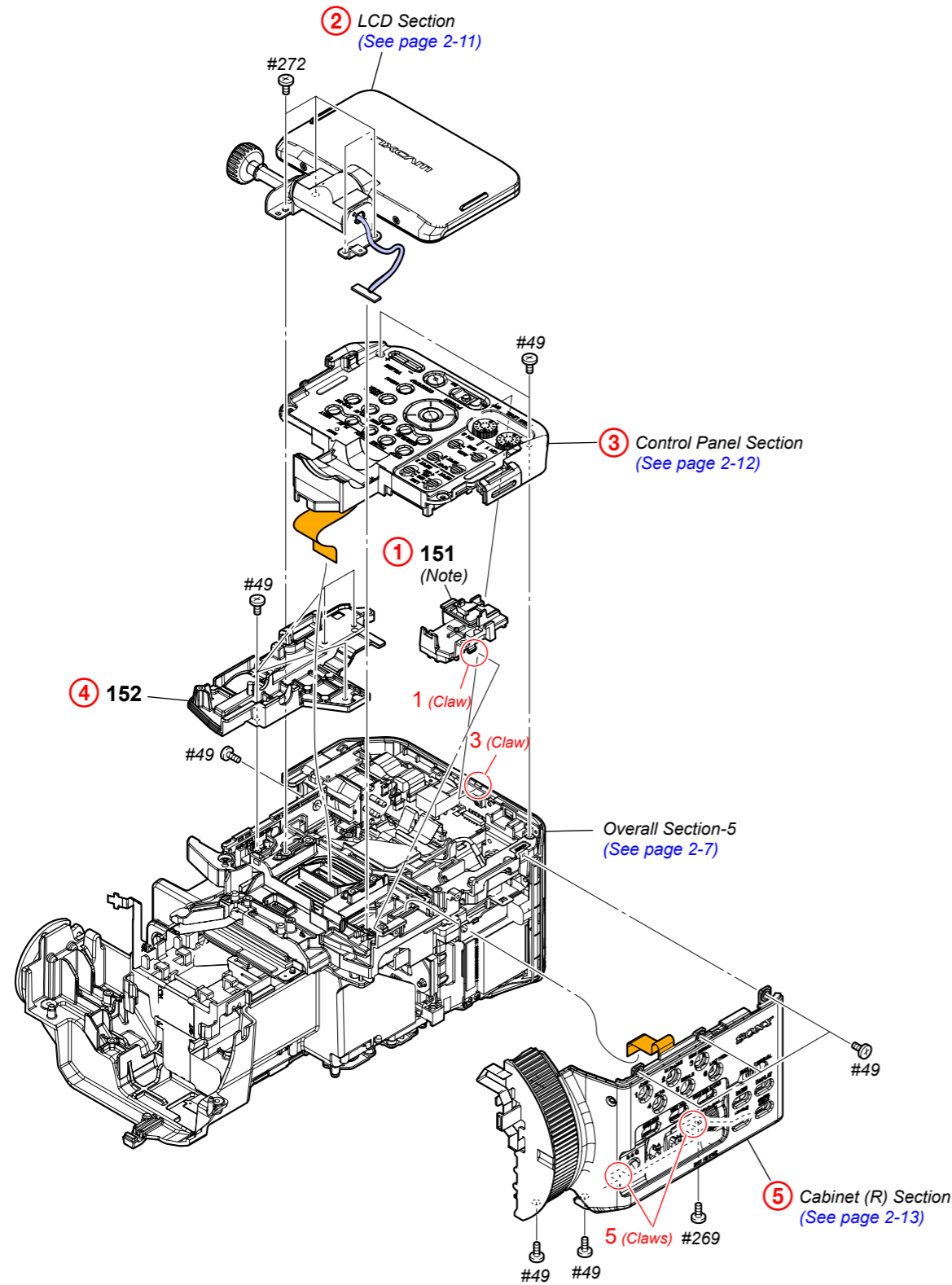


Note

Note: Refer to "Assembly-1: Installation Cautions of the Cabinet (R (Front)) Section."

Note: "Assembly-1: Installation Cautions of the Cabinet (R (Front)) Section."を参照してください。

2-1-4. OVERALL SECTION-4



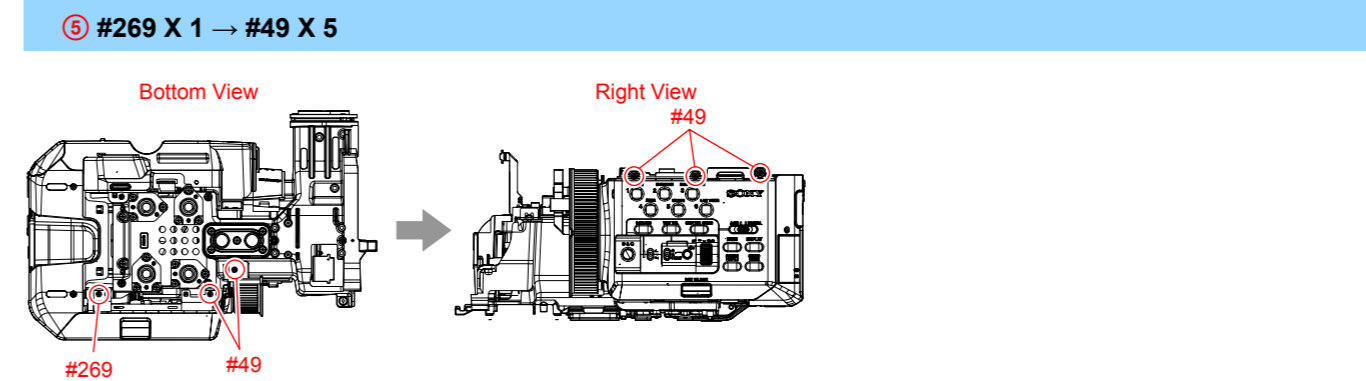
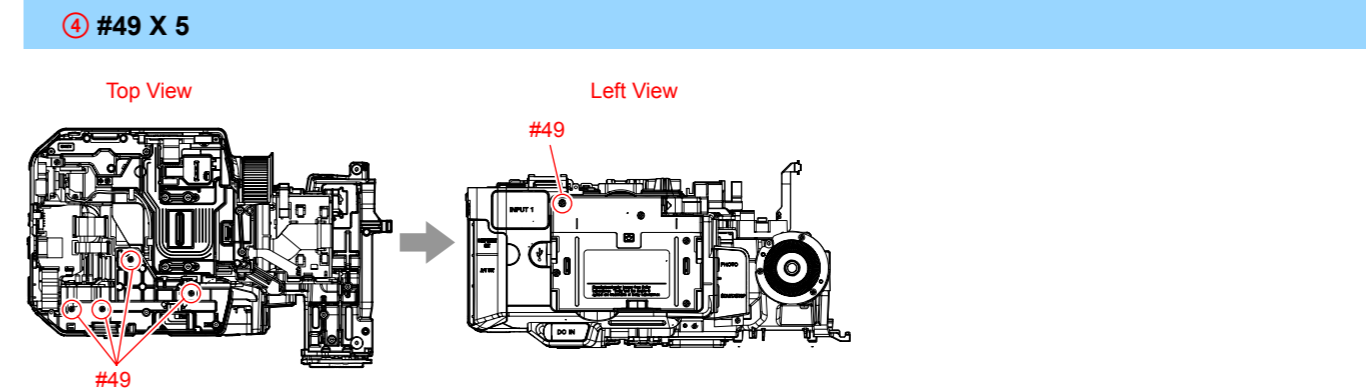
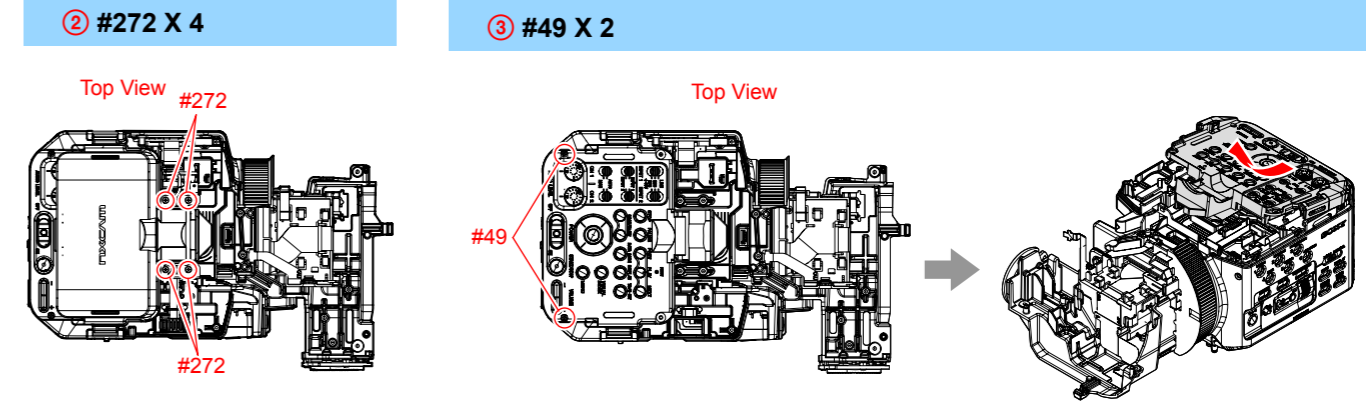
Ref. No.	Part No.	Description
151	4-269-048-01	COVER, AU (Note)
152	4-269-049-01	CABINET (TOP (LOWER))

Ref. No.	Part No.	Description
#49	2-630-005-31	SCREW (M2), NEW TRUSTER, P2
#269	2-655-582-01	SCREW 0+P2 M2 NEWTRU-STAR
#272	7-627-556-78	SCREW, PRECISION +P 2.6X6 TYPE1

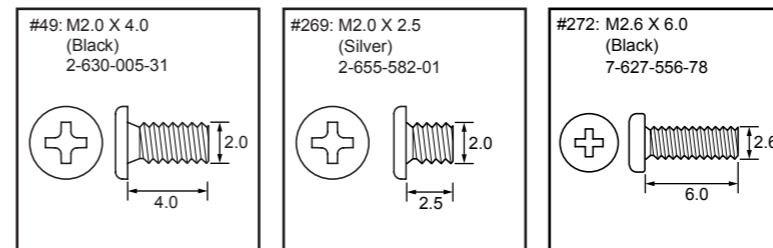
NEX-FS700/FS700K/FS700C/FS700CK/FS700E/FS700EK/FS700J/FS700JK/FS700R/FS700RH/FS700U/FS700UK

DISASSEMBLY

1. Remove in numerical order (① to ⑤) in the left figure.



Screw



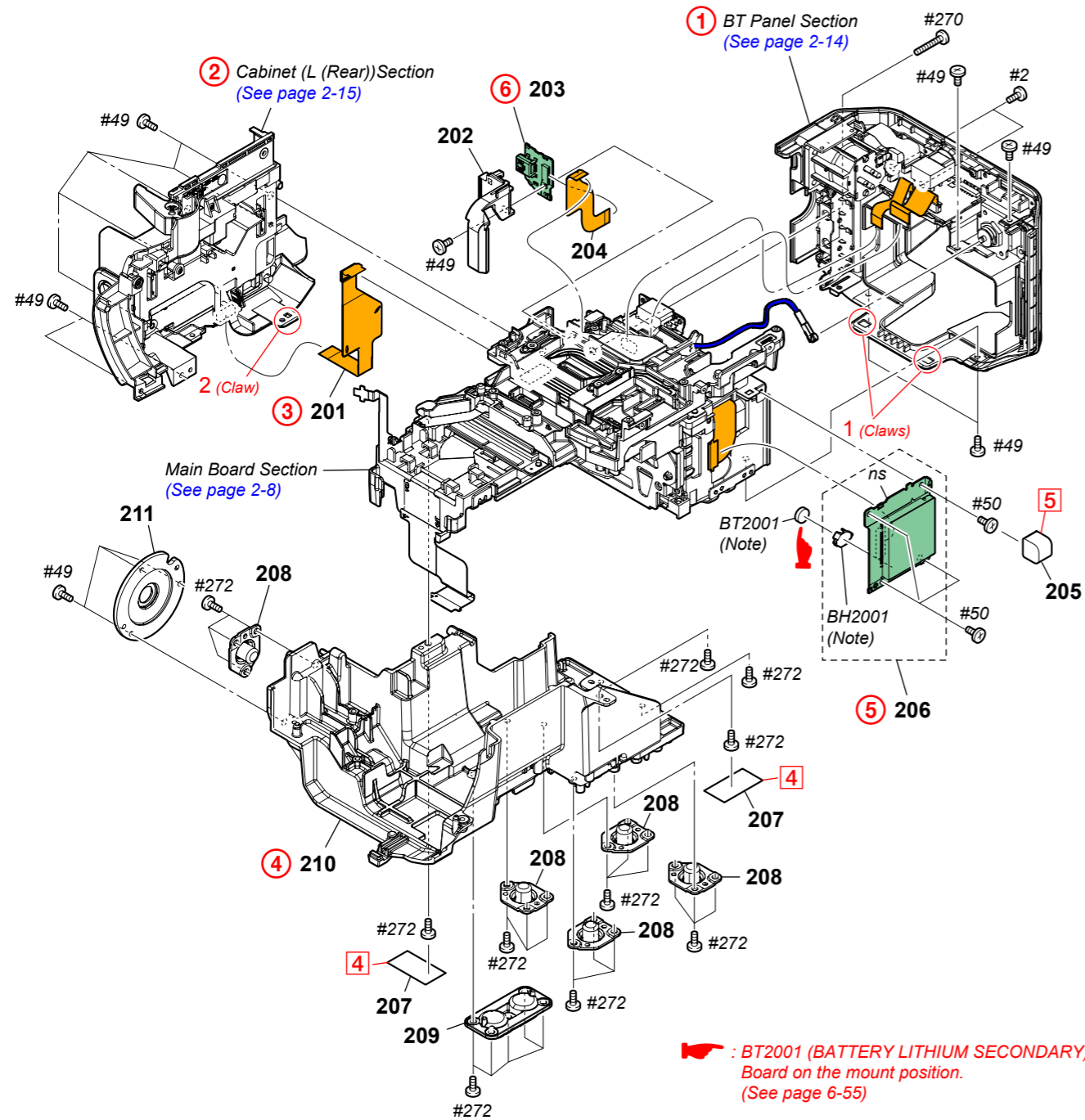
Note

Note: Refer to "Assembly-2: Installation Cautions of the AU Cover."

Note: "Assembly-2: Installation Cautions of the AU Cover."を参照してください。

2-1-5. OVERALL SECTION-5

ns : not supplied



Ref. No.	Part No.	Description
201	1-885-668-11	FP-1574 FLEXIBLE BOARD
202	4-269-143-01	HOLDER, USB
203	A-1885-255-A	US-020 BOARD, COMPLETE
204	1-885-666-11	FP-1572 FLEXIBLE BOARD
205	4-284-134-01	GASKET (B)
206	A-1885-251-A	MS-493 BOARD, COMPLETE
207	2-590-635-01	TAPE (AS 1/2)
208	4-269-036-01	PLATE, TRIPOD
209	4-284-132-01	WASHER (D LARGE), TRIPOD
210	4-425-252-01	FRAME (LOWER), MAIN

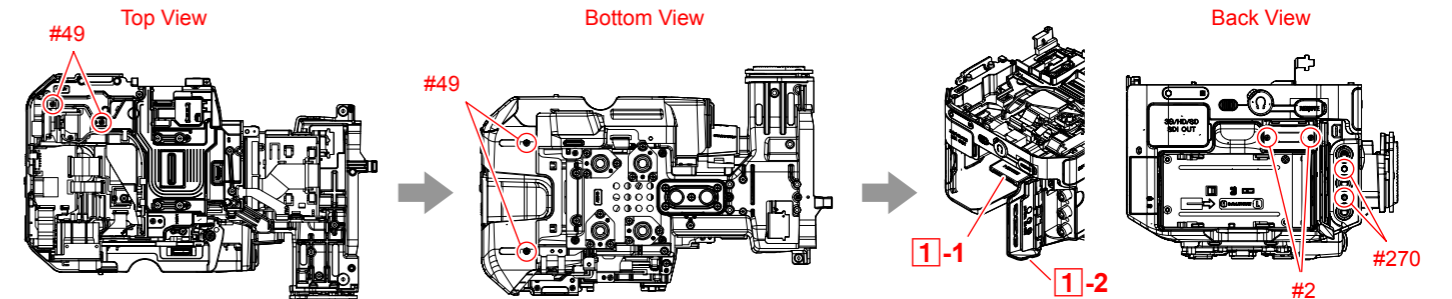
Ref. No.	Part No.	Description
211	4-425-250-01	PLATE, ROSSETTE
△BH2001	1-251-928-21	SOCKET, BATTERY (Note)
△BT2001	1-756-134-15	BATTERY, LITHIUM (SECONDARY) (Note)
#2	2-635-562-31	SCREW (M1.7)
#49	2-630-005-31	SCREW (M2), NEW TRUSTER, P2
#50	2-891-494-11	SCREW (M2), NEW TRUSTER, P2
#270	7-621-775-80	SCREW +B 2.6X16
#272	7-627-556-78	SCREW, PRECISION +P 2.6X6 TYPE1

NEX-FS700/FS700K/FS700C/FS700CK/FS700E/FS700EK/FS700J/FS700JK/FS700R/FS700RH/FS700U/FS700UK

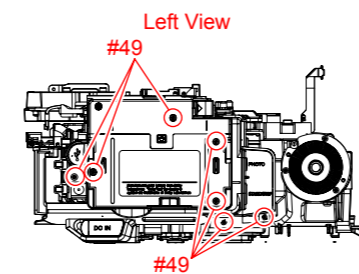
DISASSEMBLY

1. Remove in numerical order (① to ⑥) in the left figure.

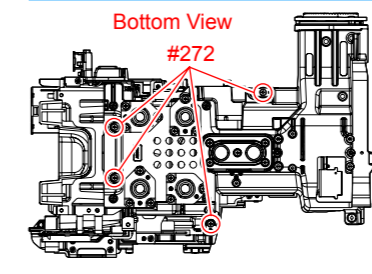
① #49 X 4 → Open HDMI Lid (①-1) → #2 X 2 → Open JK Lid (①-2) → #270 X 2



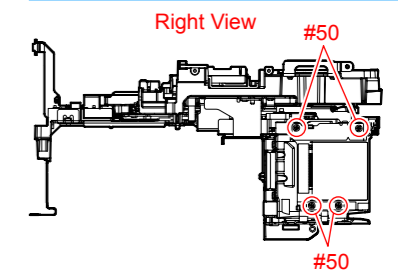
② #49 X 7



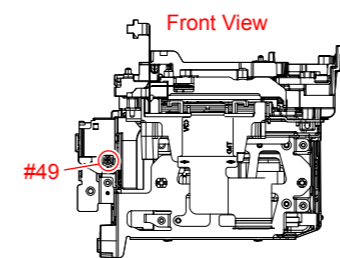
④ Remove Tapes (AS 1/2) (④) → #272 X 4



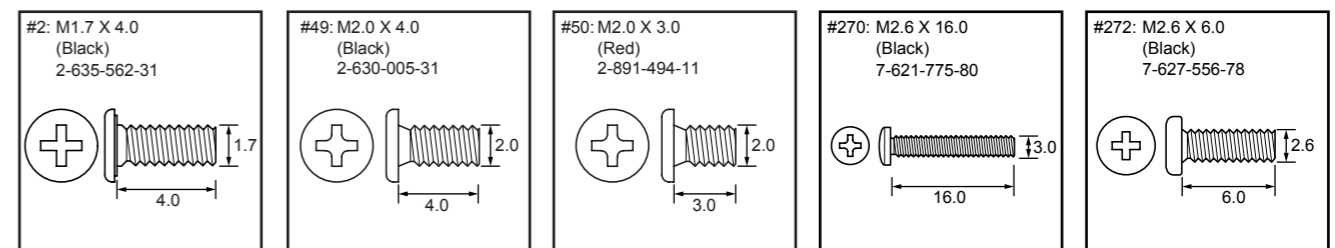
⑤ Remove Gasket (B) (⑤) → #50 X 4



⑥ #49 X 1



Screw

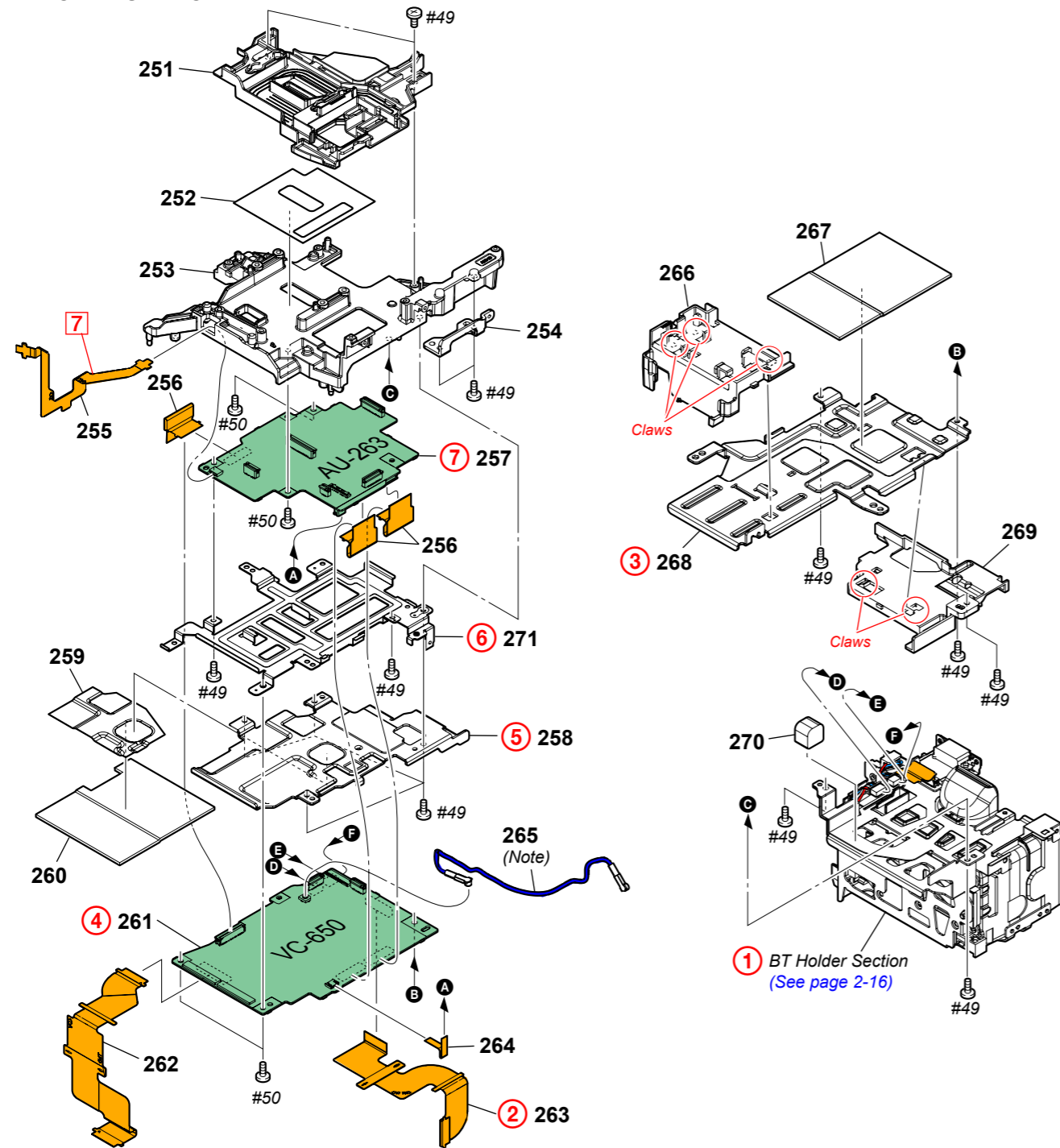


Note

Note: Replace the battery holder (BH2001) together when replacing the lithium storage battery (BT2001) on the MS-493 board. (The battery holder removed once cannot be used again.) When mounting these parts, mount new battery holder first and attach new lithium storage battery next.

Note: MS-493基板のリチウム蓄電池 (BT2001) を交換する場合はバッテリーホルダ (BH2001) も同時に新品に交換してください。(一度使用したバッテリーホルダは再使用できません。) 部品取り付けの際は、先にバッテリーホルダを取り付けてからリチウム蓄電池を装着してください。

2-1-6. MAIN BOARD SECTION



Ref. No.	Part No.	Description
251	4-425-259-01	CLAMP, SDI
252	4-432-960-01	CUSHION, TOP
253	4-425-251-01	FRAME (UPPER), MAIN
254	4-269-038-01	PLATE, HOOK (R)
255	1-885-663-11	FP-1570 FLEXIBLE BOARD
256	1-883-346-11	FP-1406 FLEXIBLE BOARD
257	A-1885-254-A	AU-263 BOARD, COMPLETE
258	4-425-255-01	HEAT SINK (UPPER), VC
259	4-427-884-01	SHEET, VC RADIATION
260	4-425-261-01	SHEET (A), VC RADIATION
261	A-1885-362-A	VC-650 BOARD, COMPLETE (FS700/FS700K/FS700C/FS700CK/FS700E/FS700EK/ FS700J/FS700JK/FS700U/FS700UK)
261	A-1981-917-A	VC-650 BOARD, COMPLETE (R) (FS700R/FS700RH)

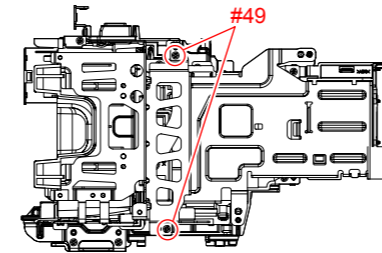
Ref. No.	Part No.	Description
262	1-885-662-11	FP-1569 FLEXIBLE BOARD
263	1-885-665-11	FP-1571 FLEXIBLE BOARD
264	1-846-029-11	CABLE, FLEXIBLE FLAT (FFC-1022)
265	1-968-301-11	HARNESS, COAXIAL (Note)
266	4-425-257-01	CLAMP (FRONT), FLEXIBLE
267	4-425-262-01	SHEET (B), VC RADIATION
268	4-425-256-01	HEAT SINK (LOWER), VC
269	4-425-258-01	CLAMP (REAR), FLEXIBLE
270	4-284-134-01	GASKET (B)
271	4-425-254-01	FRAME, VC
#49	2-630-005-31	SCREW (M2), NEW TRUSTER, P2
#50	2-891-494-11	SCREW (M2), NEW TRUSTER, P2

DISASSEMBLY

1. Remove in numerical order (① to ⑦) in the left figure.

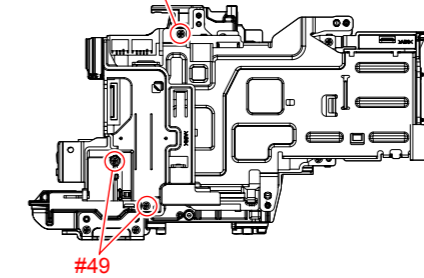
① #49 X 2

Bottom View



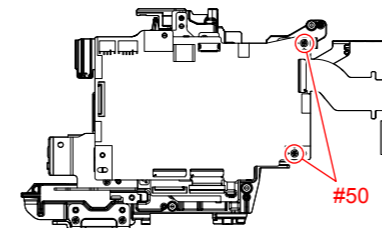
③ #49 X 3

Bottom View



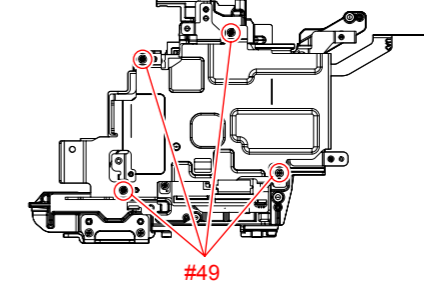
④ #50 X 2

Bottom View



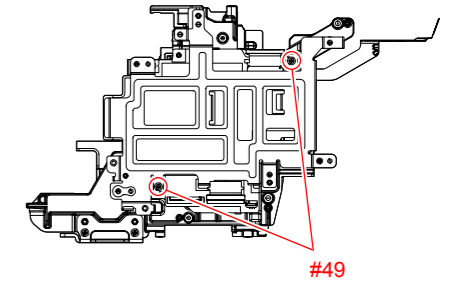
⑤ #49 X 4

Bottom View



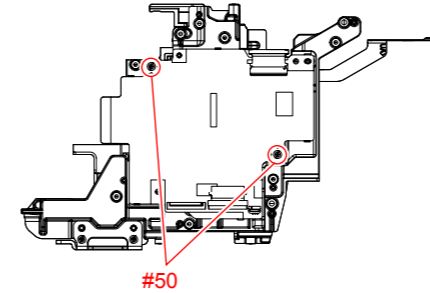
⑥ #49 X 2

Bottom View

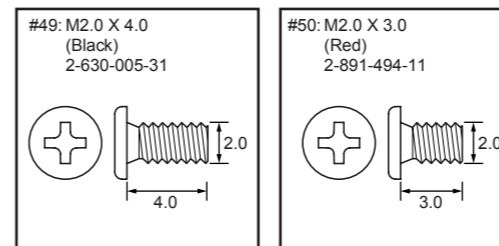


⑦ Remove FP-1570 Flexible Board (⑦) → #50 X 2

Bottom View



Screw



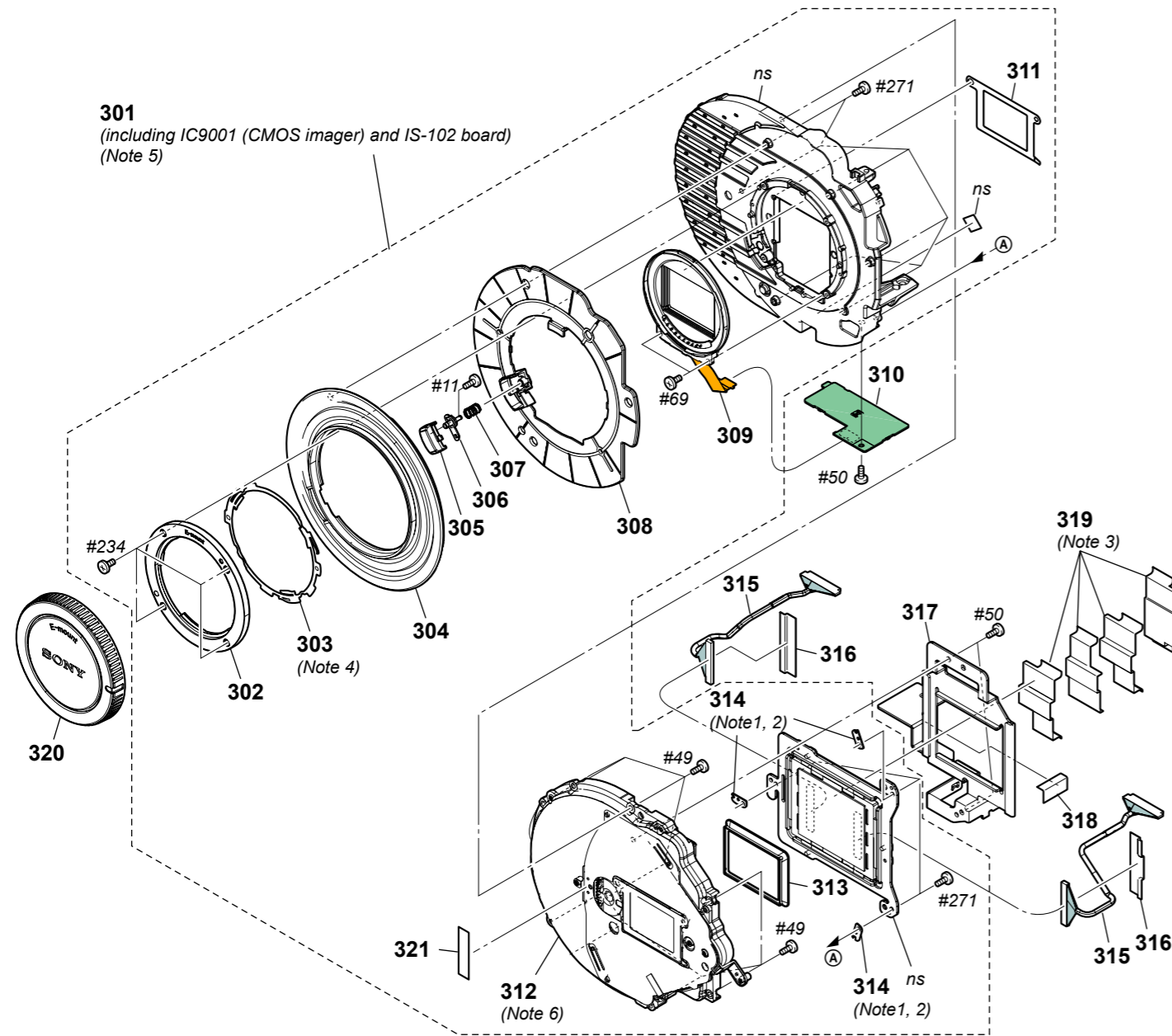
Note

Note: Refer to "Assembly-3: Installation Cautions of the Coaxial Harness."

Note: "Assembly-3: Installation Cautions of the Coaxial Harness."を参照してください。

2-1-7. MOUNT BLOCK SECTION

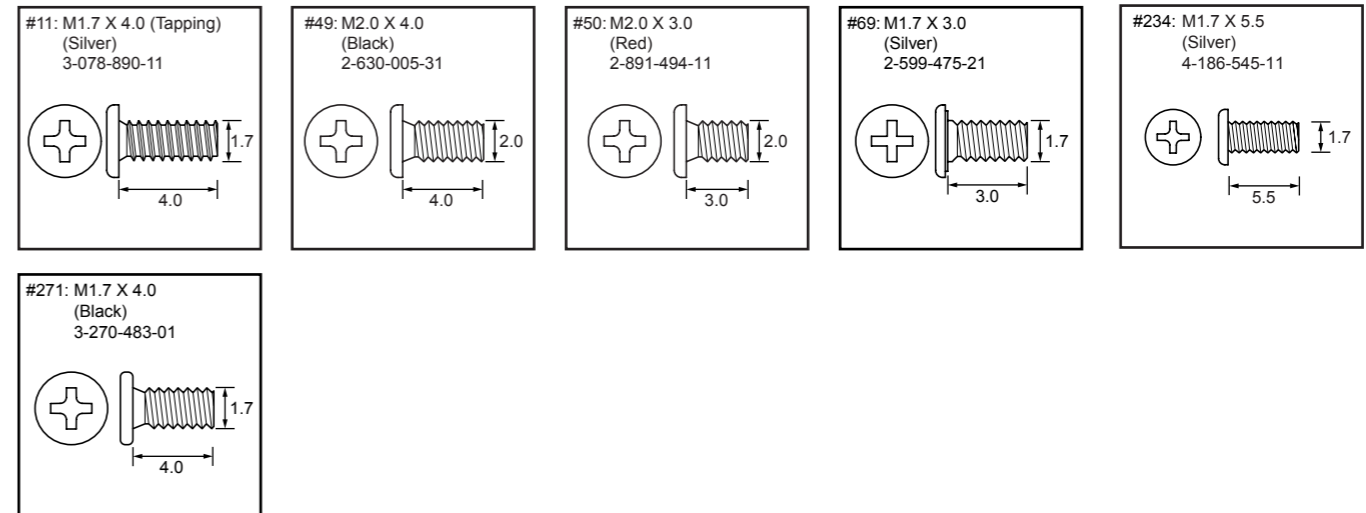
ns : not supplied



Ref. No.	Part No.	Description	Ref. No.	Part No.	Description
301	A-1885-380-A	SERVICE, MOUNT BLOCK ASSY (L) (including IC9001 (CMOS imager) and IS-102 board) (Note 5)	* 314	Selection Parts	IM WASHER (A), ADJUST (Note 1, 2)
302	4-269-054-01	MB N PLATE (A (945))	315	1-968-297-11	HARNESS (COAXIAL CABLE)
* 303	4-185-963-01	MB N PLATE SP (Note 4)	316	3-079-115-01	TAPE AS
304	4-425-279-01	RING (960), LENS	317	4-425-280-01	HEAT SINK, MT
305	4-299-974-01	BUTTON, L LOCK	318	2-590-635-01	TAPE (AS 1/2)
306	X-2582-840-1	PIN ASSY, L LOCK	319	4-408-292-01	SHEET, CM RADIATION (Note 3)
307	4-257-700-01	SPRING, LOCK (L)	320	4-188-536-01	CAP, BODY
308	4-425-282-01	CABINET, MT INNER	321	4-441-046-01	SPACER, ND
309	A-1876-371-B	MB CONTACT UNIT (755), N	#11	3-078-890-11	SCREW, TAPPING
310	A-1885-295-A	MT-076 BOARD, COMPLETE	#49	2-630-005-31	SCREW (M2), NEW TRUSTER, P2
311	4-424-696-01	MB SHEET (960), MASK	#50	2-891-494-11	SCREW (M2), NEW TRUSTER, P2
312	A-1889-736-A	NDF UNIT SERVICE (Note 6)	#69	2-599-475-21	SCREW (M1.7)
313	4-424-716-01	MB RUBBER (SG), SEAL	#234	4-186-545-11	SCREW, 0+Z M1.7 SG (SPIN)
			#271	3-270-483-01	GRIP, (M1.7 X 4.0) (2 MAIN EG)

NEX-FS700/FS700K/FS700C/FS700CK/FS700E/FS700EK/FS700J/FS700JK/FS700R/FS700RH/FS700U/FS700UK

Screw



Note

Note 1: The IM adjust washers (A) differ in thickness. Make sure to return the removed IM adjust washers to original places. When replacing IM adjust washers, refer to "SELECTION PARTS". If the original state cannot be restored due to loss of the IM adjust washer, for example, replace the Mount Block Assy (Service).

Note 1: IM調整ワッシャ (A)は、それぞれ厚さが異なります。取り外したIM調整ワッシャは、必ず元の位置に戻してください。また、IM調整ワッシャを交換する際は、“SELECTION PARTS”を参照してください。IM adjust washerを紛失するなどして元の状態に戻せなくなった場合は、Mount Block Assy (Service) を交換してください。

SELECTION PARTS

Ref. No.314

Select the optimum thickness of washer.

- * 4-185-995-01 IM WASHER (A), ADJUST (t = 0.05)
- * 4-185-995-11 IM WASHER (A), ADJUST (t = 0.1)
- * 4-185-995-21 IM WASHER (A), ADJUST (t = 0.15)
- * 4-185-995-31 IM WASHER (A), ADJUST (t = 0.2)
- * 4-185-995-41 IM WASHER (A), ADJUST (t = 0.25)
- * 4-185-995-51 IM WASHER (A), ADJUST (t = 0.3)
- * 4-185-995-61 IM WASHER (A), ADJUST (t = 0.35)
- * 4-185-995-71 IM WASHER (A), ADJUST (t = 0.4)
- * 4-185-995-81 IM WASHER (A), ADJUST (t = 0.45)
- * 4-185-995-91 IM WASHER (A), ADJUST (t = 0.495)

Note 2: Refer to "Assembly-4: Putting position of the IM Adjust Washer (A)."

Note 2: "Assembly-4: Putting position of the IM Adjust Washer (A)." を参照してください。

Note 3: Refer to "Assembly-5: Attaching method of the CM Radiation Sheets."

Note 3: "Assembly-5: Attaching method of the CM Radiation Sheets." を参照してください。

Note 4: Refer to "Assembly-6: Apply grease on the MB N Plate SP."

Note 4: "Assembly-6: Apply grease on the MB N Plate SP." を参照してください。

Note 5: Precautions for Replacement of the Mount Block Assy Service
As Mount Block Assy Service may be damaged by static electricity from its structure, handle it carefully like for the MOS IC.
In addition, ensure that the receiver is not covered with dust nor exposed to strong light.

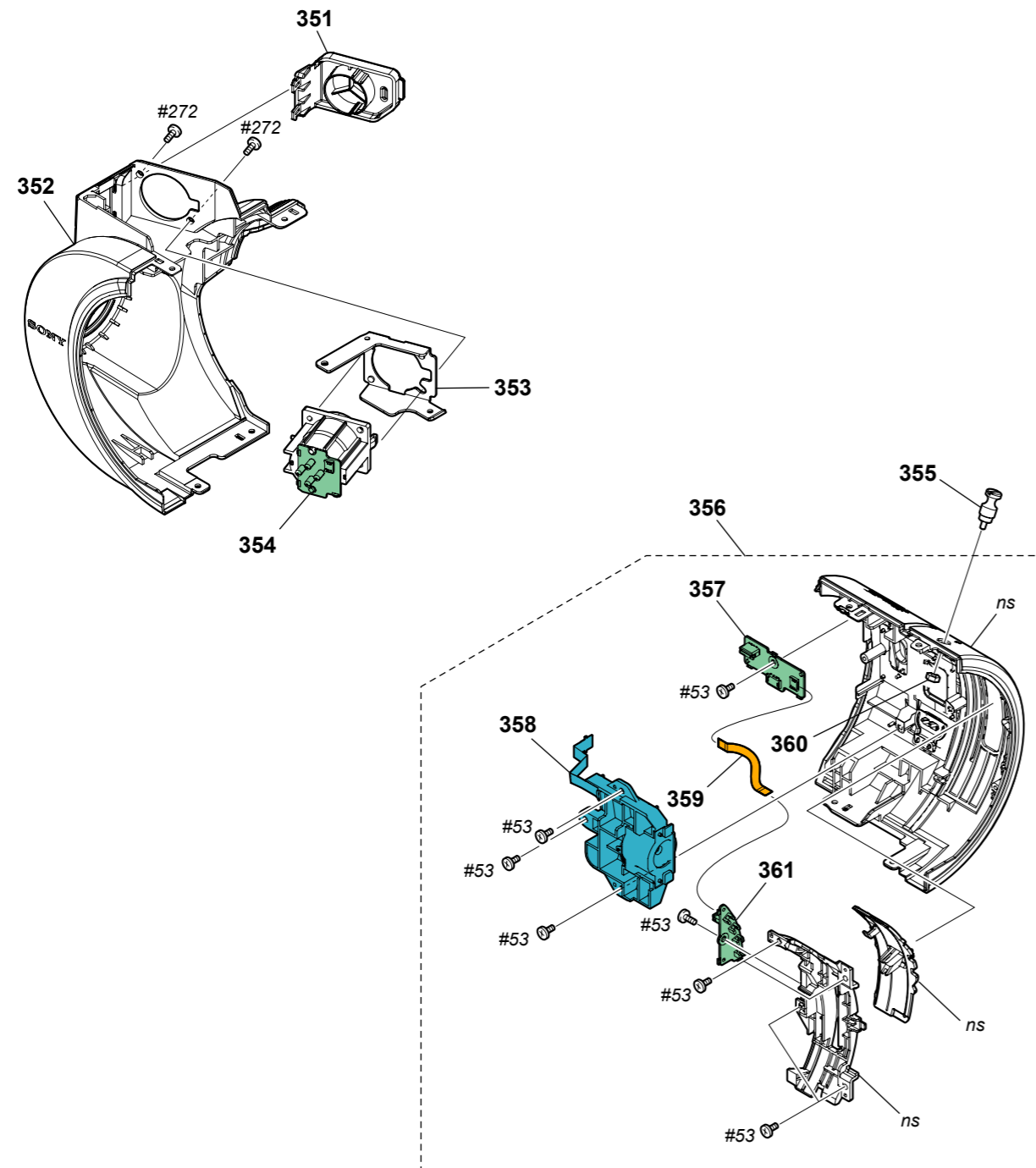
Note 5: マウントブロックAssy サービス交換時の注意
マウントブロックAssy サービスは構造上、静電気により破壊される恐れがあるため、MOS ICと同様に注意して取り扱ってください。
また、受光部にはゴミの付着、および強い光がはいることのないように注意してください。

Note 6: New NDF Unit Service is attached two Protection Sheets
When assemble this part, peel off two sheets.

Note 6: 新品のNDF Unit ServiceにはProtection Sheetが2枚貼り付けられています。
取付時はこれらのシートを剥がしてください。

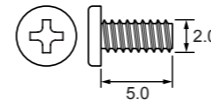
2-1-8. CABINET (L (FRONT)) / (R (FRONT)) SECTION

ns : not supplied

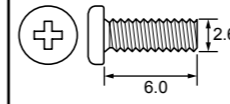


Screw

#53: M2.0 X 5.0 (Tapping)
(Black)
3-080-206-21



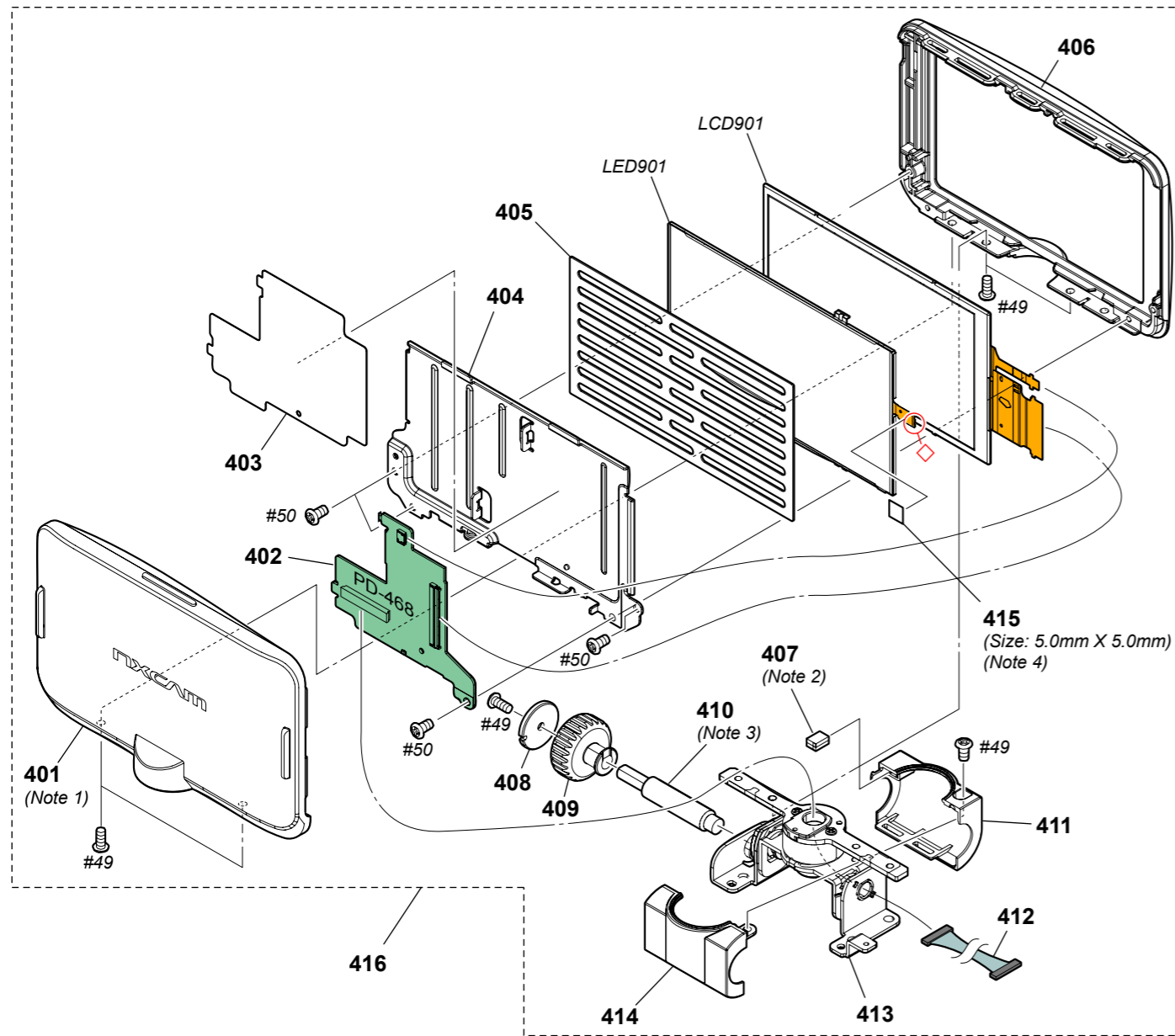
#272: M2.6 X 6.0
(Black)
7-627-556-78



Ref. No.	Part No.	Description
351	4-425-249-01	LID (FRONT), XLR
352	4-425-289-01	CABINET (L (FRONT))
353	4-425-290-01	FRAME (FRONT), XLR
354	A-1885-258-A	XL-015 BOARD, COMPLETE
355	4-269-040-01	HOOK, MEGEYAR
356	A-1885-371-A	CABINET (R (FRONT)) BLOCK ASSY
357	A-1885-286-A	RF-056 BOARD, COMPLETE
358	1-489-424-11	SWITCH BLOCK, CONTROL (FI94500)

Ref. No.	Part No.	Description
359	1-846-031-11	CABLE, FLEXIBLE FLAT (FFC-1024)
360	7-622-205-05	NUT M2 TYPE2
361	A-1885-287-A	ND-005 BOARD, COMPLETE
#53	3-080-206-21	SCREW, TAPPING, P2
#272	7-627-556-78	SCREW, PRECISION +P 2.6X6 TYPE1

2-1-9. LCD SECTION



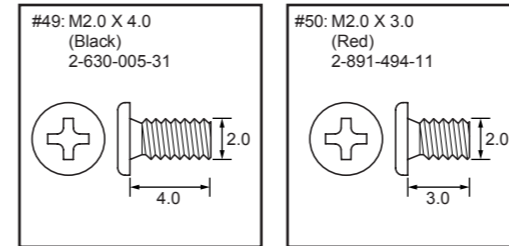
Ref. No.	Part No.	Description
401	4-269-207-01	CABINET (C), P (Note 1)
402	A-1885-281-A	PD-468 BOARD, COMPLETE
403	4-269-204-01	SHEET (PD)
404	4-269-203-01	FRAME, LCD
405	4-283-280-11	CUSHION (91000), LCD

Ref. No.	Part No.	Description
406	4-269-202-11	CABINET (M), P
407	1-471-504-11	MAGNET (ND5X3.5X2.4-B) (Note 2)
408	4-269-197-01	CAP, LCD KNOB
409	4-269-196-01	KNOB, LCD LOCK
410	4-269-195-01	BOLT, LCD LOCK (Note 3)
411	4-269-206-01	CABINET (REAR), HINGE
412	1-967-783-11	HARNESS (COAXIAL CABLE)
413	X-2580-324-1	HINGE ASSY, PANEL
414	4-269-205-01	CABINET (FRONT), HINGE
415	3-089-986-01	SHEET (L), LIGHT INTERCEPTION (Note 4)
416	A-1885-373-A	PANEL BLOCK ASSY, LCD
LCD901	1-811-403-11	LCD WITH TOUCH PANEL
LED901	1-487-270-11	BLOCK, LIGHT GUIDE PLATE (3.5)
#49	2-630-005-31	SCREW (M2), NEW TRUSTER, P2
#50	2-891-494-11	SCREW (M2), NEW TRUSTER, P2

DISASSEMBLY

1. The meaning of the symbol in left figure is as follows. Be careful when you remove it.
 ◇ : Solder

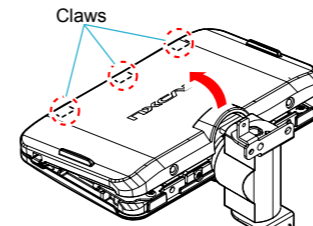
Screw



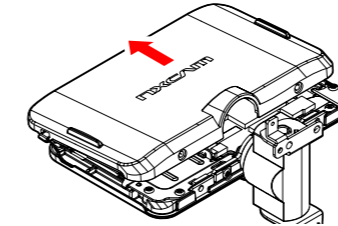
Note

Note 1: Install the P cabinet (C) assembly in the following procedure to prevent the claw of P cabinet (C) assembly from breaking.

- ① Lift up the opposite side of the claw of P cabinet (C) assembly in the arrow direction.

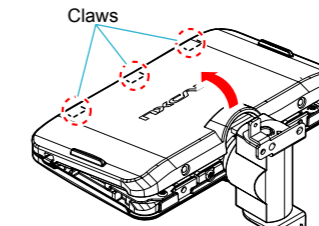


- ② Remove the P cabinet (C) assembly, sliding it in the arrow direction.

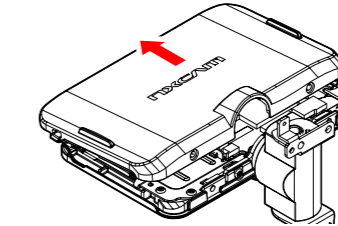


Note 1: P Cabinet (C) Assyの爪を折らないために、以下の手順でP Cabinet (C) Assyを取り外してください。

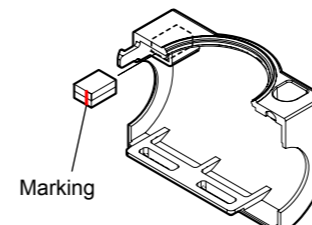
- ① P Cabinet (C) Assyの爪の無い側を矢印方向に持ち上げる。



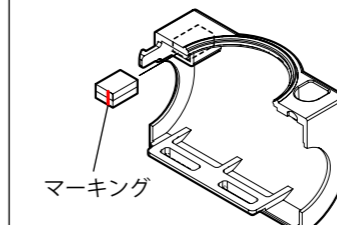
- ② P Cabinet (C) Assyを矢印方向にスライドさせてP Cabinet (C) Assyを取り外す。



Note 2: Install the magnet with the marking oriented as shown below.



Note 2: マグネットを取付ける際は、マーキング面を図の位置にあわせてください。



Note 3: Refer to "Assembly-7: Apply grease on the LCD Lock Bolt".

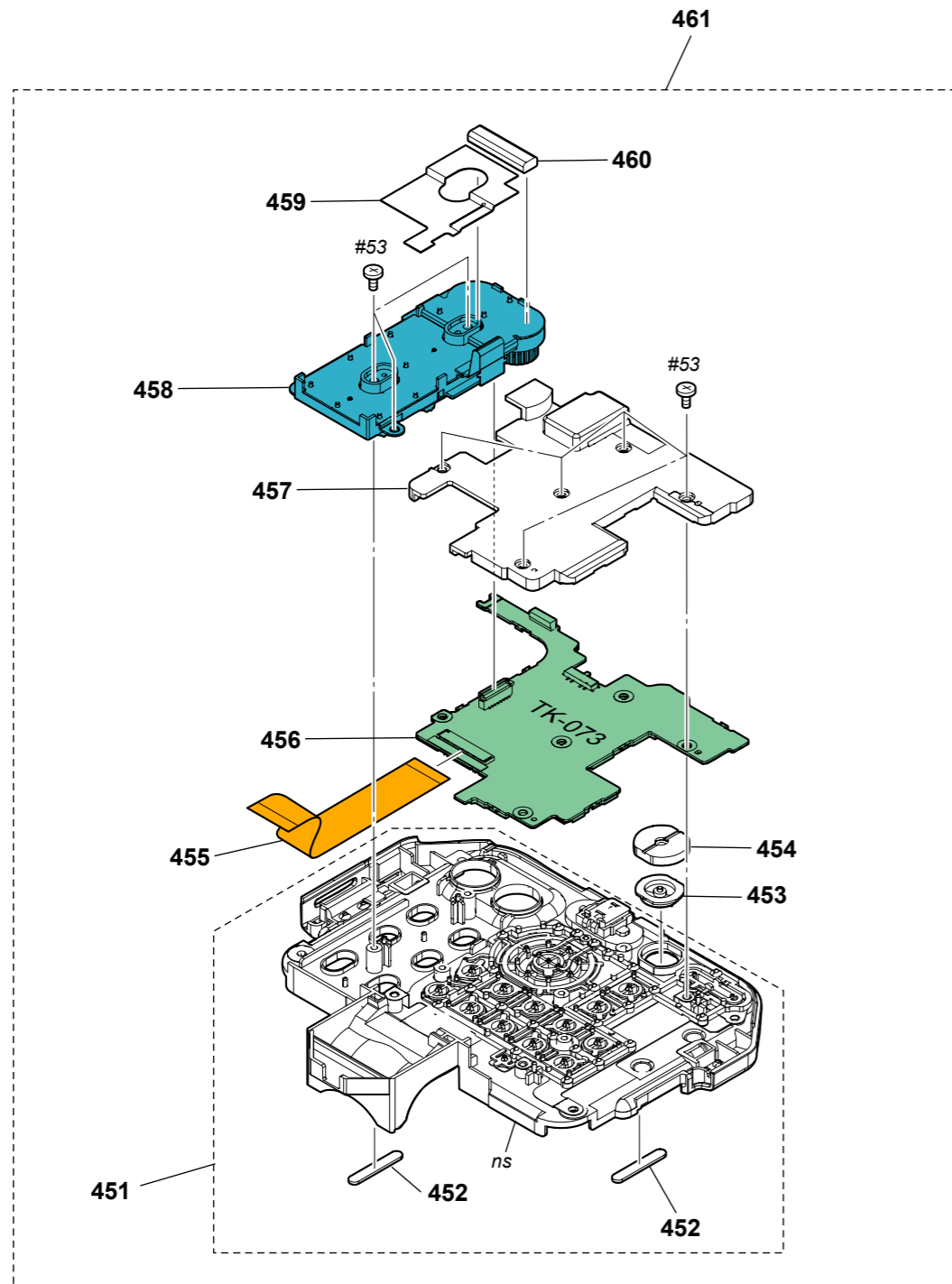
Note 3: "Assembly-7: Apply grease on the LCD Lock Bolt."を参照してください。

Note 4: Cut SHEET, LIGHT INTERCEPTION (3-089-986-01) into the desired length and use it.

Note 4: SHEET, LIGHT INTERCEPTION (3-089-986-01) は指定のサイズに切って使用すること。

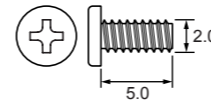
2-1-10. CONTROL PANEL SECTION

ns : not supplied



Screw

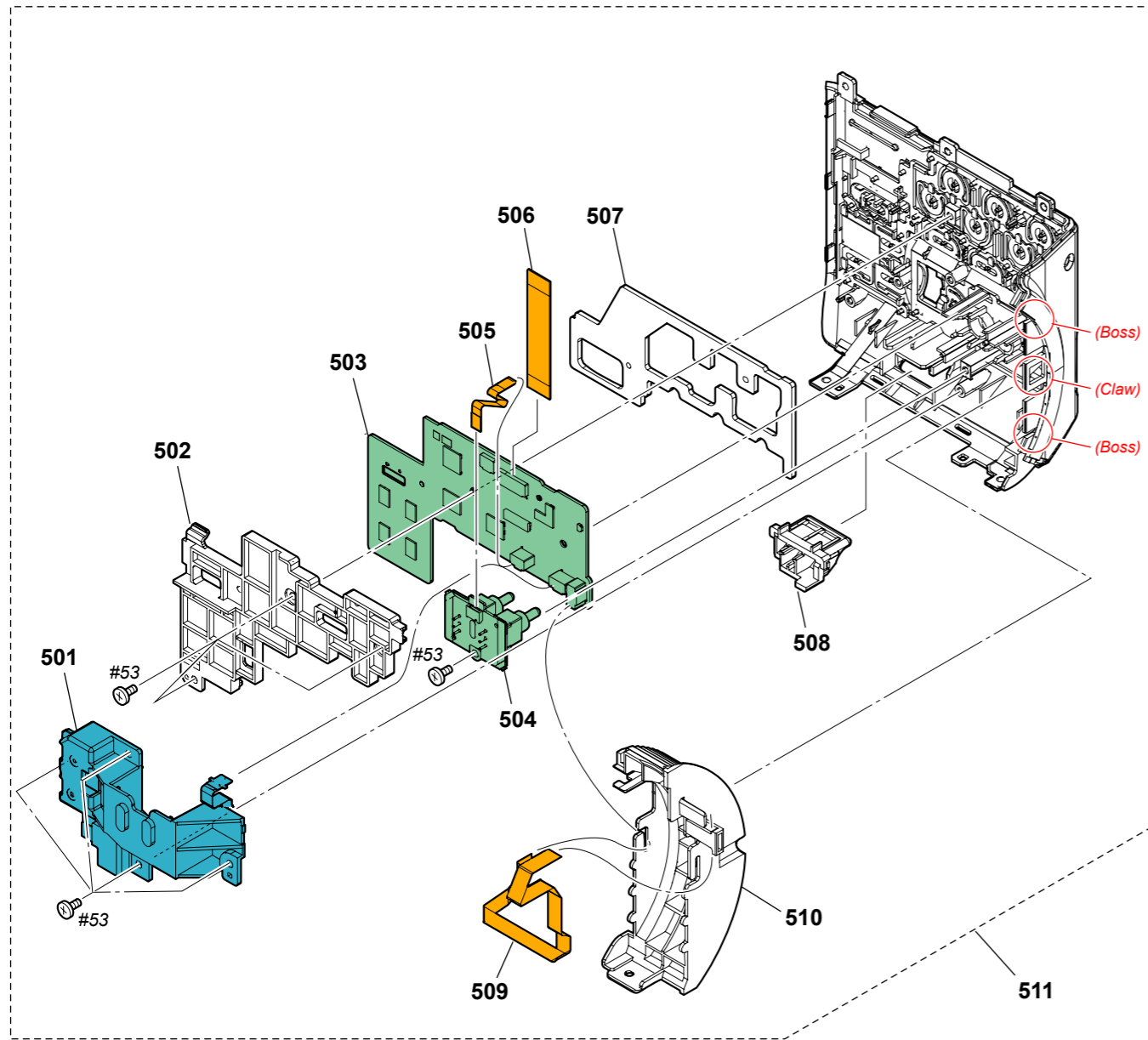
#53: M2.0 X 5.0 (Tapping)
(Black)
3-080-206-21



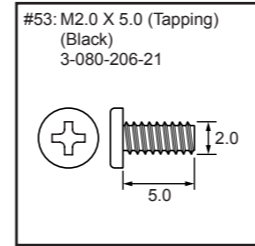
Ref. No.	Part No.	Description
451	X-2581-577-1	PANEL ASSY, CONTROL
452	3-288-474-01	RUBBER, PANEL RETAINER
453	4-269-120-01	BUTTON, SS
454	4-269-121-01	RUBBER, SS BUTTON
455	1-839-083-11	CABLE, FLEXIBLE FLAT (FFC-248)

Ref. No.	Part No.	Description
456	A-1885-294-A	TK-073 BOARD, COMPLETE
457	4-269-181-01	RETAINER, TK
458	1-489-423-11	SWITCH BLOCK, CONTROL (AU94500)
459	4-428-225-01	SHEET, TR RADIATION
460	4-279-796-11	GASKET (TOP)
461	A-1885-374-A	PANEL BLOCK ASSY, CONTROL
#53	3-080-206-21	SCREW, TAPPING, P2

2-1-11. CABINET (R) SECTION



Screw

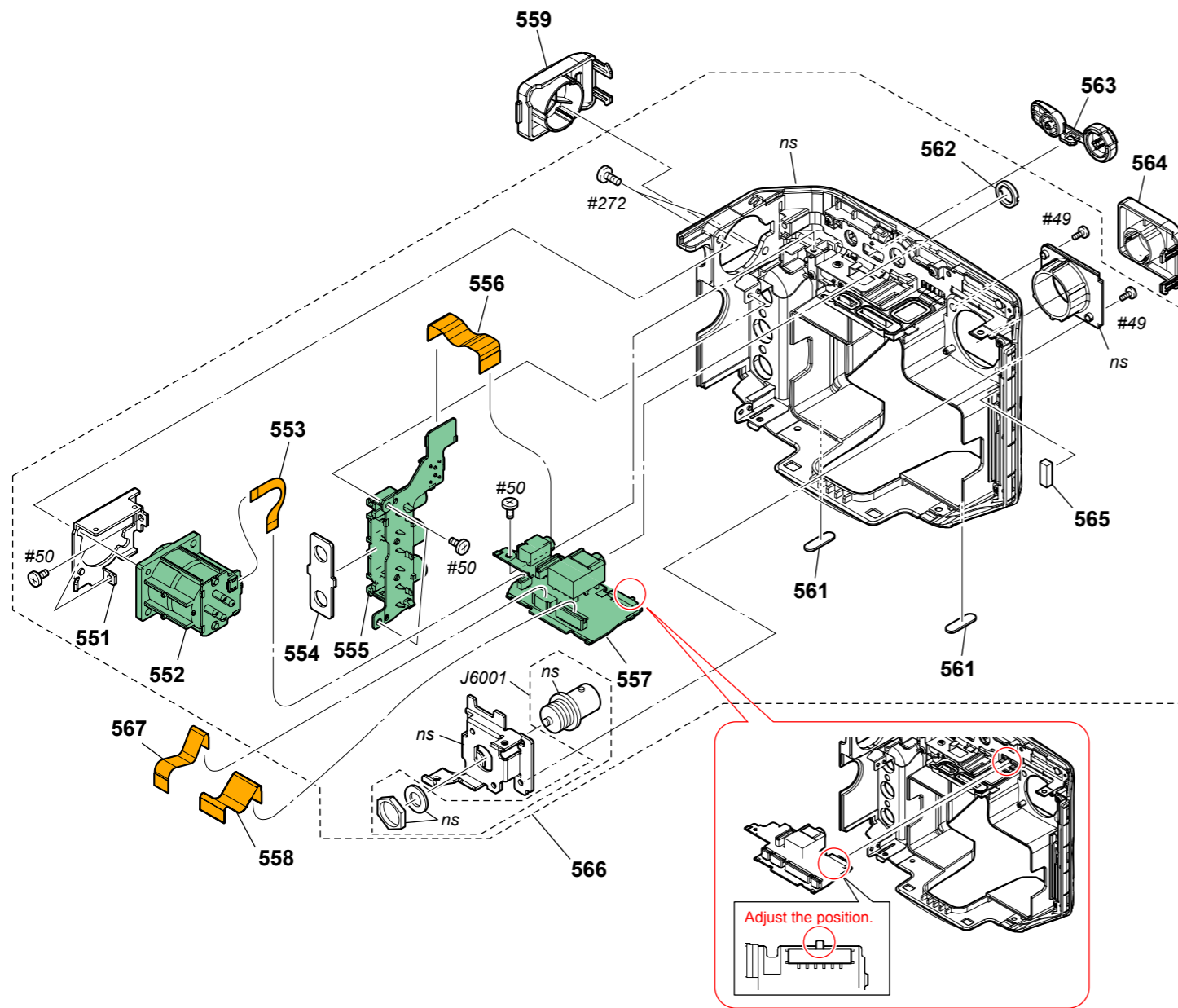


Ref. No.	Part No.	Description
501	1-489-425-11	SWITCH BLOCK, CONTROL (KP94500)
502	4-269-094-01	RETAINER, RK
503	A-1885-285-A	RK-003 BOARD, COMPLETE
504	A-1885-284-A	TS-162 BOARD, COMPLETE
505	1-846-029-11	CABLE, FLEXIBLE FLAT (FFC-1022)
506	1-839-081-11	CABLE, FLEXIBLE FLAT (FFC-245)
507	4-286-683-01	SPACER (C)
508	4-269-151-01	BUTTON, BT RELEASE
509	1-839-862-11	CABLE, FLEXIBLE FLAT (FFC-291)
510	4-425-277-01	CABINET (R (MIDDLE))

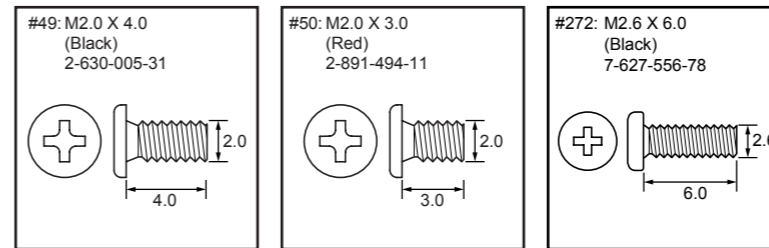
Ref. No.	Part No.	Description
511	A-1885-375-A	CABINET (R (REAR)) BLOCK ASSY
#53	3-080-206-21	SCREW, TAPPING, P2

2-1-12. BT PANEL SECTION

ns : not supplied



Screw

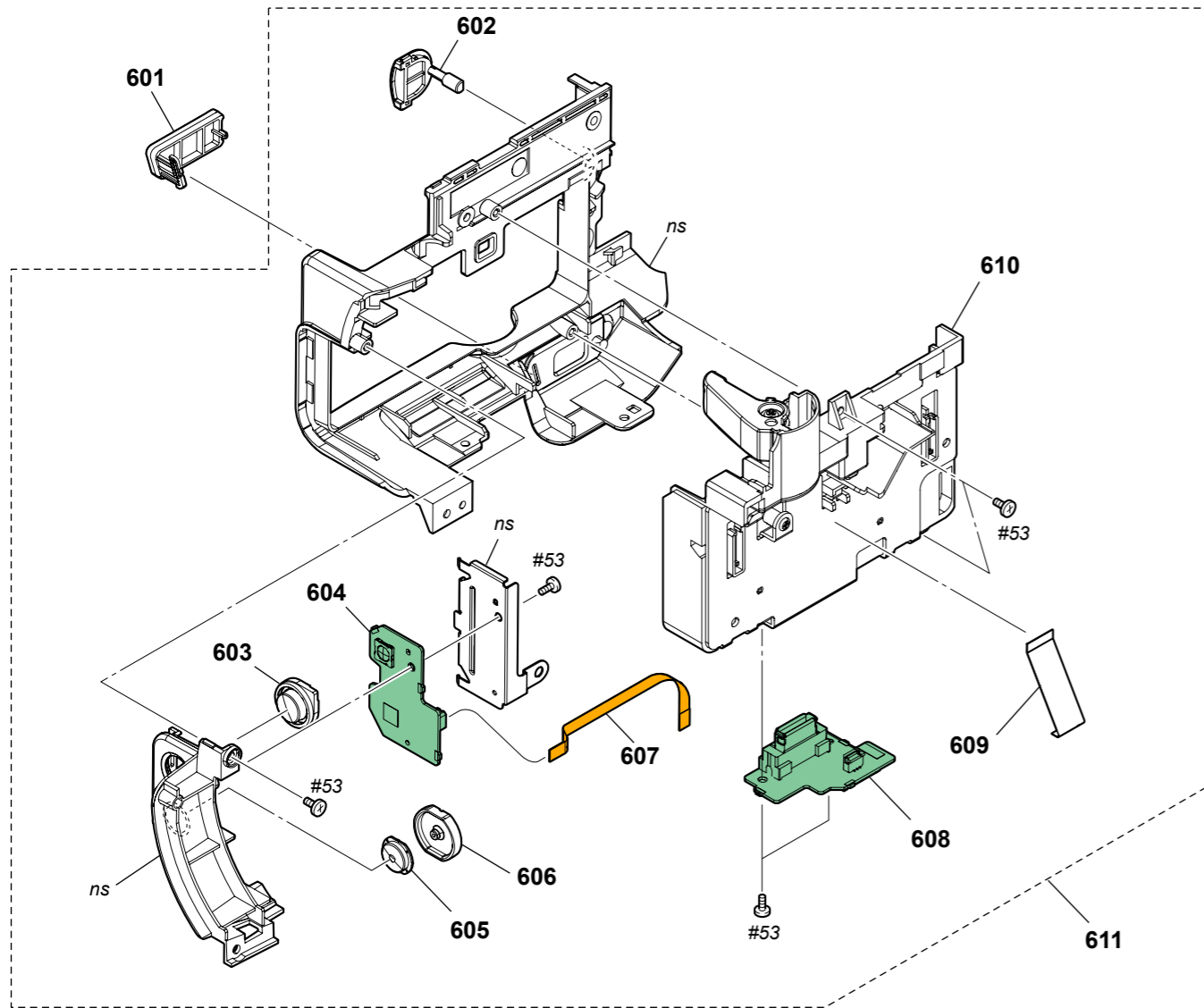


Ref. No.	Part No.	Description
551	4-269-162-01	FRAME (L), XLR
552	A-1885-258-A	XL-015 BOARD, COMPLETE
553	1-846-029-11	CABLE, FLEXIBLE FLAT (FFC-1022)
554	4-286-682-01	SPACER (B)
555	A-1885-259-A	JK-406 BOARD, COMPLETE
556	1-839-081-11	CABLE, FLEXIBLE FLAT (FFC-245)
557	A-1885-260-A	HP-161 BOARD, COMPLETE
558	1-839-861-11	CABLE, FLEXIBLE FLAT (FFC-290)
559	4-269-047-01	LID (L), XLR
561	4-165-229-01	FOOT, RUBBER

Ref. No.	Part No.	Description
562	3-061-234-01	NUT (M6X0.5)
563	4-269-044-01	LID, HP REMOTE
564	4-425-260-01	LID, SDI
* 565	4-170-751-01	SPACER (A), VC
566	A-1885-376-A	PANEL BLOCK ASSY, BT
567	1-839-086-11	CABLE, FLEXIBLE FLAT (FFC-256)
J6001	1-784-240-11	CONVERTER, COAXIAL CONNECTOR
#49	2-630-005-31	SCREW (M2), NEW TRUSTER, P2
#50	2-891-494-11	SCREW (M2), NEW TRUSTER, P2
#272	7-627-556-78	SCREW, PRECISION +P 2.6X6 TYPE1

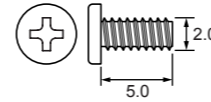
2-1-13. CABINET (L (REAR)) SECTION

ns : not supplied



Screw

#53: M2.0 X 5.0 (Tapping)
(Black)
3-080-206-21

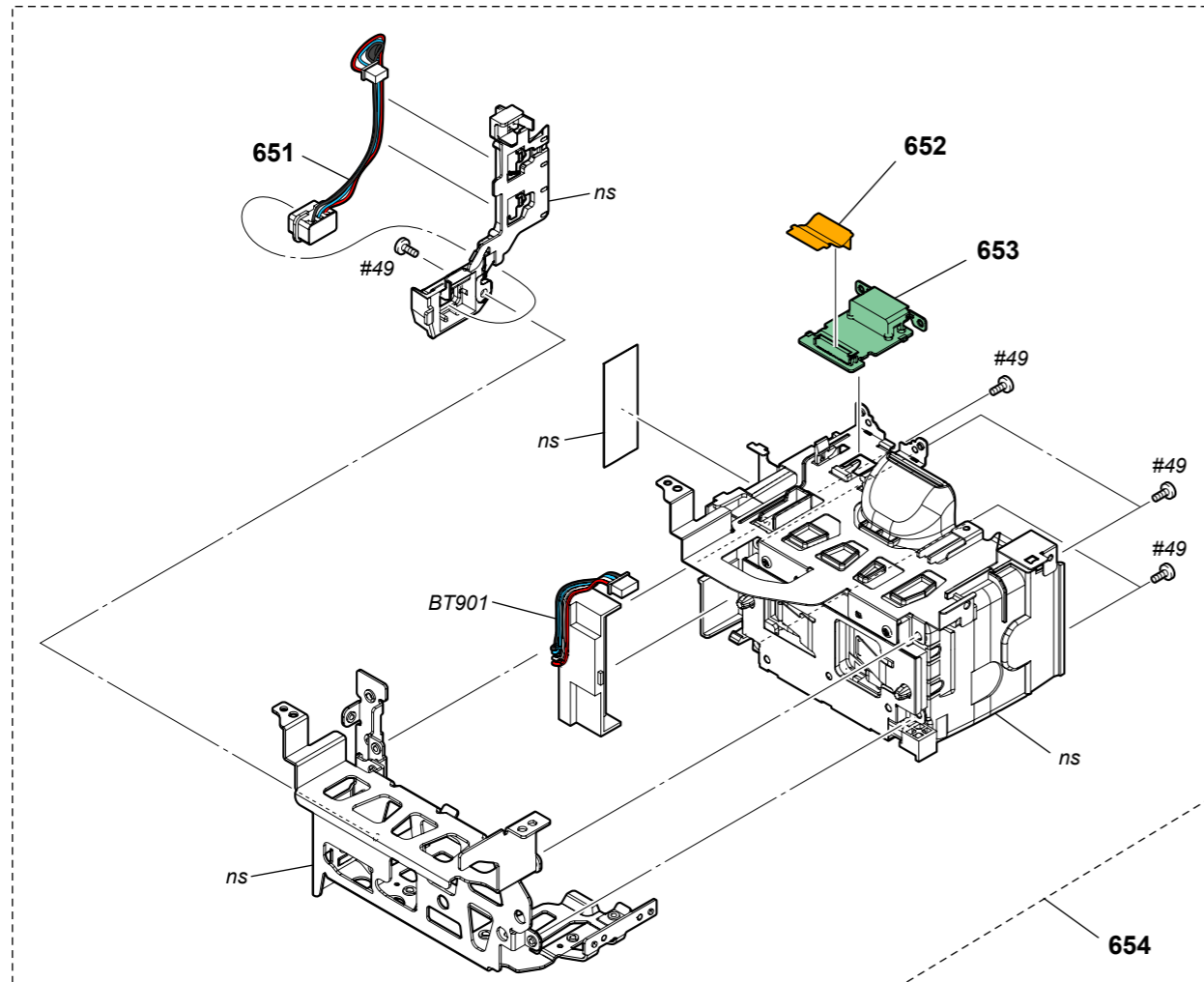


Ref. No.	Part No.	Description
601	4-425-248-01	LID, DC
602	4-269-042-01	LID, USB
603	4-425-273-01	BUTTON, PHOTO
604	A-1885-282-A	LS-074 BOARD, COMPLETE
605	4-269-120-01	BUTTON, SS
606	4-269-121-01	RUBBER, SS BUTTON
607	1-846-030-11	CABLE, FLEXIBLE FLAT (FFC-1023)
608	A-1885-283-A	FB-226 BOARD, COMPLETE
609	3-079-115-01	TAPE AS
610	X-2581-572-1	CABINET (S) ASSY

Ref. No.	Part No.	Description
611	A-1885-377-A	CABINET (L (REAR)) BLOCK ASSY
#53	3-080-206-21	SCREW, TAPPING, P2

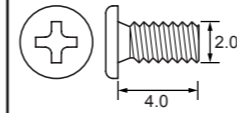
2-1-14. BT HOLDER SECTION

ns : not supplied



Screw

#49: M2.0 X 4.0
(Black)
2-630-005-31



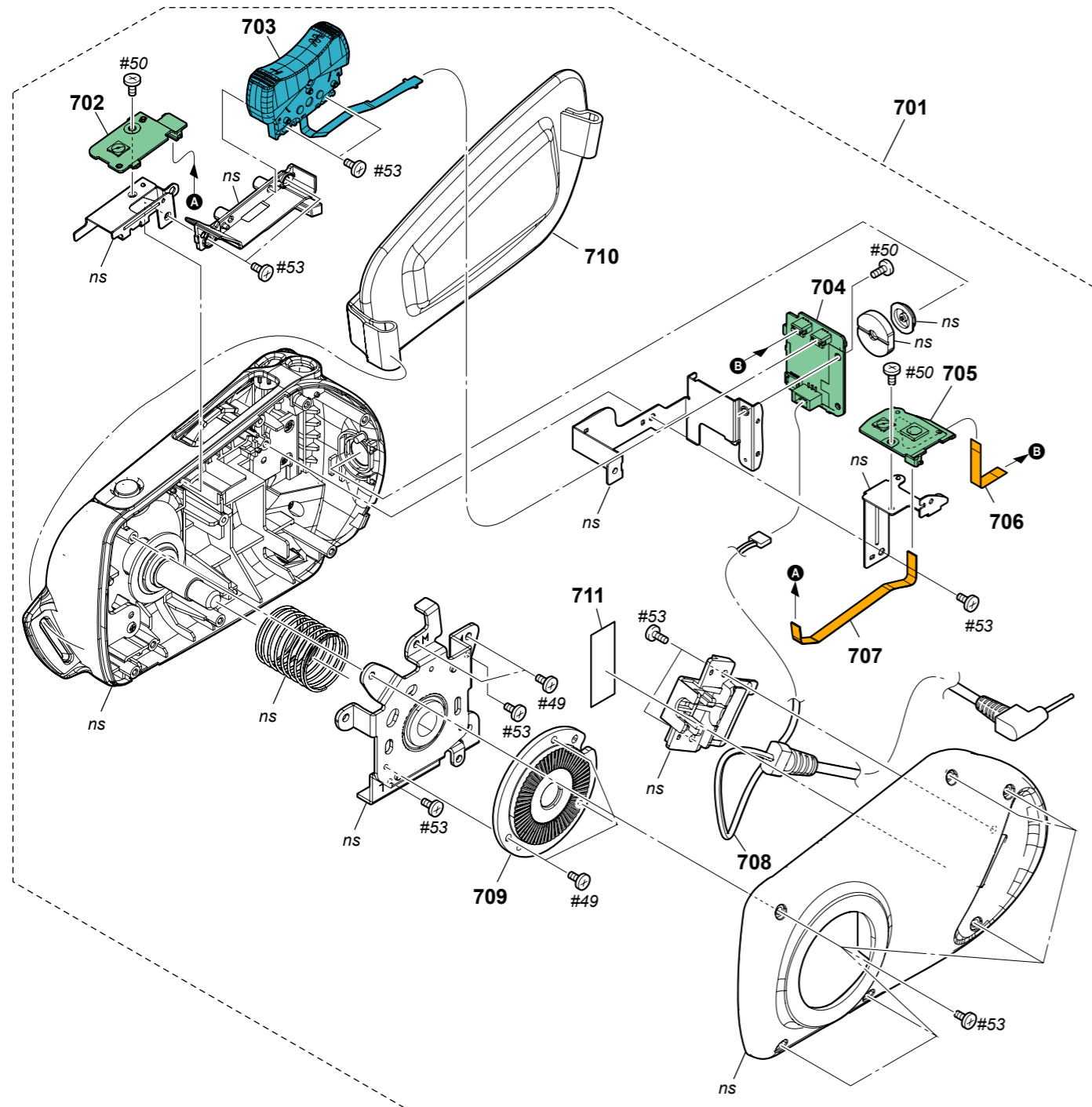
Ref. No.	Part No.	Description
651	1-843-325-11	JACK, DC
652	1-885-667-11	FP-1573 FLEXIBLE BOARD
653	A-1885-262-A	HD-045 BOARD, COMPLETE
654	A-1885-378-A	HOLDER BLOCK ASSY, BT

Ref. No.	Part No.	Description
BT901	1-694-411-31	TERMINAL BOARD, BATTERY
#49	2-630-005-31	SCREW (M2), NEW TRUSTER, P2

NEX-FS700/FS700K/FS700C/FS700CK/FS700E/FS700EK/FS700J/FS700JK/FS700R/FS700RH/FS700U/FS700UK

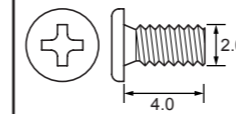
2-1-15. GRIP SECTION

ns : not supplied

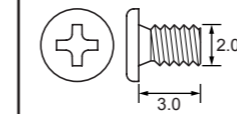


Screw

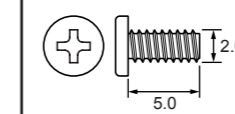
#49: M2.0 X 4.0
(Black)
2-630-005-31



#50: M2.0 X 3.0
(Red)
2-891-494-11



#53: M2.0 X 5.0 (Tapping)
(Black)
3-080-206-21



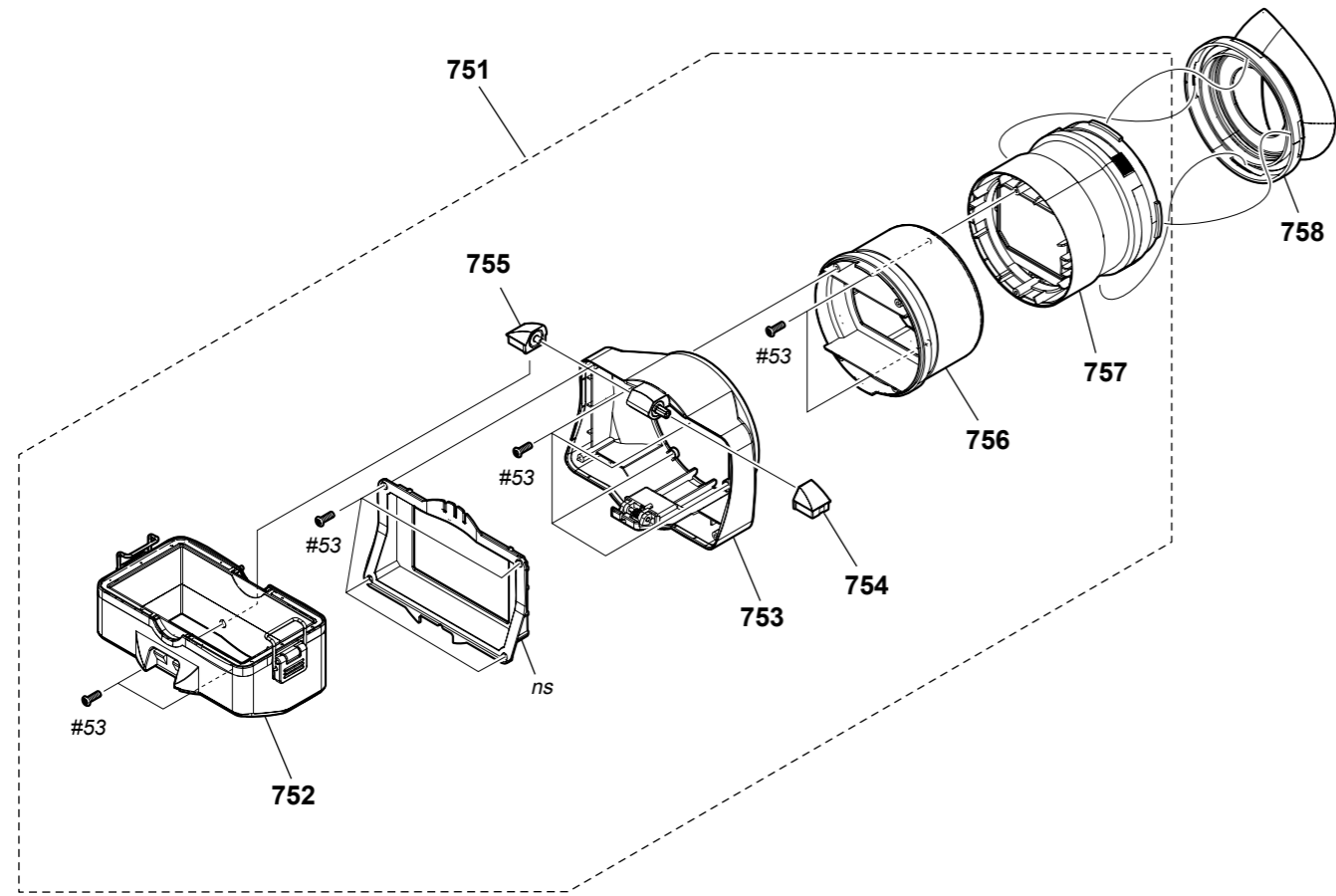
Ref. No.	Part No.	Description
701	A-1885-363-A	GRIP BLOCK ASSY (EXCEPT FS700U/FS700UK)
701	A-1885-364-A	GRIP BLOCK ASSY(FS700U/FS700UK)
702	A-1885-291-A	IR-079 BOARD, COMPLETE
703	1-490-411-11	SWITCH BLOCK, CONTROL (PZ96000)
704	A-1885-290-A	SS-190 BOARD, COMPLETE
705	A-1885-293-A	EF-001 BOARD, COMPLETE
706	1-846-030-11	CABLE, FLEXIBLE FLAT (FFC-1023)
707	1-846-029-11	CABLE, FLEXIBLE FLAT (FFC-1022)
708	1-827-111-31	CORD WITH CONNECTOR
709	4-425-250-01	PLATE, ROSSETTE

Ref. No.	Part No.	Description
710	2-178-804-01	BELT, GRIP
711	3-079-115-01	TAPE AS
#49	2-630-005-31	SCREW (M2), NEW TRUSTER, P2
#50	2-891-494-11	SCREW (M2), NEW TRUSTER, P2
#53	3-080-206-21	SCREW, TAPPING, P2

NEX-FS700/FS700K/FS700C/FS700CK/FS700E/FS700EK/FS700J/FS700JK/FS700R/FS700RH/FS700U/FS700UK

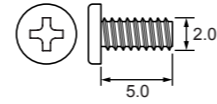
2-1-16. VF SECTION

ns : not supplied



Screw

#53: M2.0 X 5.0 (Tapping)
(Black)
3-080-206-21



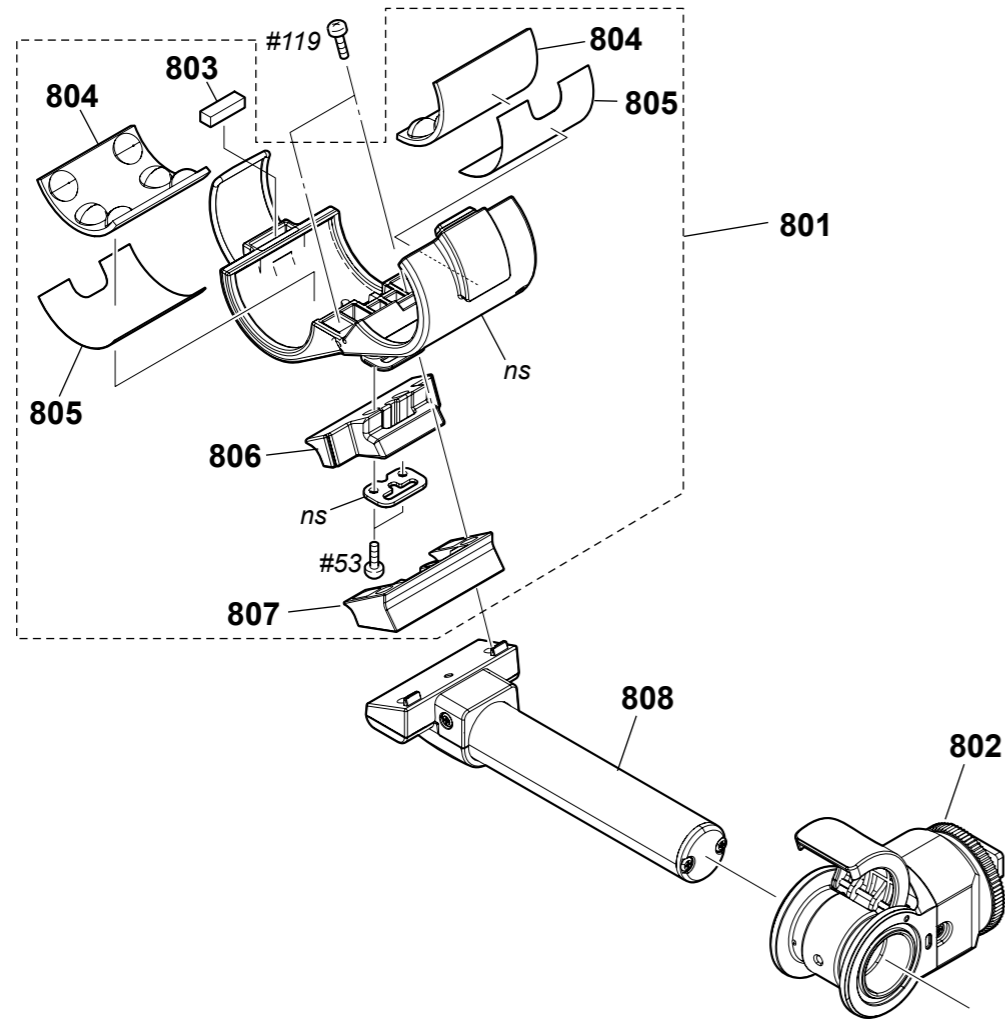
Ref. No.	Part No.	Description
751	A-1826-121-A	VF BLOCK ASSY
752	X-2581-583-1	VF FRONT ASSY
753	X-2581-584-1	VF REAR ASSY
754	4-269-216-01	BASE (R), HINGE
755	4-269-215-01	BASE (L), HINGE

Ref. No.	Part No.	Description
756	4-269-214-01	JOINT, VF REAR
757	X-2581-585-1	LOUPE ASSY, VF
758	3-878-208-02	EYE CUP
#53	3-080-206-21	SCREW, TAPPING, P2

NEX-FS700/FS700K/FS700C/FS700CK/FS700E/FS700EK/FS700J/FS700JK/FS700R/FS700RH/FS700U/FS700UK

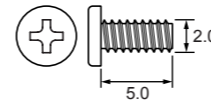
2-1-17. MICROPHONE HOLDER SECTION

ns : not supplied

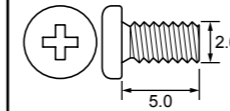


Screw

#53: M2.0 X 5.0 (Tapping)
(Black)
3-080-206-21



#119: M2.6 X 5.0
(Black)
7-627-556-58

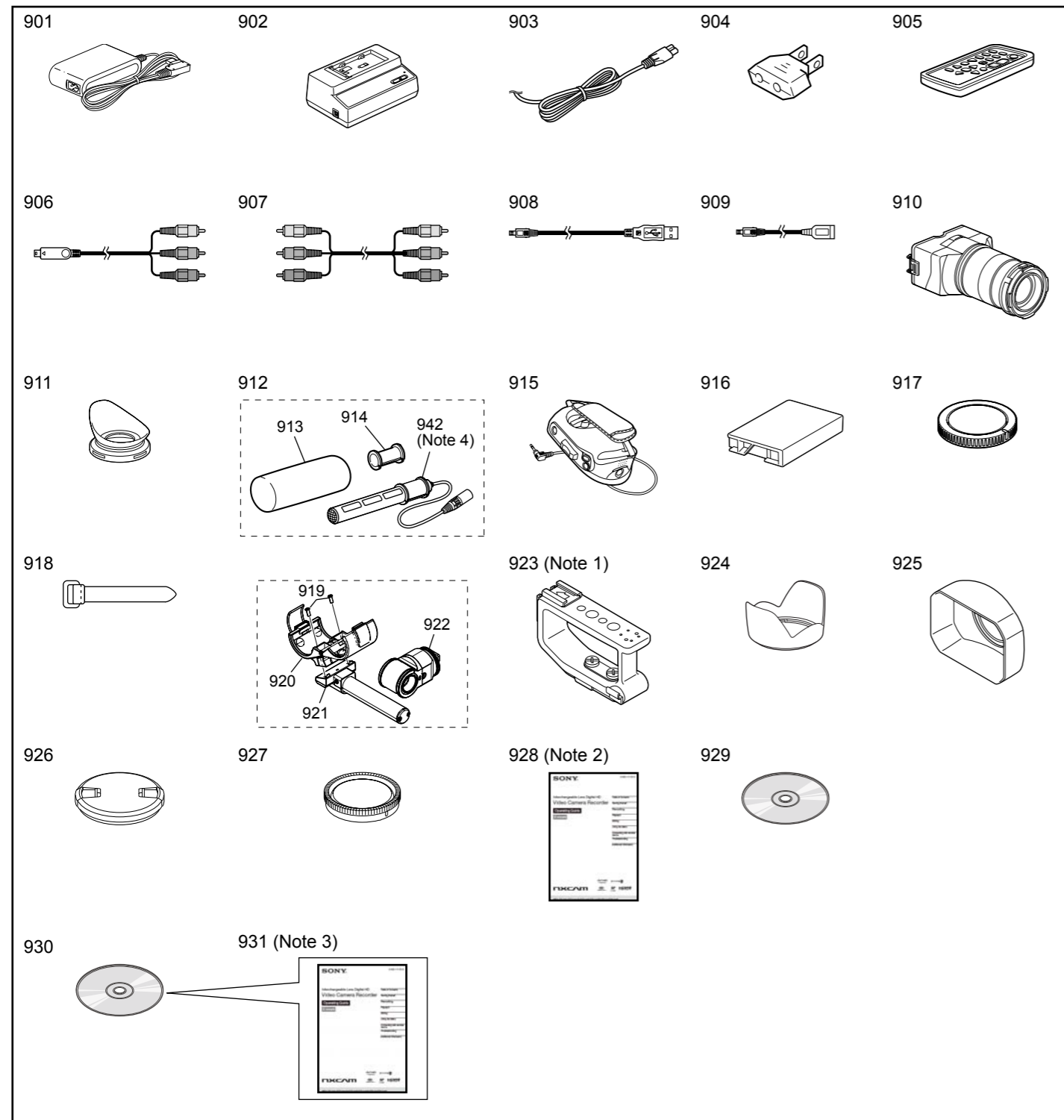


Ref. No.	Part No.	Description
801	X-2342-570-1	HOLDER (93000) ASSY,MICROPHONE
802	X-2584-339-1	ADAPTOR ASSY, MICROPHONE
803	3-284-621-11	CUSHION, MICROPHONE HOLDER
804	3-284-080-01	RUBBER, MICROPHONE
805	3-284-081-11	SHEET, RUBBER ADHESIVE
806	4-119-861-01	RUBBER (93000), HOLDER
807	3-284-075-02	COVER, MICROPHONE HOLDER RUBBER
808	X-2581-582-1	BAR ASSY, MIC

Ref. No.	Part No.	Description
#53	3-080-206-21	SCREW, TAPPING, P2
#119	7-627-556-58	SCREW +P 2.6X5

• EXCEPT J MODEL

ACCESSORIES



Ref. No.	Part No.	Description
△ 901	1-487-153-42	AC Adaptor (AC-PW10) (EXCEPT US, CND)
△ 901	1-487-153-51	AC Adaptor (AC-PW10) (US, CND)
△ 902	1-487-539-11	Charger (AC-VL1)
△ 903	1-832-121-31	Power cord (mains lead) (CH)
△ 903	1-834-482-21	Power cord (mains lead) (AEP, E)
△ 903	1-838-710-21	Power cord (mains lead) (US, CND)
△ 904	1-569-008-12	Conversion (2P) Adaptor (E)
905	1-487-540-11	Wireless Remote Commander (RMT-845)
906	1-829-414-61	Component video cable
907	1-828-145-21	A/V connecting cable
908	1-835-993-31	USB cable
909	1-837-533-11	USB Adaptor cable
910	A-1826-121-A	Large LCD viewfinder
911	3-878-208-02	Large eyecup
912	1-542-749-12	Wind Screen, Microphone (ECM-XM1)
913	3-048-481-01	Wind Screen
* 914	3-179-882-01	Microphone Spacer
915	A-1885-363-A	Grip (EXCEPT US, CND)
915	A-1885-364-A	Grip (US, CND)
* 916	4-284-136-01	Flash memory unit jack cover
917	4-188-536-01	Body cap
918	4-425-302-01	Cable stopper
919	7-627-556-58	SCREW +P 2.6X5
920	X-2342-570-1	Microphone holder
921	X-2581-582-1	Microphone bar
922	X-2584-339-1	Microphone adaptor
923	(Note 1)	Handle
924	4-164-537-01	Lens hood (FS700K/FS700CK/FS700EK/FS700JK/FS700UK)
925	4-440-208-02	Lens hood (FS700RH)
926	X-2548-649-1	Front lens cap (FS700RH)
927	4-159-701-03	Rear lens cap (FS700RH)

Ref. No.	Part No.	Description
		FS700/FS700K/FS700C/FS700CK/FS700E/FS700EK/FS700J/FS700JK/FS700U/FS700UK
928	4-424-110-01	Operating Guide (JAPANESE) (Note 2)
929	4-433-085-01	CD-ROM "Content Management Utility"
930	4-424-108-01	CD-ROM "Manuals for Interchangeable Lens Digital HD Video Camera Recorder"
931	4-424-110-01	Operating Guide (PDF) (JAPANESE) (Note 3)
* 931	4-424-110-21	Operating Guide (PDF) (FRENCH) (US, CND) (Note 3)
* 931	4-424-111-11	Operating Guide (PDF) (ENGLISH) (Note 3)
* 931	4-424-111-21	Operating Guide (PDF) (SIMPLIFIED CHINESE) (Note 3)
* 931	4-424-111-31	Operating Guide (PDF) (FRENCH) (AEP) (Note 3)
* 931	4-424-111-41	Operating Guide (PDF) (SPANISH) (Note 3)
* 931	4-424-111-51	Operating Guide (PDF) (ITALIAN) (Note 3)
* 931	4-424-111-61	Operating Guide (PDF) (GERMAN) (Note 3)
		FS700R/FS700RH
* 928	4-480-020-01	Operating Guide (JAPANESE) (Note 2)
* 928	4-480-021-11	Operating Guide (ENGLISH) (Note 2)
* 928	4-480-021-21	Operating Guide (SIMPLIFIED CHINESE) (Note 2)
* 930	4-480-018-01	CD-ROM "Manuals for Interchangeable Lens Digital HD Video Camera Recorder"
* 931	4-480-020-01	Operating Guide (PDF) (JAPANESE) (Note 3)
* 931	4-480-020-11	Operating Guide (PDF) (CANADIAN FRENCH) (Note 3)
* 931	4-480-021-11	Operating Guide (PDF) (ENGLISH) (Note 3)
* 931	4-480-021-21	Operating Guide (PDF) (SIMPLIFIED CHINESE) (Note 3)
* 931	4-480-021-31	Operating Guide (PDF) (FRENCH) (Note 3)
* 931	4-480-021-41	Operating Guide (PDF) (SPANISH) (Note 3)
* 931	4-480-021-51	Operating Guide (PDF) (ITALIAN) (Note 3)
* 931	4-480-021-61	Operating Guide (PDF) (GERMAN) (Note 3)

(Note 1)

Refer to EXPLODED VIEWS (2-1-1. OVERALL SECTION-1) on page 2-3 for HANDLE.

(Note 2)

(Only for destination Japanese model)
日本語, 英語, 韓国語, 中国語のみ部品供給可能です。

(Note 3)

The CD-ROM supplied contains all of language version of the Operating Instructions(PDF) for printing.
・ The printed handbook is not supplied. If required, please order it with the part number above.

This item is supplied with the unit as an accessory, but is not prepared as a service part.

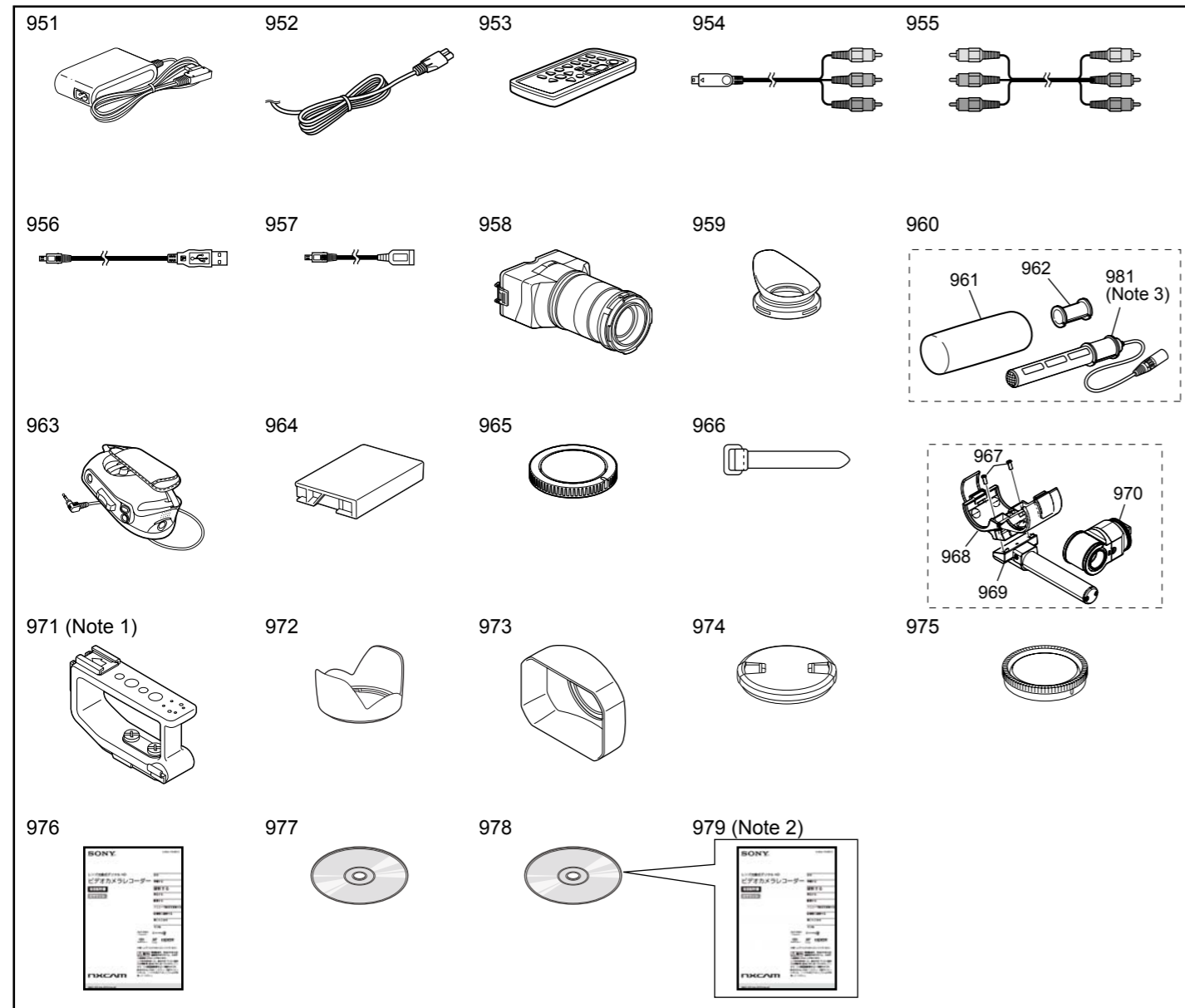


Ref. No.	Part No.	Description
△ 941	(Not supplied)	Rechargeable battery pack (NP-F770)
942	(Not supplied)	Microphone (Note 4)

(Note 4)

Microphone is not supplied, but this is included in Wind Screen, Microphone (ECM-XM1).

• J MODEL
付属品



Ref. No.	Part No.	Description
△ 951	1-487-153-42	ACアダプター (AC-PW10)
△ 952	1-836-110-11	電源コード
953	1-487-540-11	ワイヤレスリモコン (RMT-845)
954	1-829-414-61	コンポーネントビデオケーブル
955	1-828-145-21	A/V接続ケーブル
956	1-835-993-31	USBケーブル
957	1-837-533-11	USBアダプターケーブル
958	A-1826-121-A	大型LCDビューファインダー
959	3-878-208-02	大型アイカップ
960	1-542-749-12	ウインドスクリーン, マイク (ECM-XM1)
961	3-048-481-01	ウインドスクリーン
* 962	3-179-882-01	マイクスペーサー
963	A-1885-363-A	グリップ
* 964	4-284-136-01	フラッシュメモリーユニット端子カバー
965	4-188-536-01	ボディキャップ
966	4-425-302-01	ケーブル留め
967	7-627-556-58	ネジ +P 2.6X5
968	X-2342-570-1	マイクホルダー
969	X-2581-582-1	マイクバー
970	X-2584-339-1	マイクアダプター
971	(Note 1)	ハンドル
972	4-164-537-01	レンズフード (FS700JK)
973	4-440-208-02	レンズフード (FS700RH)
974	X-2548-649-1	レンズフロントキャップ (FS700RH)
975	4-159-701-03	レンズリヤキャップ (FS700RH)

Ref. No.	Part No.	Description
FS700J/FS700JK		
976	4-424-110-01	取扱説明書
977	4-433-085-01	CD-ROM「Content Management Utility」
978	4-424-108-01	CD-ROM「Manuals for Interchangeable Lens Digital HD Video Camera Recorder」
979	(Not supplied)	取扱説明書 (PDF) (Note 2)
FS700R/FS700RH		
* 976	4-480-020-01	取扱説明書
* 978	4-480-018-01	CD-ROM「Manuals for Interchangeable Lens Digital HD Video Camera Recorder」
979	(Not supplied)	取扱説明書 (PDF) (Note 2)

(Note 1)

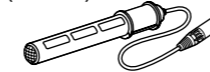
ハンドルについては2-3ページのEXPLODED VIEWS (2-1-1. OVERALL SECTION-1)を参照してください。

(Note 2)

取扱説明書(PDF)は全ての言語が付属品のCD-ROMに含まれていません。CD-ROM内の取扱説明書(PDF)につきましては印刷しての供給は対応していません。

当商品はアクセサリとして同梱されておりますがサービス用補修部品としては準備していません。

981 (Note 3)



Ref. No.	Part No.	Description
981	(Not supplied)	マイク (Note 3)

(Note 3)

マイクは単体での供給をしていませんが、ウインドスクリーン、マイク(ECM-XM1)に含まれています。